

Code: AS-80/CORAB-G

OFFSET ANTENNA **AS-80/CORAB-G** 80cm CORAB

Net: **107.31 PLN** Gross: **107.31 PLN**

Attention! When transporting single items, we are not responsible for damage to the dish.



SPECIFICATION

LNB holder:	Ø 40 mm
Maximal mast diameter:	Ø 50 mm
Gain :	<ul style="list-style-type: none">• 37.4 dBi @ 11.7 GHz,• 38.5 dBi @ 12.7 GHz
Color:	Graphite
Material:	Steel galvanized
Weight:	4.21 kg
Dimensions:	838 x 762 mm
Manufacturer / Brand:	CORAB
Guarantee:	2 years

PRESENTATION

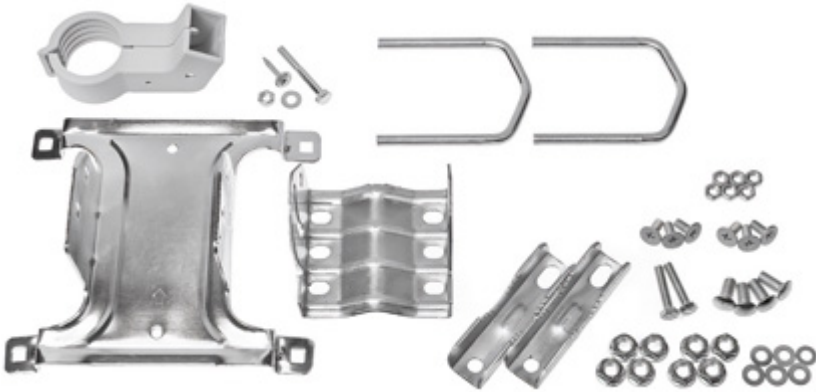
Mounting side view:



DELTA-OPTI Monika Matysiak; <https://www.delta.poznan.pl>
POL; 60-713 Poznań; Graniczna 10
e-mail: delta-opti@delta.poznan.pl; tel: +(48) 61 864 69 60



In the kit:



PACKAGE

Dimensions (L x W x H): 0x0x0 mm	Gross Weight: 0 kg
----------------------------------	--------------------



DELTA-OPTI Monika Matysiak; <https://www.delta.poznan.pl>
POL; 60-713 Poznań; Graniczna 10
e-mail: delta-opti@delta.poznan.pl; tel: +(48) 61 864 69 60