

Code: DT-1200AZ

ELECTROMAGNETIC LOCK DT-1200AZ

Net: 108.55 EUR Gross: 108.55 EUR

Electromagnetic lock, flush, single. With a simple design and modern manufacturing technology, is a reliable device to lock doors and gates. Force an entry closed by lock requires the use of force of > 1200 kg. It operates reversibly - it is open when power is off. The lock is composed of two elements: electromagnet and lock plate. Both the electromagnet and the lock plate should be inserted into the door structure - after installation they are invisible.

When energized, the electromagnet attracts the lock plate. A special protruding pin in the lock plate enters the hole of the main plate of the electromagnet. It is recommended that this electromagnetic lock works on shear and the very high holding force is derived from the force needed to shear the protruding pin.

Device is designed for indoor use only.



SPECIFICATION

Load capacity:	1200 kg
Rated voltage:	12 V DC / 24 V DC
Current consumption:	<ul style="list-style-type: none">• 1.8 A / 0.9 A - initial• 450 mA / 225 mA - continuous
Main features:	<ul style="list-style-type: none">• Internal flush mount• Configurable closing delay : 0 / 3 / 6 / 9 s - Set with DIP switches• The NO/NC output indicating opening the door• Maximum distance between the electromagnet and the lock plate : 3 mm
Weight:	1.39 kg (total)
Dimensions:	<ul style="list-style-type: none">• 268 x 35 x 31 mm (electromagnetic lock)• 268 x 35 x 31 mm (metal plate)
Guarantee:	2 years

PRESENTATION

DELTA-OPTI Monika Matysiak; <https://www.delta.poznan.pl>
POL; 60-713 Poznań; Graniczna 10
e-mail: delta-opti@delta.poznan.pl; tel: +(48) 61 864 69 60



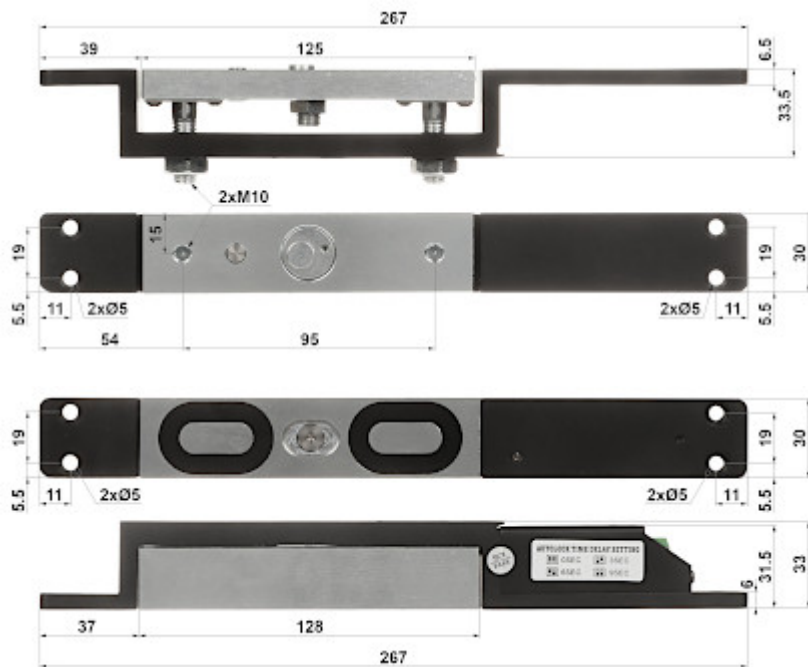
Connectors description:



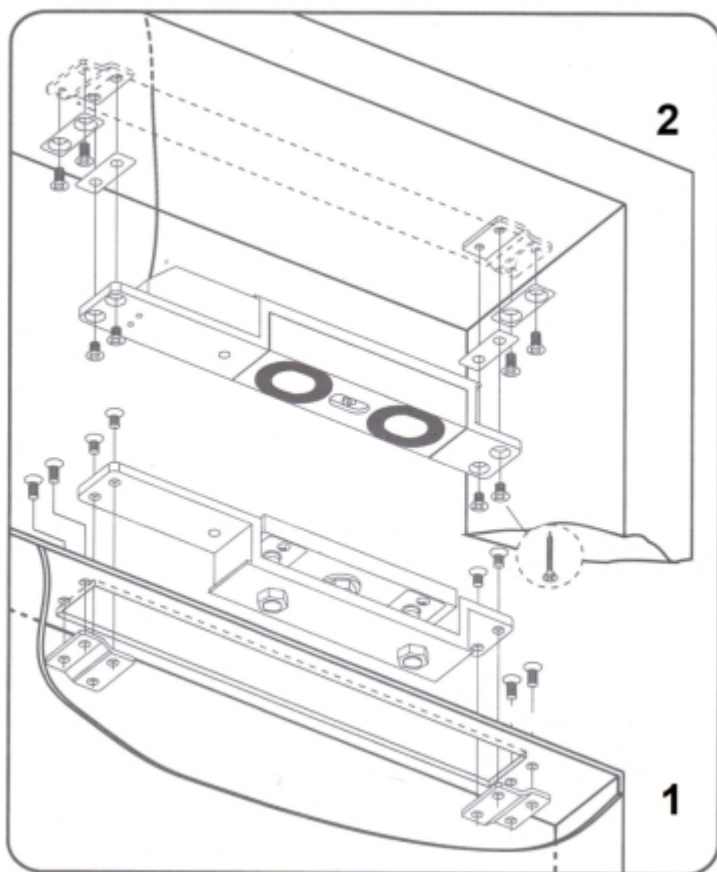
Connectors:



Dimensions:



Typical operation diagram:

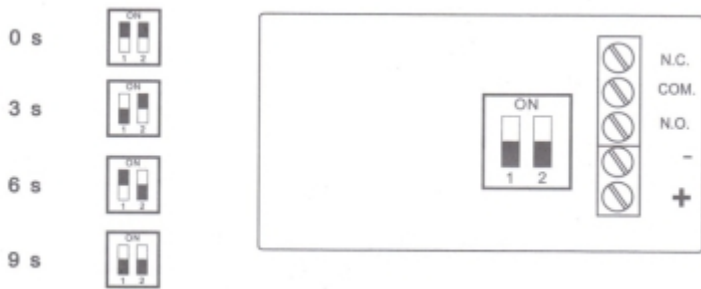


1. Door

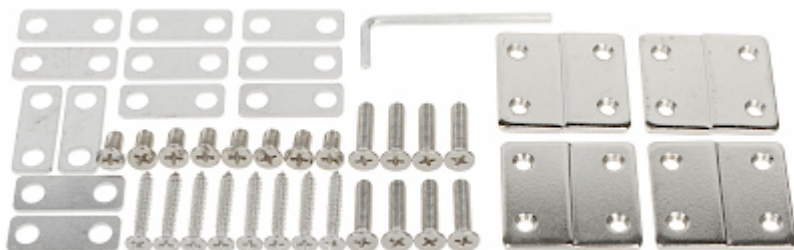
2. Door-frame

Description the settings of configuration switches:

Adjustable re-lock delay:



In the kit:



PACKAGE

Dimensions (L x W x H): 0x0x0 mm	Gross Weight: 0 kg
----------------------------------	--------------------