

Code: ATLO-BML-271

L-BRACKET ATLO-BML-271

Net: 14.07 EUR Gross: 14.07 EUR

Mounting L-bracket for electromagnetic lock.



SPECIFICATION

Material:	Aluminum
Application:	ATLO-ML-271
Weight:	0.190 kg
Dimensions:	249 x 47 x 30 mm
Manufacturer / Brand:	ATLO
Guarantee:	3 years

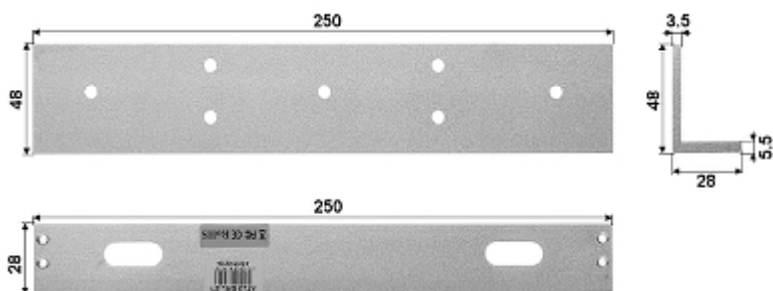
PRESENTATION



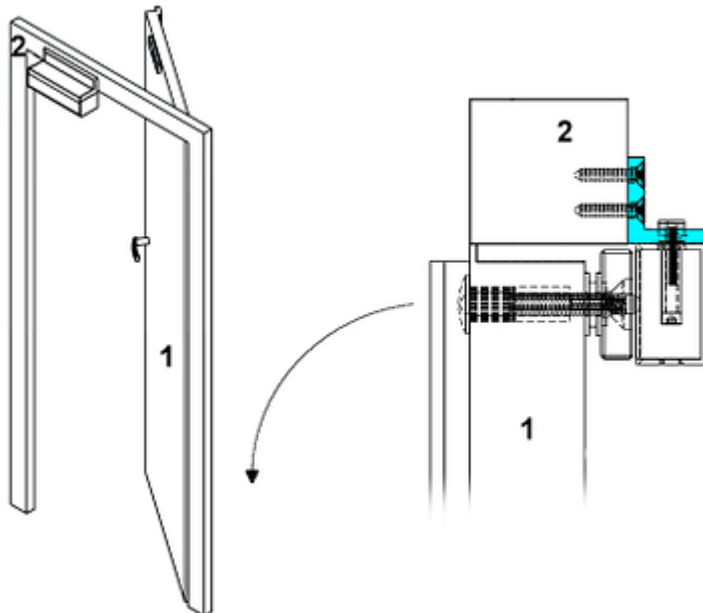
DELTA-OPTI Monika Matysiak; <https://www.delta.poznan.pl>
POL; 60-713 Poznań; Graniczna 10
e-mail: delta-opti@delta.poznan.pl; tel: +(48) 61 864 69 60



Dimensions:



Schematic diagram:

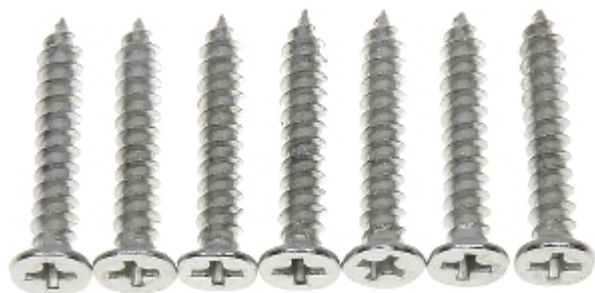


- 1. Door
- 2. Door-frame

Should pay attention to rubber pads mounted between the door and the movable element of the lock. These pads ensure proper fit the lock

elements with the door when it is closed.

In the kit:



PACKAGE

Dimensions (L x W x H): 0x0x0 mm	Gross Weight: 0 kg
----------------------------------	--------------------

