

Code: S12U

## ELECTRIC STRIKE **S12U** Hartte BIRA

Net: **65.16 PLN** Gross: **65.16 PLN**



The Hartte electric strikes S-series are the most universal in terms of use, equipped with many options and additional features. The latch is adjustable in the range of 4 mm.

They are built symmetrically - fit perfectly to left and right doors of various types. They cooperate properly with all other elements of access control systems and therefore they are often used in residential and multi-apartment buildings, offices and commercial buildings.

### SPECIFICATION

Rated voltage:	10 ... 14 V AC/DC
Current consumption:	570 mA @ 12 V DC 400 mA @ 12 V AC
Application:	right-side door / left-side door
Ratched lock:	—
Memory function:	—
Reverse action:	—
Clearance adjustment:	4 mm
Allowable load of the door impacting the lock:	3500 N
Allowable uninterrupted operation time:	—
Main features:	<ul style="list-style-type: none"><li>• Symmetrical housing</li><li>• Operation mode : NC</li><li>• Resistance : 21 <math>\Omega</math></li><li>• Number of opening cycles : 200000</li></ul>
Weight:	0.186 kg
Dimensions:	20.5 x 28.5 x 75 mm
Manufacturer / Brand:	BIRA
Guarantee:	2 years

### PRESENTATION

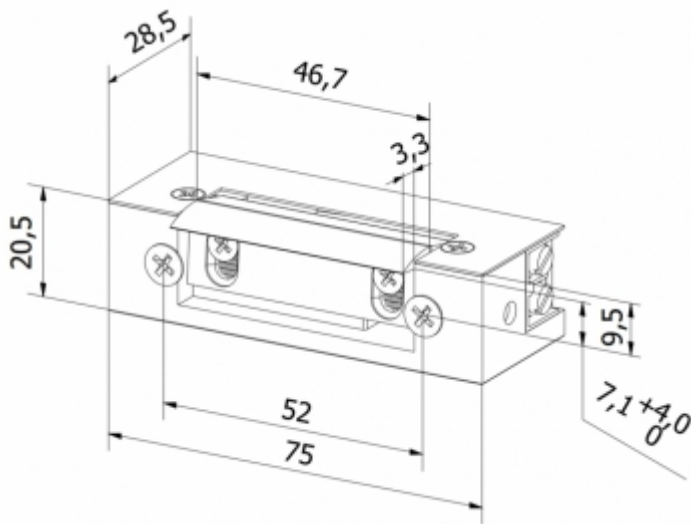
DELTA-OPTI Monika Matysiak; <https://www.delta.poznan.pl>  
POL; 60-713 Poznań; Graniczna 10  
e-mail: [delta-opti@delta.poznan.pl](mailto:delta-opti@delta.poznan.pl); tel: +(48) 61 864 69 60



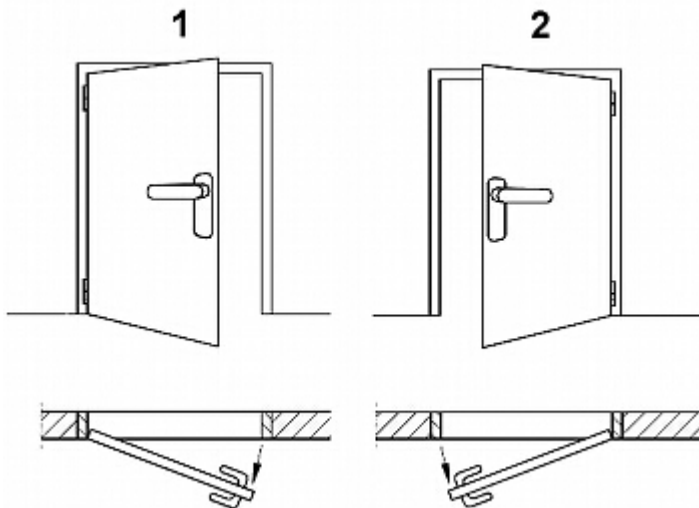
Connectors:



Dimensions:



Determination of the left- and right side doors:



- 1). right-side door
- 2). left-side door

**PACKAGE**



DELTA-OPTI Monika Matysiak; <https://www.delta.poznan.pl>  
POL; 60-713 Poznań; Graniczna 10  
e-mail: [delta-opti@delta.poznan.pl](mailto:delta-opti@delta.poznan.pl); tel: +(48) 61 864 69 60

Dimensions (L x W x H): 0x0x0 mm	Gross Weight: 0 kg
----------------------------------	--------------------

