

Code: XS12R-C

ELECTRIC STRIKE **XS12R-C** REVERSIBLE Hartte BIRA

Net: **31.14 EUR** Gross: **31.14 EUR**



The Hartte electric strikes XS-C-series feature integrated latch guide being a cover of the latch and allowing montage with no need of cut-out the door profile.

They are built symmetrically - fit perfectly to left and right doors of various types. Recommended especially for non-rebated doors. Radius latch (it is not outstanding out of electric strike outline) and adjustment in the range of 3.5 mm requires less punching, and making installation easier and quicker. It operates reversibly - it is open when power is off.

SPECIFICATION

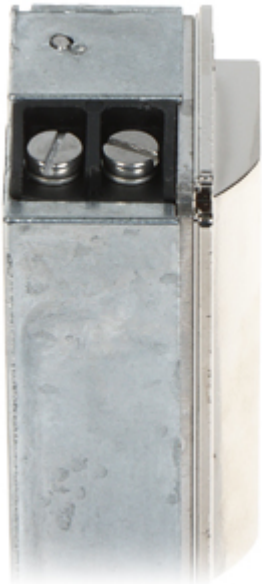
Rated voltage:	10 ... 14 V AC/DC
Current consumption:	480 mA @ 12 V AC 680 mA @ 12 V DC
Application:	right-side door / left-side door - for non-rebated doors
Ratched lock:	—
Memory function:	—
Reverse action:	✓
Clearance adjustment:	3.5 mm
Allowable load of the door impacting the lock:	3000 N
Allowable uninterrupted operation time:	—
Main features:	<ul style="list-style-type: none">• Symmetrical housing• Built-in latch guide,• Operation mode : NO• Resistance : 17.6 Ω• Number of opening cycles : 200000• Radial shape of the latch - when opening the latch is not going beyond the outline of electric strike
Weight:	0.164 kg
Dimensions:	19 x 28 x 67 mm
Manufacturer / Brand:	BIRA
Guarantee:	2 years

DELTA-OPTI Monika Matysiak; <https://www.delta.poznan.pl>
POL; 60-713 Poznań; Graniczna 10
e-mail: delta-opti@delta.poznan.pl; tel: +(48) 61 864 69 60

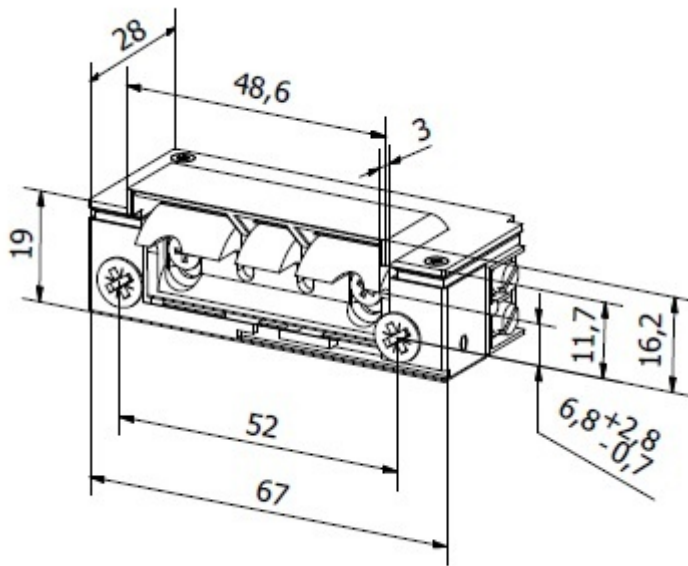
PRESENTATION



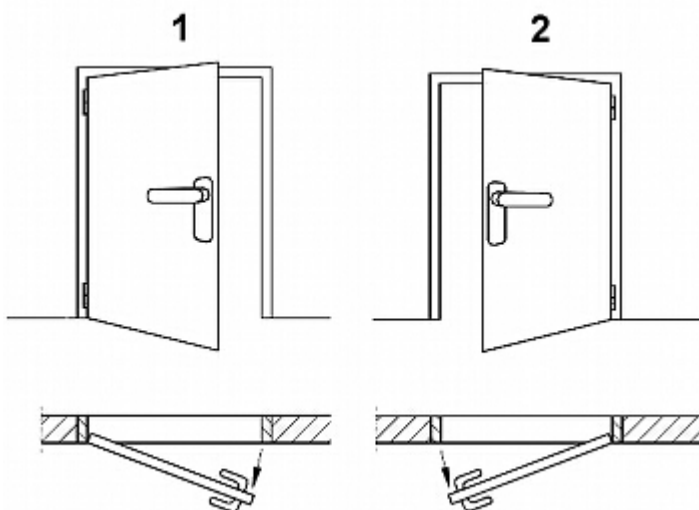
Connectors:



Dimensions:



Determination of the left- and right side doors:



- 1). right-side door
- 2). left-side door



DELTA-OPTI Monika Matysiak; <https://www.delta.poznan.pl>
 POL; 60-713 Poznań; Graniczna 10
 e-mail: delta-opti@delta.poznan.pl; tel: +(48) 61 864 69 60

PACKAGE

Dimensions (L x W x H): 0x0x0 mm	Gross Weight: 0 kg
----------------------------------	--------------------



DELTA-OPTI Monika Matysiak; <https://www.delta.poznan.pl>
POL; 60-713 Poznań; Graniczna 10
e-mail: delta-opti@delta.poznan.pl; tel: +(48) 61 864 69 60