

Code: XS12UPW

ELECTRIC STRIKE **XS12UPW** Hartte BIRA

Net: **19.79 EUR** Gross: **19.79 EUR**



The Hartte electric strikes XS-series are narrow (only 16.2 mm width) and have a small dimensions enabling mounting in narrow profiles and door frames.

They are built symmetrically - fit perfectly to left and right doors of various types. Radius latch (it is not outstanding out of electric strike outline) and adjustment in the range of 3.5 mm requires less punching, and making installation easier and quicker. The memory function allows to control the electric strike by applying a short voltage pulse, after the termination of it the electric strike is open until the first opening of the door.

SPECIFICATION

Rated voltage:	10 ... 14 V AC/DC
Current consumption:	480 mA @ 12 V AC 680 mA @ 12 V DC
Application:	right-side door / left-side door
Ratched lock:	Ability to release the lock permanently
Memory function:	✓
Reverse action:	—
Clearance adjustment:	3.5 mm
Allowable load of the door impacting the lock:	3000 N
Allowable uninterrupted operation time:	—
Main features:	<ul style="list-style-type: none">• Symmetrical housing• Narrow profile : 16.2 mm,• Operation mode : NC• Resistance : 17.6 Ω• Number of opening cycles : 200000• Radial shape of the latch - when opening the latch is not going beyond the outline of electric strike
Weight:	0.136 kg
Dimensions:	16.2 x 28 x 67 mm
Manufacturer / Brand:	BIRA
Guarantee:	2 years

DELTA-OPTI Monika Matysiak; <https://www.delta.poznan.pl>
POL; 60-713 Poznań; Graniczna 10
e-mail: delta-opti@delta.poznan.pl; tel: +(48) 61 864 69 60

PRESENTATION

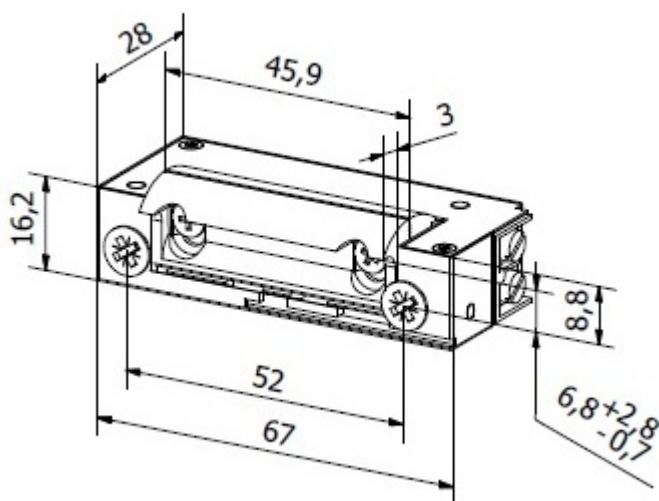




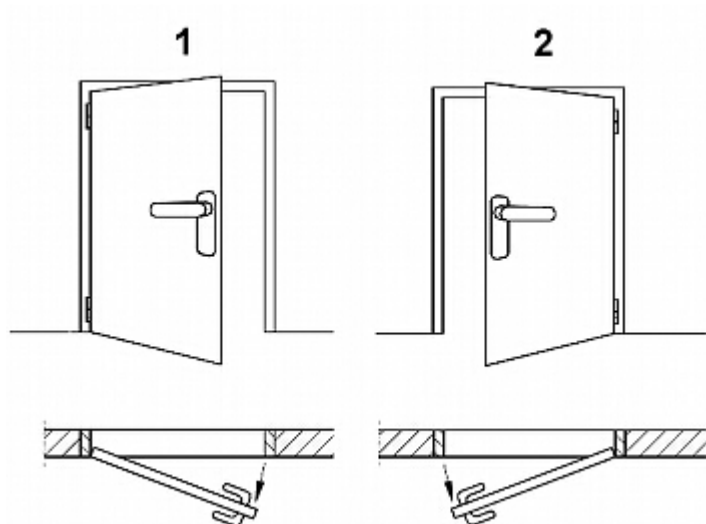
Connectors:



Dimensions:



Determination of the left- and right side doors:



- 1). right-side door
- 2). left-side door

PACKAGE

Dimensions (L x W x H): 0x0x0 mm	Gross Weight: 0 kg
----------------------------------	--------------------

