

Code: XS24R

## ELECTRIC STRIKE **XS24R** REVERSIBLE Hartte BIRA

Net: **25.86 EUR** Gross: **25.86 EUR**



The Hartte electric strikes XS-series are narrow (only 16.2 mm width) and have a small dimensions enabling mounting in narrow profiles and door frames.

They are built symmetrically - fit perfectly to left and right doors of various types. Radius latch (it is not outstanding out of electric strike outline) and adjustment in the range of 3.5 mm requires less punching, and making installation easier and quicker. It operates reversibly - it is open when power is off.

### SPECIFICATION

Rated voltage:	20 ... 26 V DC
Current consumption:	100 mA @ 24 V DC
Application:	right-side door / left-side door
Ratched lock:	—
Memory function:	—
Reverse action:	✓
Clearance adjustment:	3.5 mm
Allowable load of the door impacting the lock:	3000 N
Allowable uninterrupted operation time:	unlimited
Main features:	<ul style="list-style-type: none"><li>• Symmetrical housing</li><li>• Narrow profile : 16.2 mm,</li><li>• Operation mode : NO</li><li>• Resistance : 230 Ω</li><li>• Number of opening cycles : 200000</li><li>• Radial shape of the latch - when opening the latch is not going beyond the outline of electric strike</li></ul>
Weight:	0.136 kg
Dimensions:	16.2 x 28 x 67 mm
Manufacturer / Brand:	BIRA
Guarantee:	2 years

DELTA-OPTI Monika Matysiak; <https://www.delta.poznan.pl>  
POL; 60-713 Poznań; Graniczna 10  
e-mail: [delta-opti@delta.poznan.pl](mailto:delta-opti@delta.poznan.pl); tel: +(48) 61 864 69 60

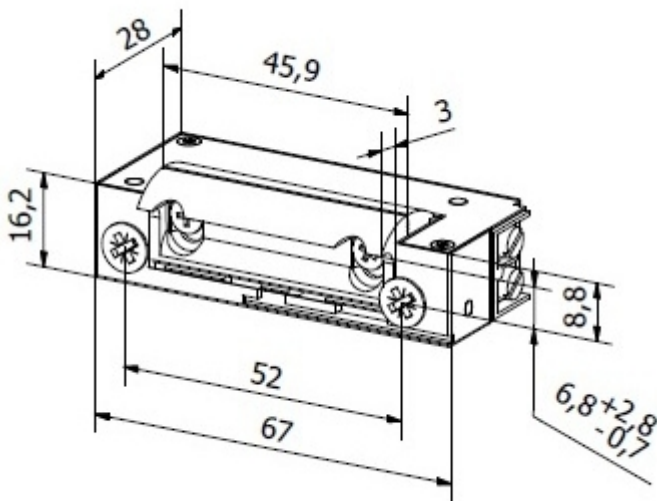
## PRESENTATION



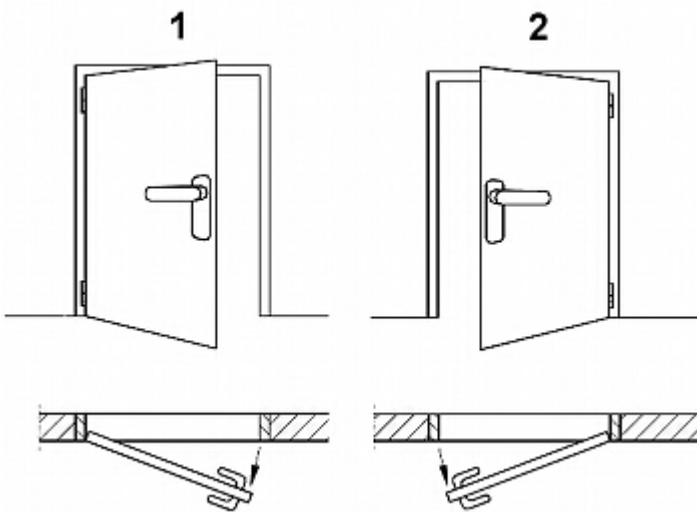
Connectors:



Dimensions:



Determination of the left- and right side doors:



- 1). right-side door
- 2). left-side door

#### PACKAGE

DELTA-OPTI Monika Matysiak; <https://www.delta.poznan.pl>  
POL; 60-713 Poznań; Graniczna 10  
e-mail: delta-opti@delta.poznan.pl; tel: +(48) 61 864 69 60

Dimensions (L x W x H): 0x0x0 mm	Gross Weight: 0 kg
----------------------------------	--------------------

