

Code: XS24U

ELECTRIC STRIKE **XS24U** Hartte BIRA

Net: **20.28 EUR** Gross: **20.28 EUR**



The Hartte electric strikes XS-series are narrow (only 16.2 mm width) and have a small dimensions enabling mounting in narrow profiles and door frames.

They are built symmetrically - fit perfectly to left and right doors of various types. Radius latch (it is not outstanding out of electric strike outline) and adjustment in the range of 3.5 mm requires less punching, and making installation easier and quicker.

SPECIFICATION

Rated voltage:	21 ... 26 V AC , 20 ... 26 V DC
Current consumption:	280 mA @ 24 V AC 400 mA @ 24 V DC
Application:	right-side door / left-side door
Ratched lock:	—
Memory function:	—
Reverse action:	—
Clearance adjustment:	3.5 mm
Allowable load of the door impacting the lock:	3000 N
Allowable uninterrupted operation time:	—
Main features:	<ul style="list-style-type: none">• Symmetrical housing• Narrow profile : 16.2 mm,• Operation mode : NC• Resistance : 60 Ω• Number of opening cycles : 200000• Radial shape of the latch - when opening the latch is not going beyond the outline of electric strike
Weight:	0.136 kg
Dimensions:	16.2 x 28 x 67 mm
Manufacturer / Brand:	BIRA

DELTA-OPTI Monika Matysiak; <https://www.delta.poznan.pl>
POL; 60-713 Poznań; Graniczna 10
e-mail: delta-opti@delta.poznan.pl; tel: +(48) 61 864 69 60

Guarantee:

2 years

PRESENTATION

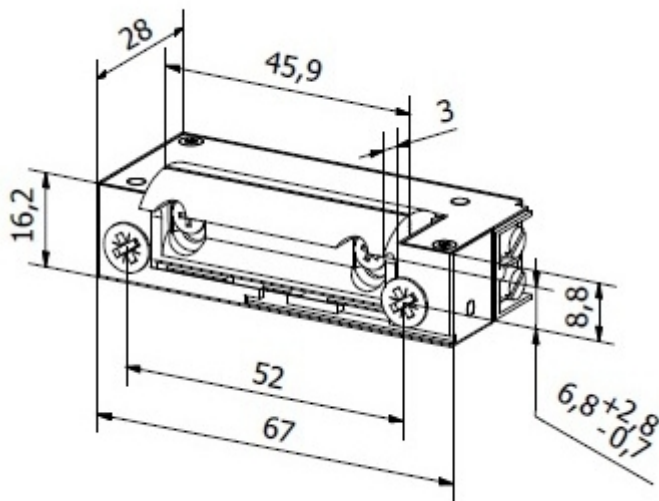


Connectors:

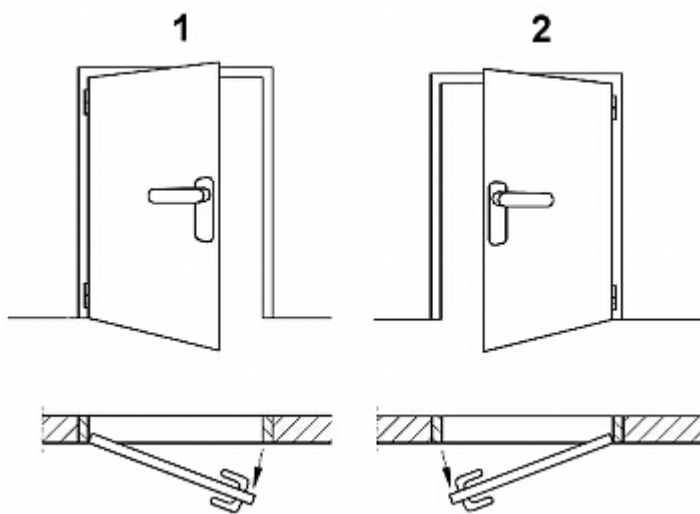
DELTA-OPTI Monika Matysiak; <https://www.delta.poznan.pl>
POL; 60-713 Poznań; Graniczna 10
e-mail: delta-opti@delta.poznan.pl; tel: +(48) 61 864 69 60



Dimensions:



Determination of the left- and right side doors:



- 1). right-side door
- 2). left-side door

PACKAGE

DELTA-OPTI Monika Matysiak; <https://www.delta.poznan.pl>
 POL; 60-713 Poznań; Graniczna 10
 e-mail: delta-opti@delta.poznan.pl; tel: +(48) 61 864 69 60

Dimensions (L x W x H): 0x0x0 mm	Gross Weight: 0 kg
----------------------------------	--------------------

