

Code: APTI-H13V2-36

## AHD, HD-CVI, HD-TVI, PAL CAMERA **APTI-H13V2-36** - 720p, 3.6 mm

Net: **21.38 EUR** Gross: **21.38 EUR**

Megapixel camera with 1/3" CMOS sensor and AHD / HD-CVI / HD-TVI / PAL.

The AHD / HD-CVI / HD-TVI interface allows to transmission of analog video signal via coaxial cable in 720p resolution. It enables the transmission of HD resolution images for even 500 m distance with keeping the low costs of the installation. During transmission there are no delays and is maintained the original, high quality image.

In the case of video transmission using a twisted pair cable and matching transformers (balun), be aware of the possibility of signal reflections and interfering signals.

The range of IR illumination according to the manufacturer data, depends on outer conditions (visibility - air transparency, environment, wall colors ie. scene reflectance).

Setting the camera in PAL mode allows to obtain an image in 960H resolution. The appropriate signal format selection is done by tilting and holding the joystick for 5 s without entering to the OSD menu. Changing the signal to the NTSC in the camera causes loss of image in connected AHD recorder.



### SPECIFICATION

|                                  |  |
|----------------------------------|--|
| Standard:                        | AHD, HD-CVI, HD-TVI, PAL   |
| Sensor:                          | 1/3 " Progressive Scan CMOS  |
| Matrix size:                     | 1.3 Mpx  |
| Resolution:                      | 1280 x 720 - 720p, AHD-M, HD-CVI, HD-TVI ,<br>960 x 576 - PAL  |
| Range of IR illumination:        | 20 m   |
| IR illuminator power adjustment: | Automatic  |
| Lens:                            | 3.6 mm   |
| View angle:                      | • 67 ° (manufacturer data)<br>• 60 ° (our tests result)  |
| S/N ratio:                       | > 35 dB  |
| Video output:                    | 1 Vpp 75 Ω, AHD, HD-CVI, HD-TVI, PAL - selectable by switch  |
| Main features:                   | • ICR - Movable InfraRed filter<br>• DNR - Digital Noise Reduction<br>• AGC - Automatic Gain Control<br>• Auto White Balance<br>• Sharpness - sharper image outlines |
| OSD menu:                        | ✓  |
| Power supply:                    | 12 V DC / 290 mA   |
| Housing:                         | Dome - Metal   |
| Color:                           | Graphite   |
| Vandal-proof:                    | ✓  |
| "Index of Protection":           | IP66   |

DELTA-OPTI Monika Matysiak; <https://www.delta.poznan.pl>  
POL; 60-713 Poznań; Graniczna 10  
e-mail: [delta-opti@delta.poznan.pl](mailto:delta-opti@delta.poznan.pl); tel: +(48) 61 864 69 60

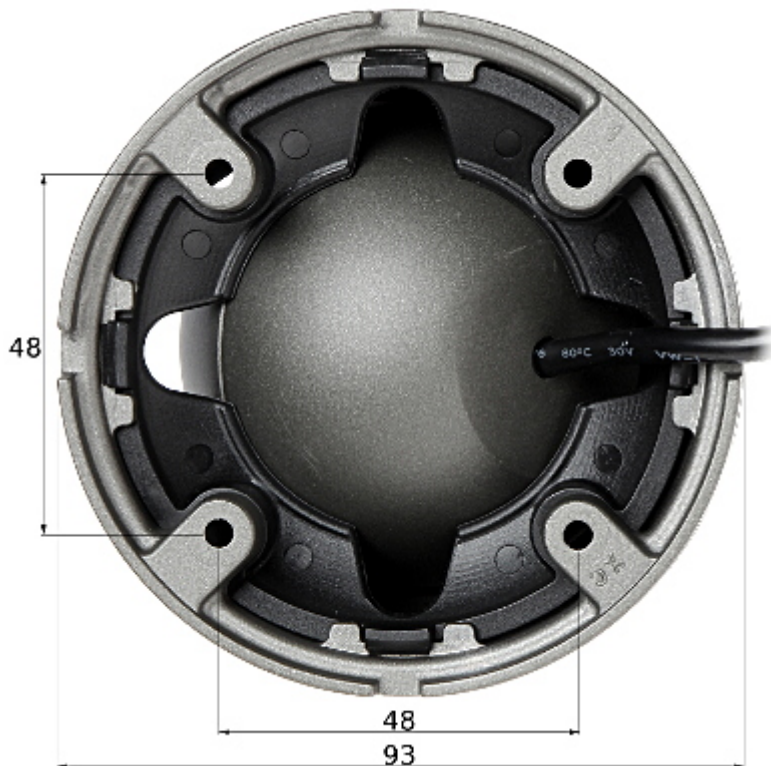
|                       |                  |
|-----------------------|------------------|
| Operation temp:       | -20 °C ... 50 °C |
| Weight:               | 0.28 kg          |
| Dimensions:           | Ø 93 x 79 mm     |
| Manufacturer / Brand: | APTI             |
| Guarantee:            | 2 years          |

## PRESENTATION

Camera is out from clamping ring (the OSD menu controller visible):

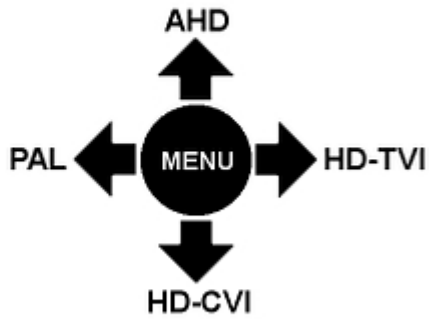


Mounting dimensions:

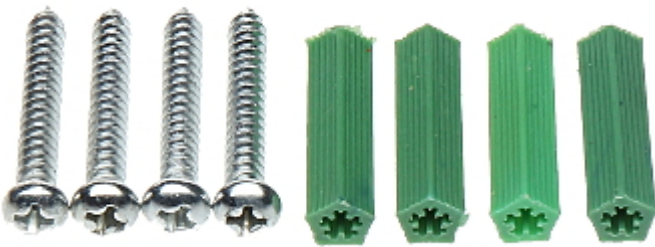


The change of the AHD / HD-CVI / HD-TVI / PAL standard is done with the corresponding button by keeping it pressed for approx. 5 seconds, without going into the OSD menu:





In the kit:



## OUR TESTS

AHD:

Camera image at artificial illumination (about 30Lux):



Camera image at night conditions with internal built-in IR illuminator on:



DELTA-OPTI Monika Matysiak; <https://www.delta.poznan.pl>  
POL; 60-713 Poznań; Graniczna 10  
e-mail: [delta-opti@delta.poznan.pl](mailto:delta-opti@delta.poznan.pl); tel: +(48) 61 864 69 60

Camera image at direct strong light opposite to camera:



HD-CVI:

Camera image at artificial illumination (about 30Lux):



Camera image at night conditions with internal built-in IR illuminator on:



Camera image at direct strong light opposite to camera:



HD-TVI:

Camera image at artificial illumination (about 30Lux):



Camera image at night conditions with internal built-in IR illuminator on:



Camera image at direct strong light opposite to camera:



## PACKAGE

|                                  |                    |
|----------------------------------|--------------------|
| Dimensions (L x W x H): 0x0x0 mm | Gross Weight: 0 kg |
|----------------------------------|--------------------|