

Code: DH-HAC-HDW1100EMP-A-

AHD, HD-CVI, HD-TVI, PAL VANDALPROOF CAMERA **DH-HAC-HDW1100EMP-A- 0360B** - 720p 3.6 mm DAHUA

Net: **200.00 PLN** Gross: **200.00 PLN**



Attention! The camera default setting is HD-CVI standard. To change the camera standard you need use the PFM820 controller, available separately.

Megapixel camera with 1/3" CMOS sensor and AHD / HD-CVI / HD-TVI / PAL.

The range of IR illumination according to the manufacturer data, depends on outer conditions (visibility - air transparency, environment, wall colors ie. scene reflectance).

The AHD / HD-CVI / HD-TVI interface allows to transmission of analog video signal via coaxial cable in 720p resolution. It enables the transmission of HD resolution images for even 500 m distance with keeping the low costs of the installation. During transmission there are no delays and is maintained the original, high quality image.

Camera is according to IP67 Index of Protection norm.

SPECIFICATION

Standard:	AHD, HD-CVI, HD-TVI, PAL
Sensor:	1/3 " Progressive Scan CMOS
Matrix size:	1.0 Mpx
Resolution:	1280 x 720 - 720p AHD, HD-CVI, HD-TVI 960 x 576 - 960H PAL
Range of IR illumination:	50 m
IR illuminator power adjustment:	Automatic
Lens:	3.6 mm
View angle:	• 72 ° (manufacturer data) • 78 ° (our tests result)
IR illuminator support:	ICR - Movable InfraRed filter
S/N ratio:	> 65 dB
Video output:	AHD / HD-CVI / HD-TVI / PAL, 1 Vpp / 75 Ω
Audio:	Microphone built-in

Main features:	<ul style="list-style-type: none"> • D-WDR - Wide Dynamic Range • 2D-DNR - Digital Noise Reduction • BLC/HLC - Back Light / High Light Compensation • ICR - Movable InfraRed filter • Sharpness - sharper image outlines • AGC - Automatic Gain Control • Privacy zones • Mirror - Mirror image • Auto White Balance • To change the standard, in which the camera is operating, the PFM820 controller is required
OSD menu:	✓, OSD menu available via DAHUA recorder
"Index of Protection":	IP67
Power supply:	12 V DC / 240 mA
Power consumption:	≤ 2.9 W
Housing:	Dome, Metal
Vandal-proof:	✓
Color:	White
Operation temp:	-40 °C ... 60 °C
Weight:	0.43 kg
Dimensions:	Ø 106 x 94 mm
Manufacturer / Brand:	DAHUA
Guarantee:	3 years

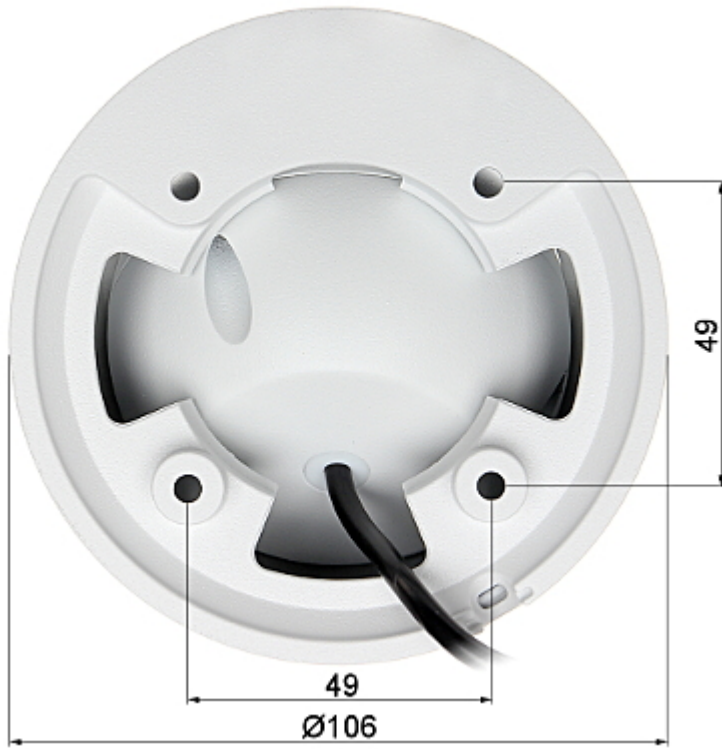
PRESENTATION

Camera is out from clamping ring:



Mounting side view:





In the kit:



OUR TESTS

AHD:

Camera image at artificial illumination (about 30Lux):



Camera image at night conditions with internal built-in IR illuminator on:



DELTA-OPTI Monika Matysiak; <https://www.delta.poznan.pl>
 POL; 60-713 Poznań; Graniczna 10
 e-mail: delta-opti@delta.poznan.pl; tel: +(48) 61 864 69 60

Camera image at direct strong light opposite to camera:



HD-CVI:

Camera image at artificial illumination (about 30Lux):



Camera image at night conditions with internal built-in IR illuminator on:



Camera image at direct strong light opposite to camera:



HD-TVI:

Camera image at artificial illumination (about 30Lux):



Camera image at night conditions with internal built-in IR illuminator on:



Camera image at direct strong light opposite to camera:



PACKAGE

Dimensions (L x W x H): 0x0x0 mm	Gross Weight: 0 kg
----------------------------------	--------------------