

Code: DH-HAC-HDW1200EMP-A

AHD, HD-CVI, HD-TVI, PAL VANDALPROOF CAMERA **DH-HAC-HDW1200EMP-A -0360B - 1080p 3.6 mm DAHUA**

Net: **210.00 PLN** Gross: **210.00 PLN**



Megapixel camera with 1/2.7" CMOS sensor and AHD / HD-CVI / HD-TVI / PAL.

Attention! The camera default setting is HD-CVI standard. To change the camera standard you need use the PFM820 controller, available separately.

The AHD / HD-CVI / HD-TVI interface allows to transmission of analog video signal via coaxial cable in 1080p resolution. It enables the transmission of HD resolution images for even 500 m distance with keeping the low costs of the installation. During transmission there are no delays and is maintained the original, high quality image.

In the case of video transmission using a twisted pair cable and matching transformers (balun), be aware of the possibility of signal reflections and interfering signals.

Camera is according to IP66 Index of Protection norm.

SPECIFICATION

Standard:	AHD / HD-CVI / HD-TVI / PAL
Sensor:	1/2.7 " CMOS
Matrix size:	2.0 Mpx
Resolution:	1920 x 1080 - 1080p 1280 x 720 - 720p
Range of IR illumination:	50 m
IR illuminator power adjustment:	Automatic
Lens:	3.6 mm, F2.0
View angle:	83 °
IR illuminator support:	ICR - Movable InfraRed filter
S/N ratio:	> 65 dB
Video output:	AHD / HD-CVI / HD-TVI / CVBS, 1 Vpp / 75 Ω
Main features:	<ul style="list-style-type: none">• Microphone built-in• ICR - Movable InfraRed filter• D-WDR - Wide Dynamic Range• DNR - Digital Noise Reduction• BLC - configurable Back Light Compensation• HLC - High Light Compensation (spot)• Mirror - Mirror image• Auto White Balance
OSD menu:	OSD menu available via DAHUA recorder

DELTA-OPTI Monika Matysiak; <https://www.delta.poznan.pl>
POL; 60-713 Poznań; Graniczna 10
e-mail: delta-opti@delta.poznan.pl; tel: +(48) 61 864 69 60

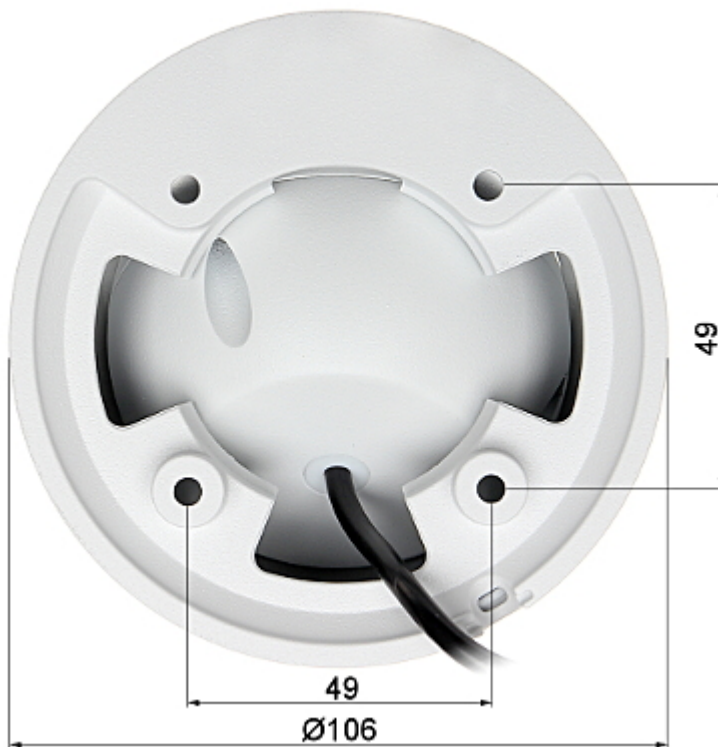
"Index of Protection":	IP67
Power supply:	12 V DC / 240 mA
Housing:	Dome, Metal
Vandal-proof:	✓
Color:	White
Operation temp:	-40 °C ... 60 °C
Weight:	0.43 kg
Dimensions:	Ø 106 x 94 mm
Manufacturer / Brand:	DAHUA
Guarantee:	3 years

PRESENTATION

Camera is out from clamping ring:



Dimensions:



In the kit:



OUR TESTS

AHD:

Camera image at artificial illumination (about 30Lux):



Camera image at night conditions with internal built-in IR illuminator on:



Camera image at direct strong light opposite to camera:



HD-CVI:

Camera image at artificial illumination (about 30Lux):



Camera image at night conditions with internal built-in IR illuminator on:



Camera image at direct strong light opposite to camera:



HD-TVI:

Camera image at artificial illumination (about 30Lux):



Camera image at night conditions with internal built-in IR illuminator on:



Camera image at direct strong light opposite to camera:



PACKAGE

Dimensions (L x W x H): 0x0x0 mm	Gross Weight: 0 kg
----------------------------------	--------------------

