

Code: APTI-H21V2-36

## AHD, HD-CVI, HD-TVI, PAL CAMERA **APTI-H21V2-36** - 1080p 3.6 mm

Net: **38.95 EUR** Gross: **38.95 EUR**

Megapixel camera with 1/2.7" CMOS sensor and AHD / HD-CVI / HD-TVI / PAL.

The AHD / HD-CVI / HD-TVI interface allows to transmission of analog video signal via coaxial cable in 1080p resolution. It enables the transmission of HD resolution images for even 500 m distance with keeping the low costs of the installation. During transmission there are no delays and is maintained the original, high quality image.

Setting the camera in PAL mode allows to obtain an image in 960H resolution.

The appropriate signal format selection is done by tilting and holding the joystick for 5 s without entering to the OSD menu. Changing the signal to the NTSC in the camera causes loss of image in connected AHD recorder.



### SPECIFICATION

Standard:	AHD, HD-CVI, HD-TVI, PAL
Sensor:	1/2.7 " Pixart CMOS
Digital Image Processor:	HTC1080
Matrix size:	2.1 Mpx
Resolution:	<ul style="list-style-type: none"><li>• 1920 x 1080 - 1080p, AHD-H, HD-CVI, HD-TVI</li><li>• 960 x 576 - PAL</li></ul>
Range of IR illumination:	20 m
IR illuminator power adjustment:	Automatic
Lens:	3.6 mm
View angle:	<ul style="list-style-type: none"><li>• 73 ° (manufacturer data)</li><li>• 89 ° (our tests result)</li></ul>
S/N ratio:	> 40 dB
Video output:	1 Vpp 75 Ω, AHD, HD-CVI, HD-TVI, PAL - selectable by switch
Main features:	<ul style="list-style-type: none"><li>• ICR - Movable InfraRed filter</li><li>• DNR - Digital Noise Reduction</li><li>• WDR - Wide Dynamic Range</li><li>• AGC - Automatic Gain Control</li><li>• Privacy zones</li><li>• Auto White Balance</li><li>• Sharpness - sharper image outlines</li></ul>
OSD menu:	✓
Vandal-proof:	✓

DELTA-OPTI Monika Matysiak; <https://www.delta.poznan.pl>  
POL; 60-713 Poznań; Graniczna 10  
e-mail: [delta-opti@delta.poznan.pl](mailto:delta-opti@delta.poznan.pl); tel: +(48) 61 864 69 60

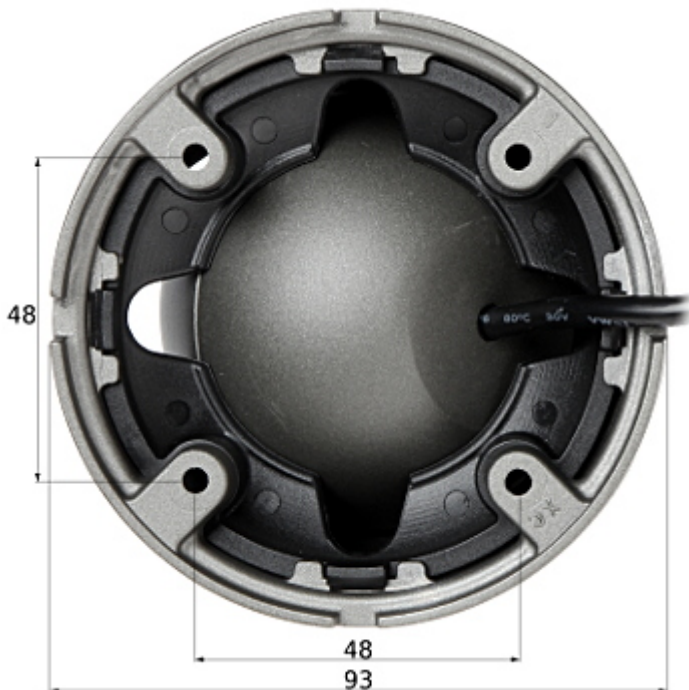
Power supply:	12 V DC / 320 mA
Power consumption:	≤ 3.8 W
Housing:	Dome - Metal
"Index of Protection":	IP66
Color:	Graphite
Manufacturer / Brand:	APTI
Operation temp:	-20 °C ... 50 °C
Weight:	0.28 kg
Dimensions:	Ø 93 x 69 mm
Guarantee:	2 years

## PRESENTATION

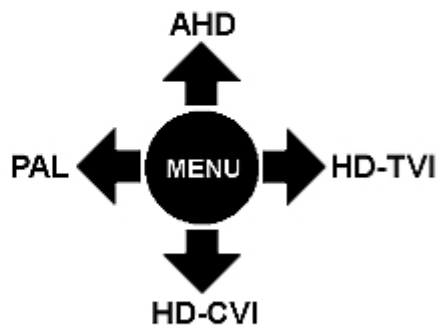
Camera is out from clamping ring (the OSD menu controller visible):



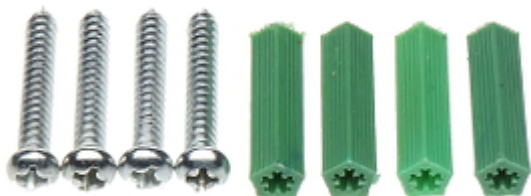
Mounting dimensions:



The appropriate signal format selection is done by tilting the joystick in the desired direction while switching voltage:



In the kit:



## OUR TESTS

AHD:

Camera image at artificial illumination (about 30Lux):



Camera image at night conditions with internal built-in IR illuminator on:



DELTA-OPTI Monika Matysiak; <https://www.delta.poznan.pl>  
POL; 60-713 Poznań; Graniczna 10  
e-mail: [delta-opti@delta.poznan.pl](mailto:delta-opti@delta.poznan.pl); tel: +(48) 61 864 69 60

Camera image at direct strong light opposite to camera:



HD-CVI:

Camera image at artificial illumination (about 30Lux):



Camera image at night conditions with internal built-in IR illuminator on:



Camera image at direct strong light opposite to camera:



HD-TVI:

Camera image at artificial illumination (about 30Lux):



Camera image at night conditions with internal built-in IR illuminator on:



Camera image at direct strong light opposite to camera:



## PACKAGE

Dimensions (L x W x H): 0x0x0 mm	Gross Weight: 0 kg
----------------------------------	--------------------