

Code: GT-CH21C3-36

AHD, HD-CVI, HD-TVI, PAL CAMERA **GT-CH21C3-36** - 1080p 3.6 mm GEMINI TECHNOLOGY

Net: **88.00 PLN** Gross: **88.00 PLN**

Megapixel camera with 1/2.9" Sony CMOS sensor and AHD / HD-CVI / HD-TVI / PAL.

The AHD / HD-CVI / HD-TVI interface allows to transmission of analog video signal via coaxial cable in 1080p resolution. It enables the transmission of HD resolution images for even 500 m distance with keeping the low costs of the installation. During transmission there are no delays and is maintained the original, high quality image.

In the case of video transmission using a twisted pair cable and matching transformers (balun), be aware of the possibility of signal reflections and interfering signals.

Setting the camera in PAL mode allows to obtain an image in 960H resolution. The appropriate signal format selection is done by tilting and holding the joystick for 5 s without entering to the OSD menu. Changing the signal to the NTSC in the camera causes loss of image in connected AHD recorder.



SPECIFICATION

Standard:	AHD, HD-CVI, HD-TVI, PAL
Sensor:	1/2.9 " Sony CMOS IMX322
Digital Image Processor:	Nextchip NVP2441H
Matrix size:	2.1 Mpx
Resolution:	1920 x 1080 - 1080p, AHD-H, HD-CVI, HD-TVI , 960 x 576 - 960H, PAL
Lens:	3.6 mm, 3 Mpx
View angle:	<ul style="list-style-type: none">• 73 ° (manufacturer data)• 79 ° (our tests result)
Range of IR illumination:	15 m
IR illuminator power adjustment:	Automatic
Video output:	1 Vpp 75 Ω, AHD / HD-CVI / HD-TVI / PAL - selectable by switch
S/N ratio:	> 50 dB
OSD menu:	✓
Main features:	<ul style="list-style-type: none">• Sense-UP - (Slow Shutter) - Increase the sensor sensitivity max. x 30• D-WDR - Wide Dynamic Range• 2D-DNR / 3D-DNR - Digital Noise Reduction• F-DNR (Defog) - Reduction of image noise caused by precipitation• ICR - Movable InfraRed filter• Motion Detection - max. 4 zones• Privacy zones - max. 4• Day/Night mode (color/b&w/auto)• WB - White Balance (ATW/AWB/manual/indoor/outdoor)• BLC - configurable Back Light Compensation• HSBLC - High Light Compensation (spot)• Mirror - Mirror image• image "freeze"• Sharpness - sharper image outlines• Monitor type correction - LCD/CRT

DELTA-OPTI Monika Matysiak; <https://www.delta.poznan.pl>
POL; 60-713 Poznań; Graniczna 10
e-mail: delta-opti@delta.poznan.pl; tel: +(48) 61 864 69 60

Power supply:	12 V DC / 260 mA
Power consumption:	≤ 3.2 W
Housing:	Compact - Metal
Color:	Graphite
"Index of Protection":	IP66
Operation temp:	-20 °C ... 60 °C
Weight:	0.420 kg
Dimensions:	195 x 102 x 70 mm
Supported languages:	English, Chinese Traditional, Chinese Simplified, French, Spanish, Dutch, German, Polish, Portuguese, Russian, Turkish, Italian
Manufacturer / Brand:	GEMINI TECHNOLOGY
Guarantee:	2 years

PRESENTATION

Front view:



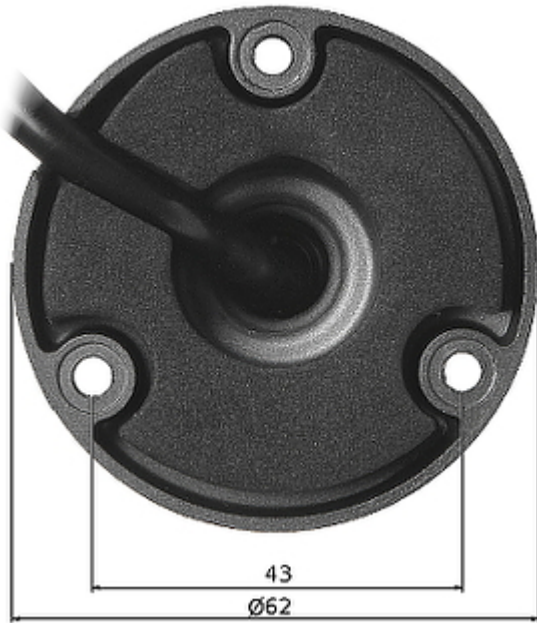
Side view:



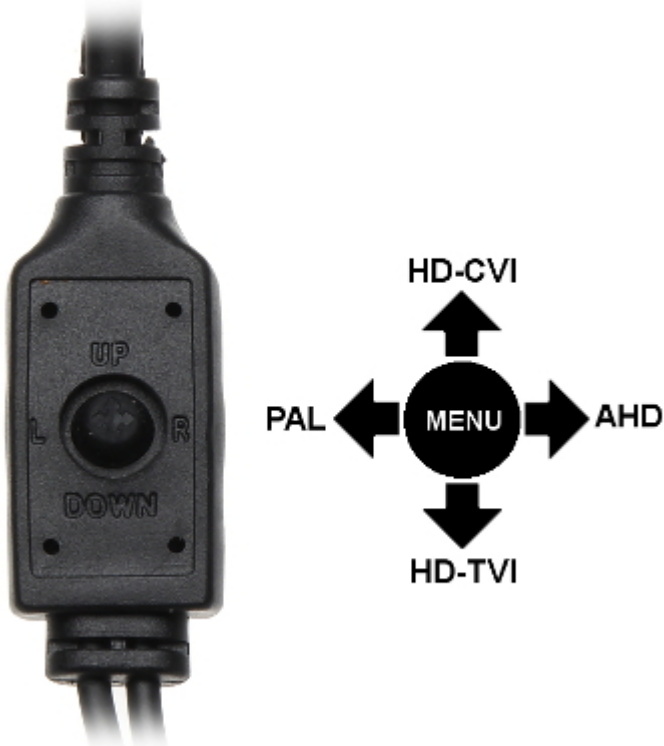
Mounting side view:



DELTA-OPTI Monika Matysiak; <https://www.delta.poznan.pl>
 POL; 60-713 Poznań; Graniczna 10
 e-mail: delta-opti@delta.poznan.pl; tel: +(48) 61 864 69 60



The appropriate signal format selection is done by tilting and holding the joystick for 5 s without entering to the OSD menu. Changing the signal to the NTSC in the camera causes loss of image in connected AHD recorder:



In the kit:



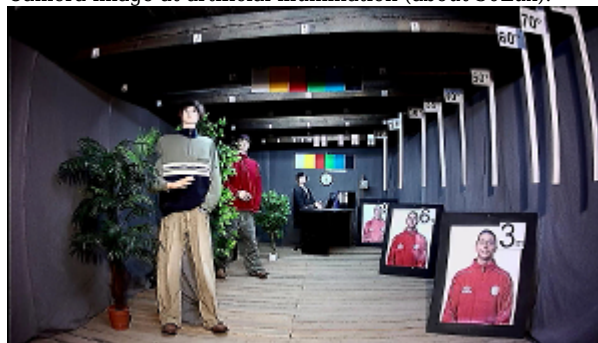
Package:



OUR TESTS

AHD:

Camera image at artificial illumination (about 30Lux):



Camera image at night conditions with internal built-in IR illuminator on:



Camera image at direct strong light opposite to camera:



DELTA-OPTI Monika Matysiak; <https://www.delta.poznan.pl>
POL; 60-713 Poznań; Graniczna 10
e-mail: delta-opti@delta.poznan.pl; tel: +(48) 61 864 69 60

HD-CVI:

Camera image at artificial illumination (about 30Lux):



Camera image at night conditions with internal built-in IR illuminator on:



Camera image at direct strong light opposite to camera:



HD-TVI:

Camera image at artificial illumination (about 30Lux):



Camera image at night conditions with internal built-in IR illuminator on:



Camera image at direct strong light opposite to camera:



PACKAGE

Dimensions (L x W x H): 0x0x0 mm	Gross Weight: 0 kg
----------------------------------	--------------------



DELTA-OPTI Monika Matysiak; <https://www.delta.poznan.pl>
POL; 60-713 Poznań; Graniczna 10
e-mail: delta-opti@delta.poznan.pl; tel: +(48) 61 864 69 60