

Code: DH-HAC-HFW1400T-A-02

AHD, HD-CVI, HD-TVI, PAL CAMERA **DH-HAC-HFW1400T-A-02** - 3.7 Mpx 2.8 mm DAHUA

Net: **248.00 PLN** Gross: **248.00 PLN**

Megapixel camera with 1/2.7" CMOS sensor and AHD / HD-CVI / HD-TVI / PAL.

The AHD / HD-CVI / HD-TVI interface allows to transmission of analog video signal via coaxial cable in max. 8 Mpx (4K UHD) resolution. During transmission there are no delays and is maintained the original, high quality image.

Camera is according to IP67 Index of Protection norm.

Attention! In 4 Mpx resolution camera works only with DAHUA recorders supporting that resolution.



SPECIFICATION

Standard:	AHD, HD-CVI, HD-TVI, PAL
Sensor:	1/2.7 " Progressive Scan CMOS
Matrix size:	4 Mpx
Resolution:	2560 x 1440 - 3.7 Mpx , 1920 x 1080 - 1080p 1280 x 720 - 720p 960 x 576 - 960H, PAL
Video output:	AHD / HD-CVI / HD-TVI / PAL - 1 Vpp / 75 Ω
Lens:	2.8 mm
View angle:	<ul style="list-style-type: none">• 97 ° (manufacturer data)• 94 ° (our tests result)
S/N ratio:	> 65 dB
Range of IR illumination:	30 m
IR illuminator power adjustment:	Automatic
IR illuminator support:	ICR - Movable InfraRed filter
Audio:	Microphone built-in - HD-CVI only

Main features:	<ul style="list-style-type: none"> • D-WDR - Wide Dynamic Range • 2D-DNR - Digital Noise Reduction • BLC/HLC - Back Light / High Light Compensation • ICR - Movable InfraRed filter • AGC - Automatic Gain Control • Privacy zones • Mirror - Mirror image • Auto White Balance • Sharpness - sharper image outlines
OSD menu:	OSD menu available via recorder
Power supply:	12 V DC / 330 mA
Power consumption:	≤ 4 W
Housing:	Compact, Aluminum
Color:	White
"Index of Protection":	IP67
Operation temp:	-40 °C ... 60 °C
Weight:	0.37 kg
Dimensions:	176 x 73 x 73 mm
Supported languages:	Polish, English, Chinese, French, Spanish, Japanese, Korean, German, Portuguese, Russian, Italian
Manufacturer / Brand:	DAHUA
Guarantee:	3 years

PRESENTATION

Front view:



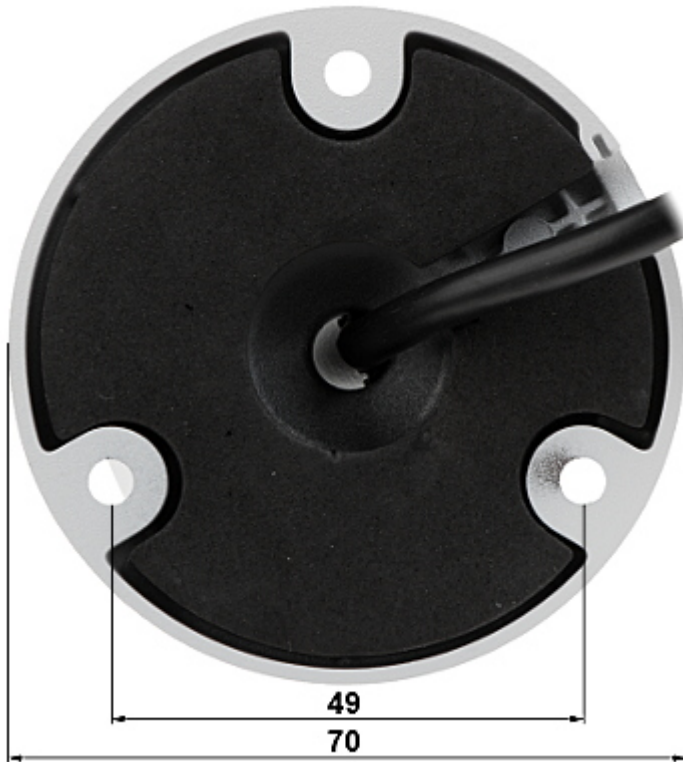
Side view:



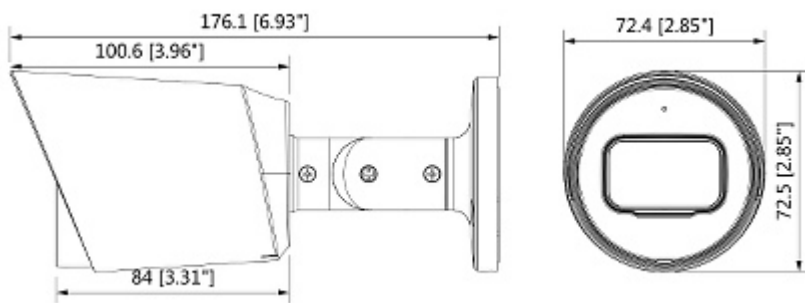
DELTA-OPTI Monika Matysiak; <https://www.delta.poznan.pl>
 POL; 60-713 Poznań; Graniczna 10
 e-mail: delta-opti@delta.poznan.pl; tel: +(48) 61 864 69 60



Mounting side view:



Dimensions:



In the kit:

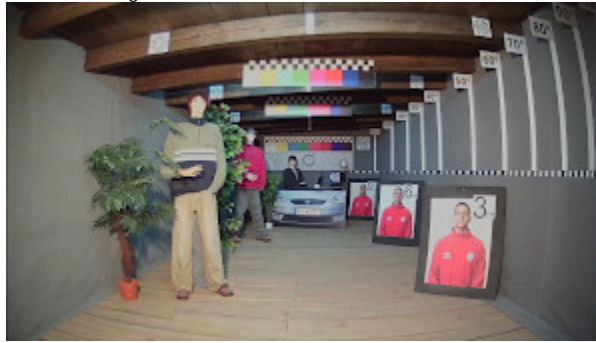


OUR TESTS

AHD:

DELTA-OPTI Monika Matysiak; <https://www.delta.poznan.pl>
POL; 60-713 Poznań; Graniczna 10
e-mail: delta-opti@delta.poznan.pl; tel: +(48) 61 864 69 60

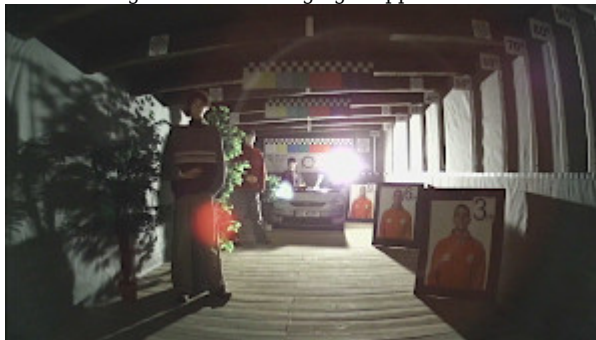
Camera image at artificial illumination (about 30Lux):



Camera image at night conditions with internal built-in IR illuminator on:



Camera image at direct strong light opposite to camera:



HD-CVI:

Camera image at artificial illumination (about 30Lux):



Camera image at night conditions with internal built-in IR illuminator on:



Camera image at direct strong light opposite to camera:



HD-TVI:

Camera image at artificial illumination (about 30Lux):



Camera image at night conditions with internal built-in IR illuminator on:



Camera image at direct strong light opposite to camera:



PACKAGE

Dimensions (L x W x H): 0x0x0 mm	Gross Weight: 0 kg
----------------------------------	--------------------