

Code: HAC-LC1200T-TH-0280B

# AHD, HD-CVI, HD-TVI, PAL CAMERA **HAC-LC1200T-TH-0280B** - 1080p 2.8 mm DAHUA

Net: **57.49 EUR** Gross: **57.49 EUR**

Megapixel camera with 1/2.7" CMOS sensor and AHD / HD-CVI / HD-TVI / PAL.

The AHD / HD-CVI / HD-TVI interface allows to transmission of analog video signal via coaxial cable in max. 8 Mpx (4K UHD) resolution. During transmission there are no delays and is maintained the original, high quality image.

In the case of video transmission using a twisted pair cable and matching transformers (balun), be aware of the possibility of signal reflections and interfering signals.

Attention! The camera default setting is HD-CVI standard. To change the camera standard you need use the PFM820 controller, available separately.

Camera is according to IP67 Index of Protection norm. The 3-Axis integrated camera bracket has a regulation in all three planes, which allows to turn the camera to any direction.

In addition to the standard functions, the device has also been adapted to work with advanced monitoring systems of the DAHUA brand that meet the objectives of the Internet of Things concept (IoT). The camera has a built-in thermometer and hygrometer. Readings from the sensors are sent together with the HD-CVI signal to the recorder via a coaxial cable. In addition, it is possible to display the reading from the sensors in the camera image (as OSD image). The recorder has the option of displaying the collected data in real time on the screen, putting them on the camera image, displaying the statistics, and also programming the alarm states in the case of eg opening the door, smoke detection or a rapid temperature increase.

**Attention!** The IoT functions work only with the recorders of the DHI-XVR7xxx-4KL series.



## SPECIFICATION

Standard:	AHD, HD-CVI, HD-TVI, PAL
Sensor:	1/2.9 " Progressive Scan CMOS
Matrix size:	2.1 Mpx
Resolution:	1920 x 1080 - 1080p - AHD, HD-CVI, HD-TVI 960 x 576 - 960H PAL
Lens:	2.8 mm
View angle:	• 104 ° (manufacturer data) • 101 ° (our tests result)
Range of IR illumination:	20 m
IR illuminator power adjustment:	Automatic
Video output:	AHD / HD-CVI / HD-TVI / PAL, 1 Vpp / 75 Ω
S/N ratio:	> 65 dB
OSD menu:	✓



DELTA-OPTI Monika Matysiak; <https://www.delta.poznan.pl>  
POL; 60-713 Poznań; Graniczna 10  
e-mail: [delta-opti@delta.poznan.pl](mailto:delta-opti@delta.poznan.pl); tel: +(48) 61 864 69 60

Main features:	<ul style="list-style-type: none"> <li>• Thermometer built-in</li> <li>• Built-in hygrometer</li> <li>• Displaying the reading from the sensors in the camera image (as OSD image)</li> <li>• Cooperation with Dahua devices working in the concept of the Internet of Things (IoT)</li> <li>• D-WDR - Wide Dynamic Range</li> <li>• 2D-DNR - Digital Noise Reduction</li> <li>• BLC/HLC - Back Light / High Light Compensation</li> <li>• ICR - Movable InfraRed filter</li> <li>• Sharpness - sharper image outlines</li> <li>• AGC - Automatic Gain Control</li> <li>• Privacy zones</li> <li>• Mirror - Mirror image</li> <li>• Auto White Balance</li> </ul>
Power supply:	12 V DC / 280 mA
Power consumption:	≤ 3.4 W
Housing:	Compact, Metal
Color:	White
"Index of Protection":	IP67
Operation temp:	-40 °C ... 60 °C
Weight:	0.4 kg
Dimensions:	176 x 85 x 75 mm
Manufacturer / Brand:	DAHUA
Guarantee:	<b>3 years</b>

## PRESENTATION

Front view:



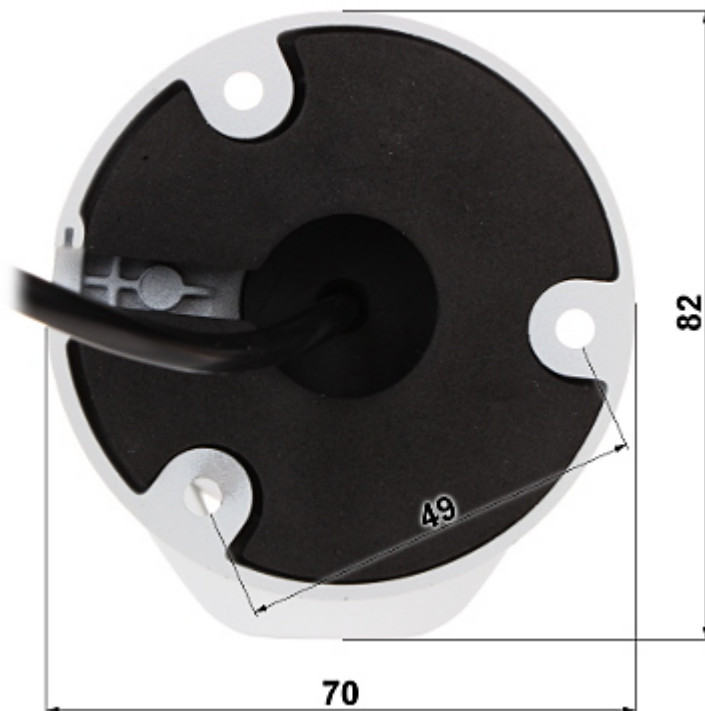
Side view:



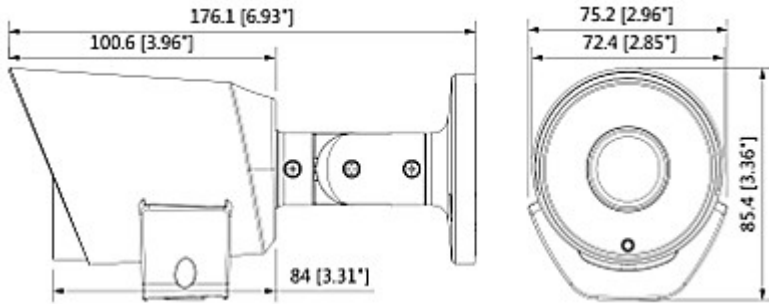
Bottom view:



Camera mounting side view:



Dimensions:



In the kit:



See the possibilities of using the Internet of Things (IoT) concept:

:

## OUR TESTS

AHD:

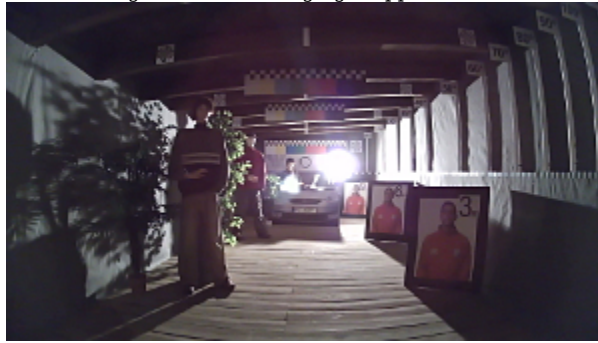
Camera image at artificial illumination (about 30Lux):



Camera image at night conditions with internal built-in IR illuminator on:



Camera image at direct strong light opposite to camera:



HD-CVI:

Camera image at artificial illumination (about 30Lux):



Camera image at night conditions with internal built-in IR illuminator on:



Camera image at direct strong light opposite to camera:



HD-TVI:



Camera image at artificial illumination (about 30Lux):



Camera image at night conditions with internal built-in IR illuminator on:



Camera image at direct strong light opposite to camera:



:

Reading from sensors displayed in the camera image as OSD:



## PACKAGE

Dimensions (L x W x H): 0x0x0 mm	Gross Weight: 0 kg
----------------------------------	--------------------