

Code: DS-2CD2143G2-I(4MM)

# IP VANDALPROOF CAMERA **DS-2CD2143G2-I(4MM)** ACUSENSE - 4 Mpx 4 mm Hikvision

Net: **939.00 PLN** Gross: **939.00 PLN**



IP camera with efficient H.264 / H.265 image compression algorithm for clear and smooth video streaming at maximal resolution of 4 MPx.

PoE powering possibility, compatible with the 802.3af standard makes the device more universal and easier to install.

Camera from AcuSense series.

## SPECIFICATION

Standard:	TCP/IP
Sensor:	1/3 " Progressive Scan CMOS
Matrix size:	4 Mpx
Scanning system:	Progressive
Resolution:	2688 x 1520 - 4 Mpx , 1920 x 1080 - 1080p , 1280 x 720 - 720p
Lens:	4 mm
View angle:	84 °
Range of IR illumination:	30 m
RS-485 interface:	—
Image compression method:	H.265+ / H.265 / H.264+ / H.264 / MJPEG
Alarm inputs / outputs:	—
Audio:	—
Memory card slot:	Micro SD memory cards up to 512GB support (possible local recording)
Main stream frame rate:	25 fps @ 4 Mpx
Network interface:	10/100 Base-T (RJ-45)
WEB Server:	Built-in
Max. number of on-line users:	6



DELTA-OPTI Monika Matysiak; <https://www.delta.poznan.pl>  
POL; 60-713 Poznań; Graniczna 10  
e-mail: [delta-opti@delta.poznan.pl](mailto:delta-opti@delta.poznan.pl); tel: +(48) 61 864 69 60

Mobile phones support:	Port no.: 8000 or access by a cloud (P2P) <ul style="list-style-type: none"> <li>• Android: Free application <a href="#">Hik-Connect</a></li> <li>• iOS (iPhone): Free application <a href="#">Hik-Connect</a></li> </ul>
Default admin user / password:	admin / -
Default IP address:	192.168.1.64
Web browser access ports:	80
PC client access ports:	Port no.: 8000 or access by a cloud (P2P) - iVMS-4200 application
Mobile client access ports:	8000
Port ONVIF:	80
RTSP URL:	<ul style="list-style-type: none"> <li>• Main stream : rtsp://user:password@192.168.1.64:554/Streaming/Channels/101/ - with authorization</li> <li>• Sub stream : rtsp://user:password@192.168.1.64:554/Streaming/Channels/102/ - with authorization</li> </ul>
Main features:	<ul style="list-style-type: none"> <li>• WDR - 120 dB - Wide Dynamic Range</li> <li>• 3D-DNR - Digital Noise Reduction</li> <li>• ROI - improve the quality of selected parts of image</li> <li>• ANR - Automatic Network Replenishment allows to save image to the card when the network connection with DVR is break (network failure) and next synchronize its</li> <li>• NAS - Network Attached Storage support - allows to connect memory resources directly to the computer network</li> <li>• BLC/HLC - Back Light / High Light Compensation</li> <li>• RESET button</li> <li>• Possibility to change the resolution, quality and bit rate</li> <li>• Sharpness - sharper image outlines</li> <li>• Motion Detection</li> <li>• Configurable Privacy Zones</li> <li>• Mirror - Mirror image</li> <li>• Day/night mode</li> <li>• ICR filter - IR illuminators support</li> <li>• WB - White Balance</li> <li>• AGC - Automatic Gain Control</li> <li>• EXIR - high-efficiency infrared LEDs technology, which evenly covers the whole plan of both central vantage points of the scene as well as the corners</li> <li>• Filtering of false alarms based on the recognition of persons and vehicles</li> <li>• Intelligent image analysis : crossing the line (tripwire), intrusion, face detection</li> </ul>
Power supply:	<ul style="list-style-type: none"> <li>• PoE (802.3af),</li> <li>• 12 V DC / 400 mA</li> </ul>
Power consumption:	<ul style="list-style-type: none"> <li>≤ 6.5 W @ PoE (802.3af)</li> <li>≤ 5 W @ 12 V DC</li> </ul>
Housing:	Dome, Metal
Vandal-proof:	IK10
"Index of Protection":	IP67
Color:	White
Operation temp:	-30 °C ... 60 °C
Weight:	0.53 kg
Dimensions:	Ø 111 x 85 mm
Supported languages:	Polish, English, Bulgarian, Croatian, Czech, Danish, Estonian, Finnish, French, Greek, Spanish, Dutch, Lithuanian, Latvian, German, Norwegian, Portuguese, Brazilian Portuguese, Russian, Romanian, Serbian, Slovak, Slovenian, Swedish, Turkish, Ukrainian, Hungarian, Vietnamese, Italian
Manufacturer / Brand:	Hikvision
SAP Code:	311313650
Guarantee:	<b>3 years</b>

## PRESENTATION

Camera view after remove the Dome cover:



DELTA-OPTI Monika Matysiak; <https://www.delta.poznan.pl>  
POL; 60-713 Poznań; Graniczna 10  
e-mail: delta-opti@delta.poznan.pl; tel: +(48) 61 864 69 60



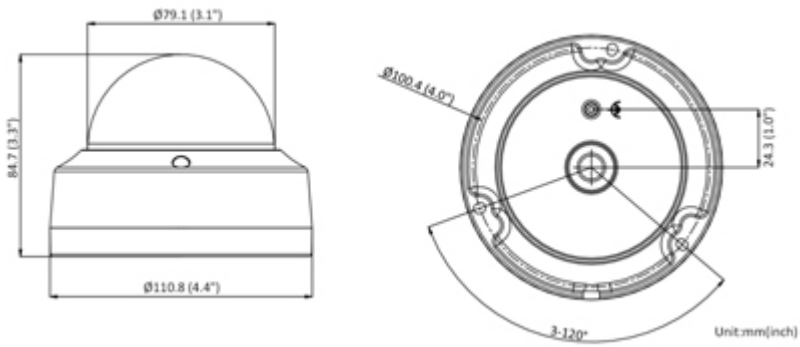
Memory card slot:



Mounting side view:



Camera dimensions:



In the kit:



**PACKAGE**

Dimensions (L x W x H): 0x0x0 mm	Gross Weight: 0 kg
----------------------------------	--------------------