

Code: DH-HAC-EBW3802P-0250

# HD-CVI VANDALPROOF CAMERA **DH-HAC-EBW3802P-0250** - 8.3 Mpx, 4K UHD 2.5 mm - Fish Eye DAHUA Net: **1 436.00 PLN** Gross: **1 436.00 PLN**

Megapixel camera with 1/2" CMOS sensor and HD-CVI (High Definition Composite Video Interface) / PAL.

The range of IR illumination according to the manufacturer data, depends on outer conditions (visibility - air transparency, environment, wall colors ie. scene reflectance).

The HD-CVI interface allows to transmission of analog video signal via coaxial cable in 3840 x 2160 - 8.3 Mpx resolution. During transmission there are no delays and is maintained the original, high quality image.



## SPECIFICATION

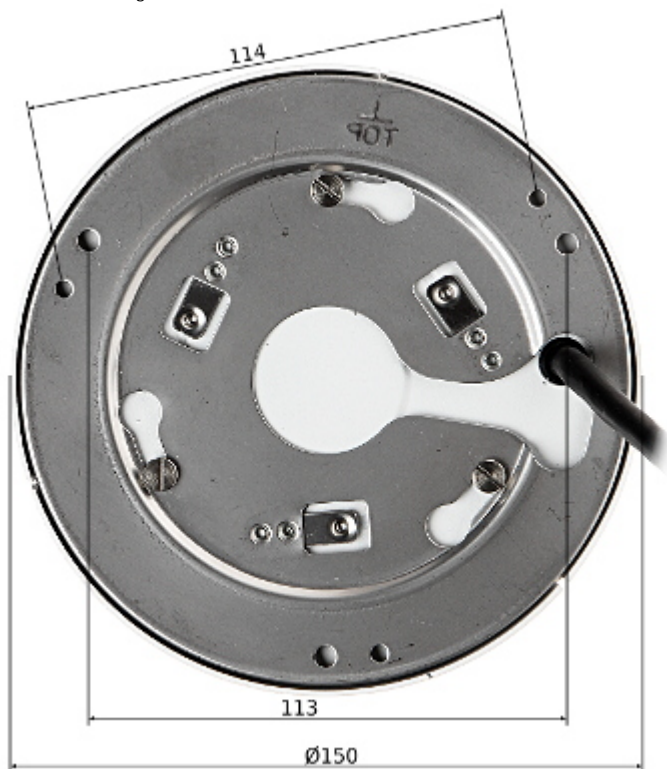
Standard:	HD-CVI
Matrix size:	8.3 Mpx
Sensor:	1/2 " CMOS
Resolution:	3840 x 2160 - 8.3 Mpx, 4K UHD , 2560 x 1440 - 3.7 Mpx , 960 x 576 - 960H, CVBS
Range of IR illumination:	15 m
IR illuminator power adjustment:	Automatic
Lens:	2.5 mm - Fish Eye, F2.0
View angle:	180 °
IR illuminator support:	ICR - Movable InfraRed filter
S/N ratio:	> 65 dB
Video output:	• HD-CVI, 1 Vpp / 75 Ω • CVBS, 1 Vpp / 75 Ω
Main features:	• 2D-DNR / 3D-DNR - Digital Noise Reduction • WDR - 120 dB - Wide Dynamic Range • Fisheye-Dewarping - correction of the "fish eye" view to the perspective view • BLC - configurable Back Light Compensation • HLC - High Light Compensation (spot) • AGC - Automatic Gain Control • Auto White Balance
OSD menu:	OSD menu available via recorder
Power supply:	12 V DC / 620 mA
Power consumption:	≤ 7.4 W
Housing:	Dome, Metal
"Index of Protection":	IP67
Vandal-proof:	IK10
Color:	White

DELTA-OPTI Monika Matysiak; <https://www.delta.poznan.pl>  
POL; 60-713 Poznań; Graniczna 10  
e-mail: [delta-opti@delta.poznan.pl](mailto:delta-opti@delta.poznan.pl); tel: +(48) 61 864 69 60

Operation temp:	-30 °C ... 60 °C
Weight:	0.57 kg
Dimensions:	Ø 150 x 48 mm
Manufacturer / Brand:	DAHUA
Guarantee:	<b>3 years</b>

## PRESENTATION

Camera mounting side view:



Camera connectors:



Connectors description:



In the kit:



## PACKAGE

Dimensions (L x W x H): 0x0x0 mm	Gross Weight: 0 kg
----------------------------------	--------------------