

Code: HAC-HDW1400EM-A-0280B

HD-CVI, PAL VANDALPROOF CAMERA **HAC-HDW1400EM-A-0280B** - 3.7 Mpx 2.8 mm DAHUA

Net: **282.00 PLN** Gross: **282.00 PLN**



Megapixel camera with 1/3" CMOS sensor and HD-CVI (High Definition Composite Video Interface) / PAL.

The HD-CVI interface allows to transmission of analog, composite video signal via coaxial cable. It enables the transmission of HD resolution images for even 500 m distance with keeping the low costs of the installation. During transmission there are no delays and is maintained the original, high quality image.

Camera is according to IP67 Index of Protection norm.

SPECIFICATION

Standard:	HD-CVI, PAL
Sensor:	1/3 " CMOS
Matrix size:	4.1 Mpx
Resolution:	2560 x 1440 - 3.7 Mpx , 1920 x 1080 - 1080p , 1280 x 720 - 720p , 960 x 576 - 960H, PAL
Range of IR illumination:	50 m
IR illuminator power adjustment:	Automatic
Lens:	2.8 mm
View angle:	<ul style="list-style-type: none">• 100 ° (manufacturer data)• 98 ° (our tests result)
S/N ratio:	> 65 dB
Video output:	HD-CVI / PAL, 1 Vpp / 75 Ω
Audio:	Microphone built-in

Main features:	<ul style="list-style-type: none"> • D-WDR - Wide Dynamic Range • 2D-DNR - Digital Noise Reduction • BLC - configurable Back Light Compensation • HLC - High Light Compensation (spot) • Motion Detection - max. 4 zones • Privacy zones - max. 8 • Mirror - Mirror image • ICR - Movable InfraRed filter • AGC - Automatic Gain Control • Auto White Balance
OSD menu:	OSD menu available via DAHUA recorder
Power supply:	12 V DC / 340 mA
Power consumption:	≤ 4.1 W
Housing:	Dome, Metal
Vandal-proof:	✓
Color:	White
"Index of Protection":	IP67
Operation temp:	-40 °C ... 60 °C
Weight:	0.44 kg
Dimensions:	Ø 106 x 94 mm
Manufacturer / Brand:	DAHUA
Guarantee:	3 years

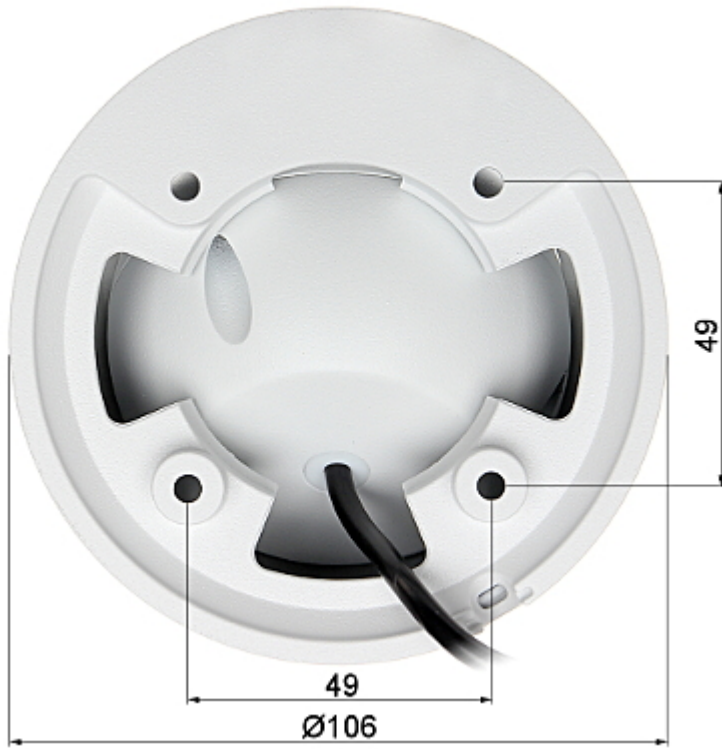
PRESENTATION

Camera is out from clamping ring:



Mounting side view:





In the kit:



OUR TESTS

Camera image at artificial illumination (about 30Lux):



Camera image at night conditions with internal built-in IR illuminator on:



DELTA-OPTI Monika Matysiak; <https://www.delta.poznan.pl>
POL; 60-713 Poznań; Graniczna 10
e-mail: delta-opti@delta.poznan.pl; tel: +(48) 61 864 69 60

Camera image at direct strong light opposite to camera:



PACKAGE

Dimensions (L x W x H): 0x0x0 mm	Gross Weight: 0 kg
----------------------------------	--------------------



DELTA-OPTI Monika Matysiak; <https://www.delta.poznan.pl>
POL; 60-713 Poznań; Graniczna 10
e-mail: delta-opti@delta.poznan.pl; tel: +(48) 61 864 69 60