

Code: HAC-HDBW3802E-ZH-3711

HD-CVI, PAL VANDALPROOF CAMERA **HAC-HDBW3802E-ZH-3711** - 8.3 Mpx, 4K UHD 3.7 ... 11 mm - MOTOZOOM DAHUA

Net: **600.48 EUR** Gross: **600.48 EUR**

Megapixel camera with 1/2" CMOS sensor and HD-CVI (High Definition Composite Video Interface) / PAL. The HD-CVI interface allows to transmission of analog, composite video signal via coaxial cable. It enables the transmission of HD resolution images for even 500 m distance with keeping the low costs of the installation. During transmission there are no delays and is maintained the original, high quality image. The used motozoom lens with 3.7 ... 11 mm focal length allows to remote view angle adjustment.



SPECIFICATION

Standard:	HD-CVI, PAL
Sensor:	1/2 " Progressive Scan CMOS
Matrix size:	8.3 Mpx
Resolution:	3840 x 2160 - 8.3 Mpx, 4K UHD , 2560 x 1440 - 3.7 Mpx
Video output:	<ul style="list-style-type: none">• HD-CVI - 1 Vpp / 75 Ω• CVBS, PAL - 1 Vpp / 75 Ω
Lens:	3.7 ... 11 mm - Motozoom
View angle:	<ul style="list-style-type: none">• 112 ° ... 46 ° (manufacturer data)• 104 ° ... 45 ° (our tests result)
S/N ratio:	> 65 dB
IR illuminator support:	ICR - Movable InfraRed filter
Range of IR illumination:	50 m
IR illuminator power adjustment:	Automatic
Audio:	External microphone input
Alarm inputs / outputs:	2 / 1
RS-485 interface:	✓
OSD menu:	OSD menu available via DAHUA recorder

Main features:	<ul style="list-style-type: none"> • Motozoom lens • WDR - 120 dB - Wide Dynamic Range • ICR - Movable InfraRed filter • 2D-DNR / 3D-DNR - Digital Noise Reduction • F-DNR (Defog) - Reduction of image noise caused by precipitation • BLC/HLC - Back Light / High Light Compensation • AGC - Automatic Gain Control • IR illuminator optimization • D-ZOOM - Digital Zoom • Lens focus loss detection • Mirror - Mirror image • The device has a built-in heater • Motion Detection • Configurable Privacy Zones • Auto White Balance • Sharpness - sharper image outlines
Power supply:	<ul style="list-style-type: none"> • 12 V DC / 1040 mA, • 24 V AC / 520 mA, • Power output : 12 V DC, @ 2.1/5.5 mm plug max. 4 W
Power consumption:	≤ 12.4 W
Housing:	Dome, Metal
Color:	White
Vandal-proof:	IK10
"Index of Protection":	IP67
Operation temp:	-40 °C ... 60 °C
Weight:	0.9 kg
Dimensions:	Ø 159 x 118 mm
Manufacturer / Brand:	DAHUA
Guarantee:	3 years

PRESENTATION

Camera view after remove the Dome cover:

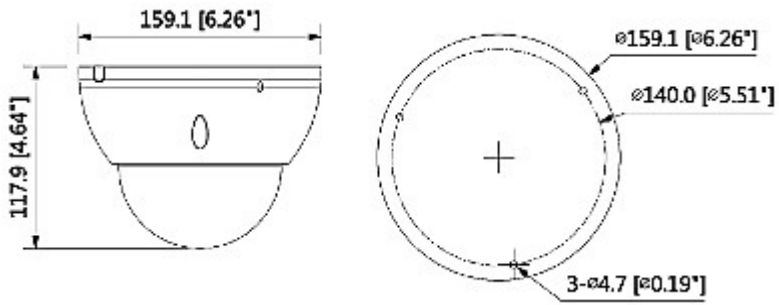




Mounting side view:



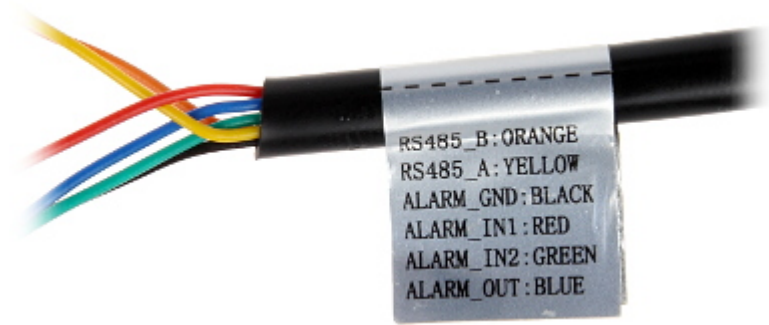
Camera dimensions:



Connectors view:



Connectors description:



In the kit:

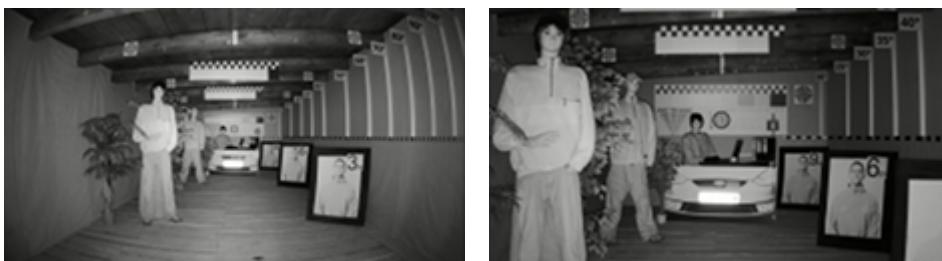


OUR TESTS

Camera image at artificial illumination (about 30Lux):



Camera image at night conditions with internal built-in IR illuminator on:



Camera image at direct strong light opposite to camera:



DELTA-OPTI Monika Matysiak; <https://www.delta.poznan.pl>
POL; 60-713 Poznań; Graniczna 10
e-mail: delta-opti@delta.poznan.pl; tel: +(48) 61 864 69 60



OUR OPINIONS



- Motozoom lens.
- Thanks to the "Starlight" technology used, the camera only needs very low lighting to obtain a clear color image.

PACKAGE

Dimensions (L x W x H): 0x0x0 mm	Gross Weight: 0 kg
----------------------------------	--------------------

