

Code: DS-2CD1721FWD-IZ(2.8-12mm)

IP VANDALPROOF CAMERA **DS-2CD1721FWD-IZ(2.8-12mm)** - 1080p

Hikvision

Net: **917.00 PLN** Gross: **917.00 PLN**

IP camera with efficient H.264 image compression algorithm for clear and smooth video streaming at maximal resolution of 1080p. Due to above it is perfect solution for surveillance systems requiring persons or vehicles recognition. The used motozoom lens with 2.8 ... 12 mm focal length allows to remote view angle adjustment. The range of IR illumination according to the manufacturer data, depends on outer conditions (visibility - air transparency, environment, wall colors ie. scene reflectance).

PoE powering possibility, compatible with the 802.3af standard makes the device more universal and easier to install.



SPECIFICATION

Standard:	TCP/IP
Sensor:	1/2.8 " Progressive Scan CMOS
Matrix size:	2.1 Mpx
Resolution:	1920 x 1080 - 1080p 1280 x 960 - 1.3 Mpx 1280 x 720 - 720p
Lens:	2.8 ... 12 mm - Motozoom
View angle:	• 100 ° ... 35 ° (manufacturer data) • 96 ° ... 34 ° (our tests result)
Range of IR illumination:	30 m
S/N ratio:	> 50 dB
RS-485 interface:	—
Memory card slot:	Micro SD memory cards up to 128GB support (possible local recording)
Image compression method:	H.264+ / H.264 / MJPEG
Alarm inputs / outputs:	—
Audio:	—
Bitrate:	32 kbps ... 8192 kbps @ H.264
Network interface:	10/100 Base-T (RJ-45)
Network protocols:	TCP/IP, ICMP, HTTP, HTTPS, FTP, DHCP, DNS, DDNS, RTP, RTSP, RTCP, NTP, UPnP, SMTP, IGMP, IEEE 802.1x, QoS, IPv6, Bonjour
WEB Server:	Built-in, Web Viewer
Max. number of on-line users:	6

DELTA-OPTI Monika Matysiak; <https://www.delta.poznan.pl>
POL; 60-713 Poznań; Graniczna 10
e-mail: delta-opti@delta.poznan.pl; tel: +(48) 61 864 69 60

ONVIF:	2.6
Main stream frame rate:	25 fps @ 1080p
Mobile phones support:	Port no.: 8000 or access by a cloud (P2P) <ul style="list-style-type: none"> • Android: Free application iVMS-4500 or Hik-Connect • iOS (iPhone): Free application iVMS-4500 or Hik-Connect
Default admin user / password:	admin / -
Default IP address:	192.168.1.64
Web browser access ports:	80
PC client access ports:	Port no.: 8000 or access by a cloud (P2P) - iVMS-4200 application
Mobile client access ports:	8000
Port ONVIF:	80
RTSP URL:	<ul style="list-style-type: none"> • Main stream rtsp://192.168.1.64:554/Streaming/Channels/101/ - RTSP - without authorization rtsp://user:password@192.168.1.64:554/Streaming/Channels/101/ - with authorization • Sub stream rtsp://192.168.1.64:554/Streaming/Channels/102/ - RTSP - without authorization rtsp://user:password@192.168.1.64:554/Streaming/Channels/102/ - with authorization
Main features:	<ul style="list-style-type: none"> • Motozoom lens • ICR - Movable InfraRed filter • WDR - 120 dB - Wide Dynamic Range • 3D-DNR - Digital Noise Reduction • ROI - improve the quality of selected parts of image • IP addresses filtering • WB - White Balance (ATW/AWB/manual/indoor/outdoor) • BLC - configurable Back Light Compensation • Motion Detection • Configurable Privacy Zones • Mirror - Mirror image • Sharpness - sharper image outlines • RESET button
Power supply:	<ul style="list-style-type: none"> • PoE (802.3af), • 12 V DC / 910 mA
Power consumption:	≤ 11 W
Housing:	Dome - Metal
Color:	White
Vandal-proof:	IK10
"Index of Protection":	IP67
Operation temp:	-30 °C ... 60 °C
Weight:	0.79 kg
Dimensions:	Ø 141 x 100 mm
Supported languages:	English, Bulgarian, Chinese, Croatian, Czech, Danish, Estonian, Finnish, French, Greek, Spanish, Dutch, Japanese, Korean, Lithuanian, Latvian, German, Norwegian, Polish, Portuguese, Russian, Romanian, Serbian, Slovak, Slovenian, Swedish, Turkish, Hungarian, Vietnamese, Italian
Manufacturer / Brand:	Hikvision
SAP Code:	300820278
Guarantee:	3 years

PRESENTATION

Camera view after remove the Dome cover:



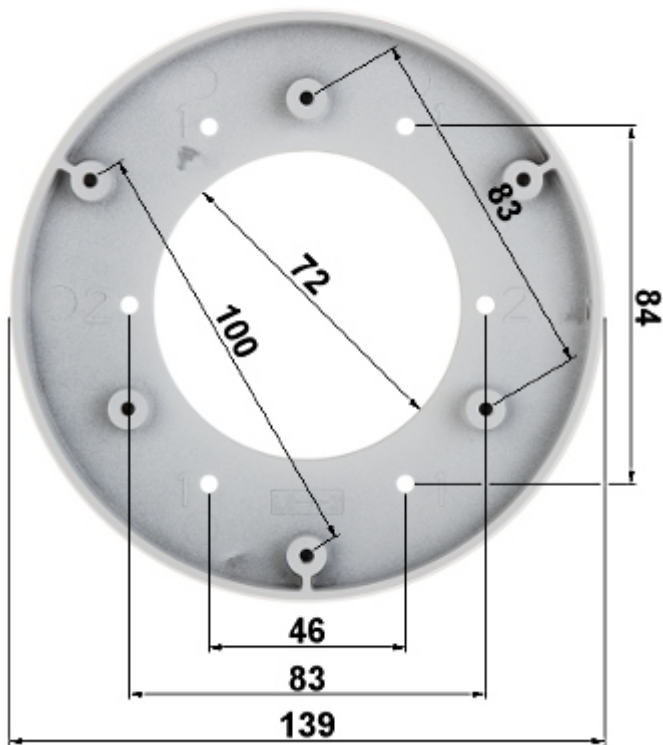
DELTA-OPTI Monika Matysiak; <https://www.delta.poznan.pl>
POL; 60-713 Poznań; Graniczna 10
e-mail: delta-opti@delta.poznan.pl; tel: +(48) 61 864 69 60



- 1. Memory card slot
 - 2. RESET button
- Mounting side view:



Bracket dimensions:



In the kit:



OUR TESTS

DELTA-OPTI Monika Matysiak; <https://www.delta.poznan.pl>
 POL; 60-713 Poznań; Graniczna 10
 e-mail: delta-opti@delta.poznan.pl; tel: +(48) 61 864 69 60

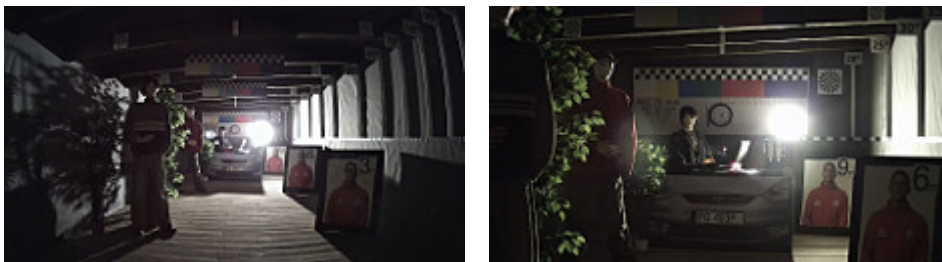
Camera image at artificial illumination (about 30Lux):



Camera image at night conditions with internal built-in IR illuminator on:



Camera image at direct strong light opposite to camera:



OUR OPINIONS



- o Motozoom lens.

PACKAGE

Dimensions (L x W x H): 0x0x0 mm	Gross Weight: 0 kg
----------------------------------	--------------------