

Code: BCS-V-DI836IR5

IP VANDALPROOF CAMERA **BCS-V-DI836IR5** - 8.3 Mpx 4K UHD 2.8 ...
12 mm - MOTOZOOM BCS View
Net: 2 248.00 PLN Gross: 2 248.00 PLN



IP camera with efficient H.264 / H.265 image compression algorithm for clear and smooth video streaming at maximal resolution of 8.3 MPx, 4K UHD. Due to above it is perfect solution for surveillance systems requiring persons or vehicles recognition.

The range of IR illumination according to the manufacturer data, depends on outer conditions (visibility - air transparency, environment, wall colors ie. scene reflectance).

PoE powering possibility, compatible with the 802.3af standard makes the device more universal and easier to install.

Camera is according to IP66 Index of Protection norm.

SPECIFICATION

Standard:	TCP/IP
Sensor:	1/2.5 " Progressive Scan CMOS
Matrix size:	8.3 Mpx
Resolution:	3840 x 2160 - 8.3 Mpx 4K UHD , 3072 x 1728 - 5.3 Mpx , 2560 x 1440 - 3.7 Mpx , 1920 x 1080 1080p , 1280 x 720 - 720p
Lens:	2.8 ... 12 mm - Motozoom
View angle:	• 115 ° ... 35 ° (manufacturer data) • 105 ° ... 34 ° (our tests result)
Range of IR illumination:	50 m
RS-485 interface:	—
Memory card slot:	Micro SD memory cards up to 128GB support (possible local recording)
Image compression method:	H.265+ / H.265 / H.264+ / H.264 / MJPEG
Alarm inputs / outputs:	1 / 1
Audio:	• External microphone input • Audio output • Bi-directional audio streaming support
Network interface:	10/100 Base-T (RJ-45)
Network protocols:	TCP/IP, ICMP, HTTP, HTTPS, FTP, DHCP, DNS, DDNS, RTP, RTSP, RTCP, NTP, UPnP, SMTP, IGMP, IEEE 802.1x, QoS, IPv6, UDP, Bonjour, P2P

DELTA-OPTI Monika Matysiak; <https://www.delta.poznan.pl>
POL; 60-713 Poznań; Graniczna 10
e-mail: delta-opti@delta.poznan.pl; tel: +(48) 61 864 69 60

WEB Server:	Built-in, Web Viewer
Max. number of on-line users:	6
ONVIF:	16.12
Mobile phones support:	Port no.: 8000 or access by a cloud (P2P) <ul style="list-style-type: none"> • Android: Free application BCS View • iOS (iPhone): Free application BCS View
Default admin user / password:	admin / - The administrator password should be set at the first start
Default IP address:	192.168.1.64
Web browser access ports:	80
PC client access ports:	Port no.: 8000 or access by a cloud (P2P)
Mobile client access ports:	8000
Port ONVIF:	80
RTSP URL:	<ul style="list-style-type: none"> • Main stream : rtsp://user:password@192.168.1.64:554/Streaming/Channels/101/ - with authorization • Sub stream : rtsp://user:password@192.168.1.64:554/Streaming/Channels/102/ - with authorization
Main stream frame rate:	20 fps @ 8.3 Mpx 25 fps 5.3 Mpx
Main features:	<ul style="list-style-type: none"> • WDR - 120 dB - Wide Dynamic Range • 3D-DNR - Digital Noise Reduction • ROI - improve the quality of selected parts of image • BLC - configurable Back Light Compensation • HLC - High Light Compensation (spot) • ICR - Movable InfraRed filter • Day/Night mode (color/b&w/auto) • Sharpness - sharper image outlines • Mirror - Mirror image • Configurable Privacy Zones • Motion Detection • Intelligent image analysis : intrusion, crossing the line (tripwire), abandoned/missing object, face detection
Power supply:	<ul style="list-style-type: none"> • PoE (802.3af), • 12 V DC / 960 mA
Power consumption:	≤ 11.5 W
Housing:	Dome - Metal
Color:	White
"Index of Protection":	IP66
Vandal-proof:	IK10
Operation temp:	-30 °C ... 60 °C
Weight:	1.34 kg
Dimensions:	Ø 153 x 133 mm
Supported languages:	Polish, English, Bulgarian, Croatian, Czech, Danish, Estonian, Finnish, French, Greek, Spanish, Dutch, Lithuanian, Latvian, German, Norwegian, Portuguese, Russian, Romanian, Serbian, Slovak, Slovenian, Swedish, Turkish, Hungarian, Italian
Manufacturer / Brand:	BCS View
Guarantee:	3 years

PRESENTATION

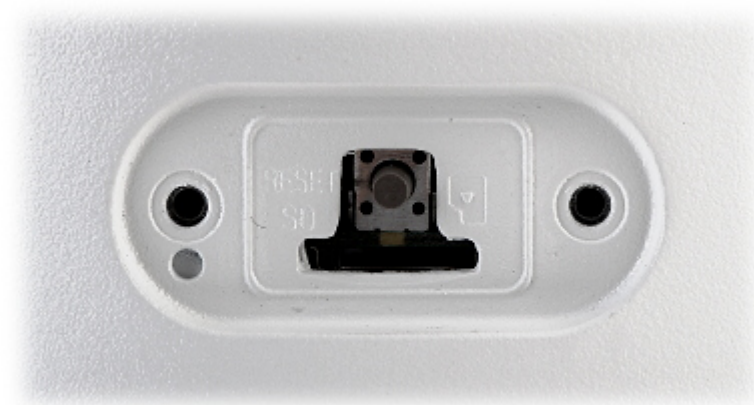
Camera view after remove the Dome cover:



DELTA-OPTI Monika Matysiak; <https://www.delta.poznan.pl>
POL; 60-713 Poznań; Graniczna 10
e-mail: delta-opti@delta.poznan.pl; tel: +(48) 61 864 69 60



Memory card slot:



Mounting side view:



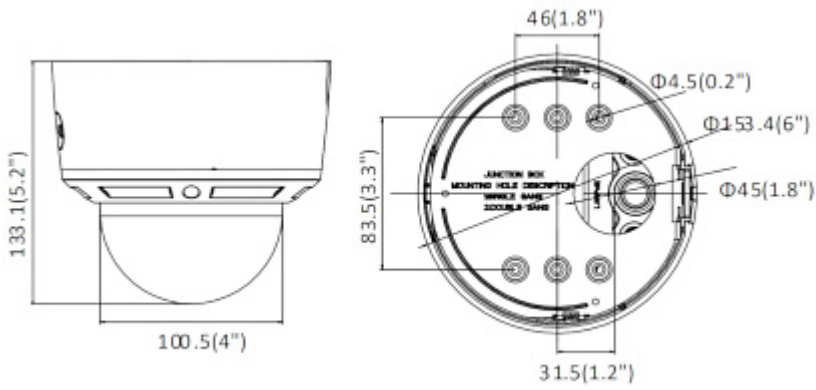
Bottom view (after remove the cover):



Camera connectors:



Dimensions:



In the kit:



OUR TESTS

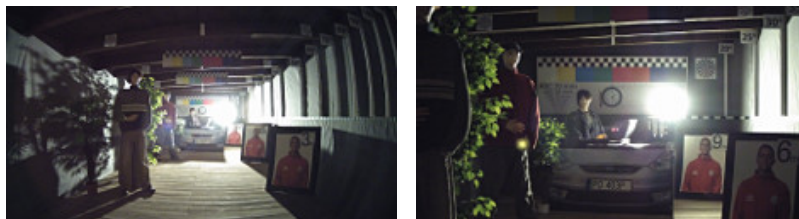
Camera image at artificial illumination (about 30Lux):



Camera image at night conditions with internal built-in IR illuminator on:



Camera image at direct strong light opposite to camera:



DELTA-OPTI Monika Matysiak; <https://www.delta.poznan.pl>
 POL; 60-713 Poznań; Graniczna 10
 e-mail: delta-opti@delta.poznan.pl; tel: +(48) 61 864 69 60

OUR OPINIONS



- The camera is equipped with a sensor with very high sensitivity, dedicated to work in poor light conditions.

PACKAGE

Dimensions (L x W x H): 0x0x0 mm	Gross Weight: 0 kg
----------------------------------	--------------------

