

Code: DS-2CD2786G2-IZS(2.8-12MM)(C)

IP VANDALPROOF CAMERA **DS-2CD2786G2-IZS(2.8-12MM)(C)**

ACUSENSE - 8.3 Mpx 4K UHD - MOTOZOOM Hikvision

Net: **640.72 EUR** Gross: **640.72 EUR**



IP camera with efficient H.265 / H.264 image compression algorithm for clear and smooth video streaming at maximal resolution of 3840 x 2160 - 4K. Due to above it is perfect solution for surveillance systems requiring persons or vehicles recognition.

The range of IR illumination according to the manufacturer data, depends on outer conditions (visibility - air transparency, environment, wall colors ie. scene reflectance).

PoE powering possibility, compatible with the 802.3af standard makes the device more universal and easier to install. Camera is according to IP66 Index of Protection norm.

Camera from AcuSense series. Powered by Darkfighter - the camera has very good sensitivity, dedicated to poor lighting conditions.

SPECIFICATION

Standard:	TCP/IP
Sensor:	1/1.8 " Progressive Scan CMOS
Matrix size:	8.3 Mpx
Resolution:	3840 x 2160 - 8.3 Mpx 4K UHD , 3200 x 1800 - 6 Mpx , 2688 x 1520 - 4 Mpx , 1920 x 1080 - 1080p 1280 x 720 - 720p
Lens:	2.8 ... 12 mm - Motozoom
View angle:	<ul style="list-style-type: none">• 108 ° ... 45 ° (manufacturer data)• 102 ° ... 46 ° (our tests result)
Range of IR illumination:	40 m
RS-485 interface:	—
Memory card slot:	Micro SD memory cards up to 256GB support (possible local recording)
Image compression method:	H.265+ / H.265 / H.264+ / H.264 / MJPEG
Alarm inputs / outputs:	1 / 1
Audio:	<ul style="list-style-type: none">• External microphone input• Audio output• Bi-directional audio streaming support• Digital Noise Reduction

DELTA-OPTI Monika Matysiak; <https://www.delta.poznan.pl>
POL; 60-713 Poznań; Graniczna 10
e-mail: delta-opti@delta.poznan.pl; tel: +(48) 61 864 69 60

Network interface:	10/100 Base-T (RJ-45)
Network protocols:	TCP/IP, ICMP, HTTP, HTTPS, FTP, DHCP, DNS, DDNS, RTP, RTSP, NTP, UPnP, SMTP, SNMP, IGMP, IEEE 802.1x, QoS, IPv4, IPv6, UDP, Bonjour, SSL / TLS, PPPoE, ARP, WebSocket, WebSockets
WEB Server:	Built-in, Web Viewer
Max. number of on-line users:	6
ONVIF:	19.12
Mobile phones support:	Port no.: 8000 or access by a cloud (P2P) <ul style="list-style-type: none"> • Android: Free application Hik-Connect • iOS: Free application Hik-Connect
Default admin user / password:	admin / - The administrator password should be set at the first start
Default IP address:	192.168.1.64
Web browser access ports:	80
PC client access ports:	Port no.: 8000 or access by a cloud (P2P) - iVMS-4200 application
Mobile client access ports:	8000
Port ONVIF:	80
RTSP URL:	<ul style="list-style-type: none"> • Main stream rtsp://user:password@192.168.1.64:554/Streaming/Channels/101/ - with authorization • Sub stream rtsp://user:password@192.168.1.64:554/Streaming/Channels/102/ - with authorization
Main stream frame rate:	25 fps @ 8.3 Mpx
Main features:	<ul style="list-style-type: none"> • Camera from AcuSense series • Motozoom lens • WDR - 120 dB - Wide Dynamic Range • 3D-DNR - Digital Noise Reduction • ROI - improve the quality of selected parts of image • Anti-Flicker - The technology eliminates the tiring eyes flickering image effect • ANR - Automatic Network Replenishment allows to save image to the card when the network connection with DVR is break (network failure) and next synchronize its • NAS - Network Attached Storage support - allows to connect memory resources directly to the computer network • EXIR - high-efficiency infrared LEDs technology, which evenly covers the whole plan of both central vantage points of the scene as well as the corners • ICR - Movable InfraRed filter • BLC/HLC - Back Light / High Light Compensation • Mirror - Mirror image • Day/Night mode (color/b&w/auto) • Configurable Privacy Zones • Sharpness - sharper image outlines • Smart motion detection (with recognizing people and vehicles) • Filtering of false alarms based on the recognition of persons and vehicles • Intelligent image analysis : intrusion, crossing the line (tripwire), scene changing, entering the marked area, leaving the marked area, face detection - advanced face capture features
Power supply:	<ul style="list-style-type: none"> • PoE (802.3af), • 12 V DC / 890 mA
Power consumption:	<ul style="list-style-type: none"> • ≤ 12.5 W @ PoE (802.3af) • ≤ 10.5 W @ 12 V DC
Housing:	Dome - Metal
Color:	White
"Index of Protection":	IP66
Vandal-proof:	IK10
Operation temp:	-30 °C ... 60 °C
Weight:	1.12 kg
Dimensions:	Ø 153 x 133 mm



DELTA-OPTI Monika Matysiak; <https://www.delta.poznan.pl>
POL; 60-713 Poznań; Graniczna 10
e-mail: delta-opti@delta.poznan.pl; tel: +(48) 61 864 69 60

Supported languages:	Polish, English, Bulgarian, Croatian, Czech, Danish, Estonian, Finnish, French, Greek, Spanish, Dutch, Lithuanian, Latvian, German, Norwegian, Portuguese, Russian, Romanian, Serbian, Slovak, Slovenian, Swedish, Turkish, Hungarian, Italian
Manufacturer / Brand:	Hikvision
SAP Code:	311315583
Guarantee:	3 years

PRESENTATION

Camera view after remove the Dome cover:



Memory card slot and "Reset" button:



Mounting side view:





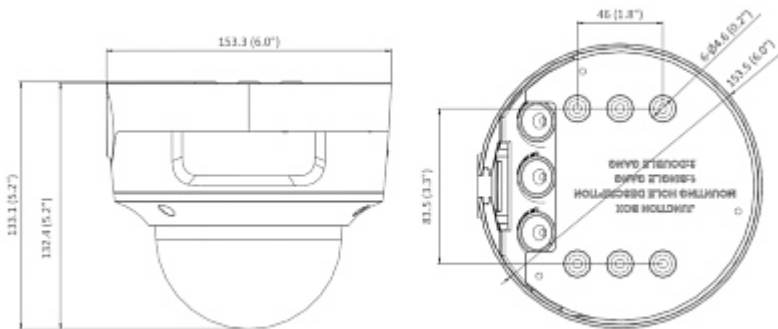
Bottom view (after remove the cover):



Camera connectors:



Dimensions:



In the kit:



OUR TESTS

Camera image at artificial illumination (about 30Lux):



Camera image at night conditions with internal built-in IR illuminator on:



Camera image at direct strong light opposite to camera:



PACKAGE

DELTA-OPTI Monika Matysiak; <https://www.delta.poznan.pl>
 POL; 60-713 Poznań; Graniczna 10
 e-mail: delta-opti@delta.poznan.pl; tel: +(48) 61 864 69 60

Dimensions (L x W x H): 0x0x0 mm	Gross Weight: 0 kg
----------------------------------	--------------------

