

Code: GT-CI11C3-36

IP CAMERA **GT-CI11C3-36** - 720p 3.6 mm GEMINI TECHNOLOGY

Net: **88.00 PLN** Gross: **88.00 PLN**

IP camera with efficient H.264 image compression algorithm for clear and smooth video streaming at maximal resolution of 720p. Very easy operation by Internet Explorer browser allows the users to convenient and remote support, and also remote management of the camera.

Camera bracket allows to adjust the camera to any direction, and power cables are hidden inside the bracket.



SPECIFICATION

Standard:	TCP/IP
Sensor:	1/4 " OmniVision OV9712 CMOS
Digital Image Processor:	Hisilicon 3518E
Matrix size:	1.3 Mpx
Resolution:	1280 x 720 - 720p 720 x 576
Lens:	3.6 mm
View angle:	<ul style="list-style-type: none">• 65 ° (manufacturer data)• 72 ° (our tests result)
S/N ratio:	50 dB
IR illuminator power adjustment:	Automatic
Range of IR illumination:	30 m
Image compression method:	<ul style="list-style-type: none">• H.264• MJPEG
Alarm inputs / outputs:	—
Bitrate:	16 ... 8000 kbps
Main stream frame rate:	max. 25 fps - 720p
Network interface:	10/100 Base-T (RJ-45)
Network protocols:	TCP/IP, UDP, HTTP, DHCP, RTP/RTSP, DNS, DDNS, NTP, PPPOE, UPNP, SNMP, ONVIF
Audio:	—
RS-485 interface:	—

DELTA-OPTI Monika Matysiak; <https://www.delta.poznan.pl>
POL; 60-713 Poznań; Graniczna 10
e-mail: delta-opti@delta.poznan.pl; tel: +(48) 61 864 69 60

Mobile phones support:	Port 5053 <ul style="list-style-type: none"> • Android: Free application MEye • iOS (iPhone): Free application Meye • Windows Phone: Free application Meye
Default admin user / password:	admin / (null)
Default IP address:	192.168.1.188
Web browser access ports:	80, 554, 1935 - Firmware V1.0, V1.1 80, 5050, 5051, 5052 - Firmware V4.0 - V4.3
PC client access ports:	5050, 5051, 5052
WEB Server:	Built-in
Mobile client access ports:	5053
Max. number of on-line users:	10
Port ONVIF:	80 - Firmware V1.0, V1.1 8000 - Firmware V4.0 - V4.3
RTSP URL:	rtsp://ip_address:554/ch01.264 - Main stream rtsp://ip_address:554/ch01_sub.264 - Sub stream
ONVIF:	2.21
Main features:	<ul style="list-style-type: none"> • ICR - Movable InfraRed filter • 3D-DNR - Digital Noise Reduction • WDR - Wide Dynamic Range • Possibility to change the resolution, quality and bit rate • Time mark and image description • Image rotation and mirror • Configurable: brightness, contrast, saturation • Sharpness - sharper image outlines • Day/Night mode - configurable • Possibility to add different privileges to the users • Privacy zones - max. 4
Power supply:	12 V DC / 340 mA
Power consumption:	≤ 4.1 W
Housing:	Compact, Metal
Color:	Dark graphite
"Index of Protection":	IP67
Operation temp:	-20 °C ... 55 °C
Weight:	0.43 kg
Dimensions:	192 x 102 x 69 mm
Supported languages:	English, Polish
Manufacturer / Brand:	GEMINI TECHNOLOGY
Guarantee:	2 years

PRESENTATION

Front view:



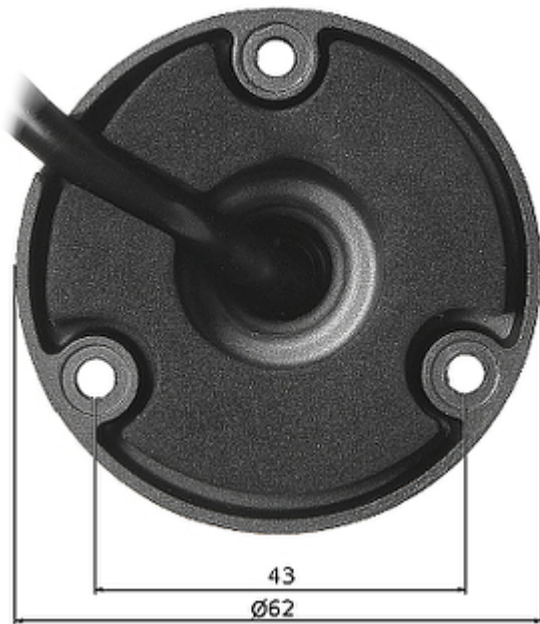
DELTA-OPTI Monika Matysiak; <https://www.delta.poznan.pl>
POL; 60-713 Poznań; Graniczna 10
e-mail: delta-opti@delta.poznan.pl; tel: +(48) 61 864 69 60



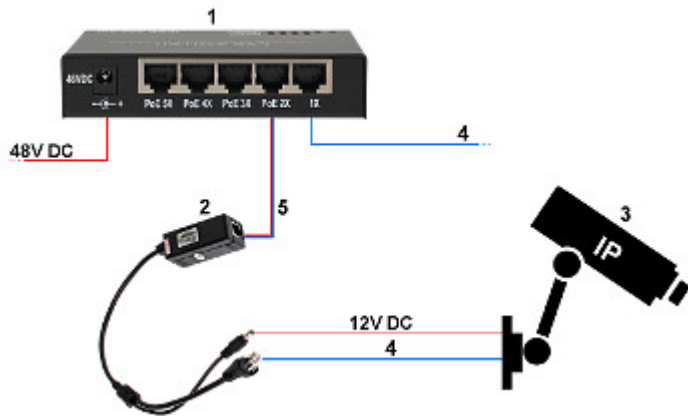
Side view (the cable is hidden inside the bracket):



Bracket dimensions:



See how you can power the camera in PoE standard:



1. SWITCH PoE
 2. POE-802.3AF/C
 3. IP Camera
 4. Ethernet
 5. Ethernet + PoE
- In the kit:



Package:



OUR TESTS

Camera image at artificial illumination (about 30Lux):



Camera image at night conditions with internal built-in IR illuminator on:



Camera image at direct strong light opposite to camera:



PACKAGE

Dimensions (L x W x H): 0x0x0 mm	Gross Weight: 0 kg
----------------------------------	--------------------