

Code: IPC-HFW2541E-S-0280B-BLACK

IP CAMERA **IPC-HFW2541E-S-0280B-BLACK** WizSense - 5 Mpx 2.8 mm DAHUA

Net: **261.74 EUR** Gross: **261.74 EUR**

IP camera with efficient H.264 / H.265 image compression algorithm for clear and smooth video streaming at maximal resolution of 5 MPx.

Thanks to the "Starlight" technology used, the camera only needs very low lighting to obtain a clear color image. PoE powering possibility, compatible with the 802.3af standard makes the device more universal and easier to install.

The camera has extensive functions of intelligent image analysis.



SPECIFICATION

Standard:	TCP/IP
Sensor:	1/2.7 " Progressive Scan CMOS
Matrix size:	5 Mpx
Resolution:	2592 x 1944 - 5 Mpx , 2688 x 1520 - 4 Mpx , 2304 x 1296 - 3 Mpx , 1920 x 1080 - 1080p , 1280 x 960 - 1.3 Mpx , 1280 x 720 - 720p
Lens:	2.8 mm
View angle:	<ul style="list-style-type: none">• 97 ° (manufacturer data)• 93 ° (our tests result)
Range of IR illumination:	30 m
RS-485 interface:	—
Memory card slot:	Micro SD memory cards up to 256GB support (possible local recording)
Image compression method:	H.265+ / H.265 / H.264+ / H.264 / MJPEG
Alarm inputs / outputs:	—
Audio:	<ul style="list-style-type: none">• Microphone built-in• Audio detection
Main stream frame rate:	20 fps @ 5 Mpx 25 fps @ 4 Mpx
Network interface:	10/100 Base-T (RJ-45)



DELTA-OPTI Monika Matysiak; <https://www.delta.poznan.pl>
POL; 60-713 Poznań; Graniczna 10
e-mail: delta-opti@delta.poznan.pl; tel: +(48) 61 864 69 60

Network protocols:	IPv4/IPv6, HTTP, TCP, UDP, ARP, RTP, RTSP, RTCP, RTMP, SMTP, FTP, SFTP, DHCP, DNS, DDNS, QoS, UPnP, NTP, Multicast, ICMP, IGMP, NFS, SAMBA, PPPoE, SNMP
WEB Server:	Built-in
Max. number of on-line users:	20
ONVIF:	21.12
Mobile phones support:	Port no.: 37777 or access by a cloud (P2P) <ul style="list-style-type: none"> • Android: Free application DMSS • iOS (iPhone): Free application DMSS
Default IP address:	192.168.1.108
Default admin user / password:	admin / - The administrator password should be set at the first start
Web browser access ports:	80, 37777
PC client access ports:	37777
Mobile client access ports:	37777
Port ONVIF:	80
RTSP URL:	rtsp://admin:hasło@192.168.1.108:554/cam/realmonitor?channel=1&subtype=0 - Main stream rtsp://admin:hasło@192.168.1.108:554/cam/realmonitor?channel=1&subtype=1 - Sub stream
Main features:	<ul style="list-style-type: none"> • WDR - 120 dB - Wide Dynamic Range • 3D-DNR - Digital Noise Reduction • ROI - improve the quality of selected parts of image • SSA - Smart Scene Adaptive - intelligent scene adaptation by automatically adjusting the exposure parameters to obtain a better image • SMD PLUS - searching for an object classified as: human, motor vehicle • NAS - Network Attached Storage support • BLC/HLC - Back Light / High Light Compensation • Day/Night mode (color/b&w/auto) • ICR - Movable InfraRed filter • Auto White Balance • AGC - Automatic Gain Control • Possibility to change the resolution, quality and bit rate • Mirror - Mirror image • Configurable Privacy Zones • Smart motion detection (with recognizing people and vehicles) • IVS analysis : crossing the line (tripwire), intrusion - classification of people and vehicles, video tampering, scene changing, Audio detection
Power supply:	<ul style="list-style-type: none"> • PoE (802.3af), • 12 V DC / 460 mA
Power consumption:	<ul style="list-style-type: none"> • ≤ 6.2 W @ PoE • ≤ 5.5 W @ 12 V
Housing:	Compact - Metal
Color:	Black
"Index of Protection":	IP67
Vandal-proof:	—
Operation temp:	-40 °C ... 60 °C
Weight:	0.56 kg
Dimensions:	193 x 71 x 67 mm
Supported languages:	Polish, English, Czech, French, Spanish, Dutch, German, Portuguese, Russian, Romanian, Turkish, Ukrainian, Hungarian, Italian
Manufacturer / Brand:	DAHUA
Guarantee:	3 years

PRESENTATION



DELTA-OPTI Monika Matysiak; <https://www.delta.poznan.pl>
POL; 60-713 Poznań; Graniczna 10
e-mail: delta-opti@delta.poznan.pl; tel: +(48) 61 864 69 60



Side view:



Memory card slot:

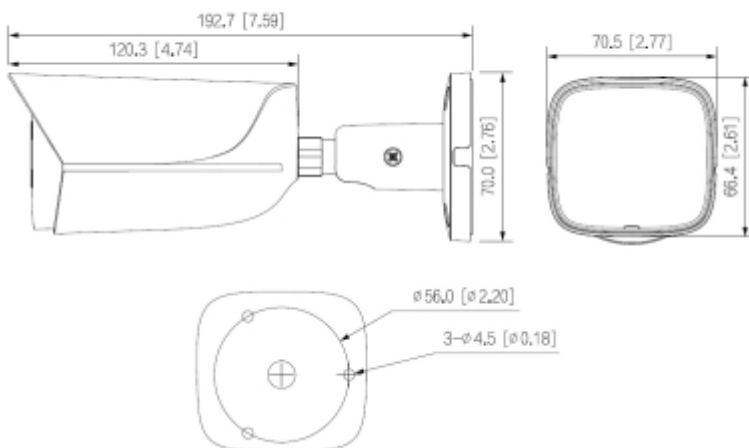


Camera mounting side view:



Camera dimensions:

mm [inch]



See how to initialize DAHUA cameras:

:

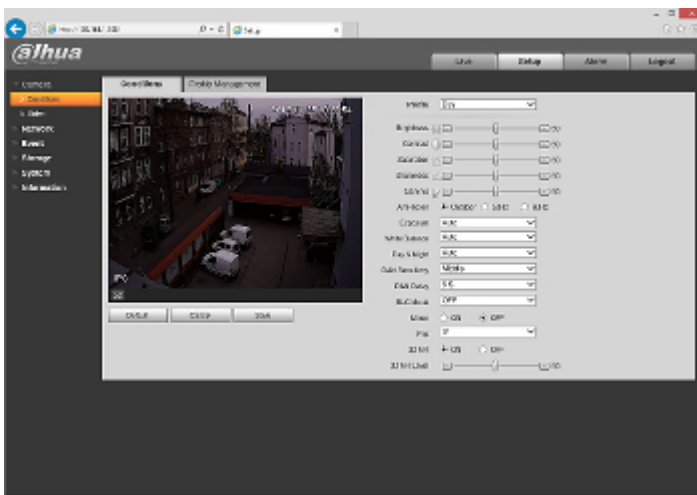
In the kit:



Example captures of device interface:



DELTA-OPTI Monika Matysiak; <https://www.delta.poznan.pl>
POL; 60-713 Poznań; Graniczna 10
e-mail: delta-opti@delta.poznan.pl; tel: +(48) 61 864 69 60



OUR TESTS

Camera image at artificial illumination (about 30Lux):



Camera image at night conditions with internal built-in IR illuminator on:



Camera image at direct strong light opposite to camera:



OUR OPINIONS



- Thanks to the "Starlight" technology used, the camera only needs very low lighting to obtain a clear color image.

PACKAGE

Dimensions (L x W x H): 0x0x0 mm	Gross Weight: 0 kg
----------------------------------	--------------------