

Code: IPC-HFW5442E-ASE-0360B-S3

IP CAMERA **IPC-HFW5442E-ASE-0360B-S3** WizMind S - 4 Mpx 3.6 mm DAHUA

Net: **425.15 EUR** Gross: **425.15 EUR**

IP camera with efficient H.264 / H.265 image compression algorithm for clear and smooth video streaming at maximal resolution of 4 MPx.

PoE powering possibility, compatible with the 802.3af standard makes the device more universal and easier to install.

The camera has extensive functions of intelligent image analysis.



SPECIFICATION

Standard:	TCP/IP
Sensor:	1/1.8 " Progressive Scan CMOS
Matrix size:	4 Mpx
Resolution:	2688 x 1520 - 4 Mpx , 2560 x 1440 - 3.7 Mpx , 2048 x 1536 - 3 Mpx , 2304 x 1296 - 3 Mpx , 1920 x 1080 - 1080p , 1280 x 960 - 1.3 Mpx , 1280 x 720 - 720p
Lens:	3.6 mm
View angle:	• 88 ° (manufacturer data) • 85 ° (our tests result)
Range of IR illumination:	50 m
Memory card slot:	Micro SD memory cards up to 512GB support (possible local recording)
Image compression method:	AI H.265 / H.265+ / H.265 / AI H.264 / H.264+ / H.264 / MJPEG
Alarm inputs / outputs:	1 / 1
Audio:	• Microphone built-in • External microphone input • Audio output • Bi-directional audio streaming support • Smart audio detection • Compliance with the AAC standard
Main stream frame rate:	25 fps @ 4 Mpx
Network interface:	10/100 Base-T (RJ-45)

Network protocols:	IPv4/IPv6, HTTP, TCP, UDP, ARP, RTP, RTSP, RTCP, RTMP, SMTP, FTP, SFTP, DHCP, DNS, DDNS, QoS, UPnP, NTP, Multicast, ICMP, IGMP, NFS, SAMBA, PPPoE, SNMP, P2P
WEB Server:	Built-in
Max. number of on-line users:	20
ONVIF:	22.06
Mobile phones support:	Port no.: 37777 or access by a cloud (P2P) <ul style="list-style-type: none"> • Android: Free application DMSS • iOS (iPhone): Free application DMSS
Default IP address:	192.168.1.108
Default admin user / password:	admin / - The administrator password should be set at the first start
Web browser access ports:	80, 37777
PC client access ports:	37777
Mobile client access ports:	37777
Port ONVIF:	80
RTSP URL:	rtsp://admin:haslo@192.168.1.108:554/cam/realmonitor?channel=1&subtype=0 - Main stream rtsp://admin:haslo@192.168.1.108:554/cam/realmonitor?channel=1&subtype=1 - Sub stream
Main features:	<ul style="list-style-type: none"> • WDR - 140 dB - Wide Dynamic Range • 3D-DNR - Digital Noise Reduction • ROI - improve the quality of selected parts of image • F-DNR (Defog) - Reduction of image noise caused by precipitation • SSA - Smart Scene Adaptive - intelligent scene adaptation by automatically adjusting the exposure parameters to obtain a better image • SMD 3.0 - searching for an object classified as: human, motor vehicle • NAS - Network Attached Storage support • BLC/HLC - Back Light / High Light Compensation • Day/night mode • ICR - Movable InfraRed filter • Auto White Balance • AGC - Automatic Gain Control • Mirror - Mirror image • Motion Detection - classification of people and vehicles • Configurable Privacy Zones • Heat map - the selection in the image by corresponding colors the areas with different traffic • IVS analysis : intrusion, crossing the line (tripwire), parking detection, fast moving, detection of people gathering, face detection - advanced face capture features - supports 6 types of facial attributes extraction, people counting - support for 4 independent detection areas
Power supply:	<ul style="list-style-type: none"> • PoE (802.3af), • ePoE, • 12 V DC / 520 mA
Power consumption:	<ul style="list-style-type: none"> • ≤ 8.3 W @ PoE • ≤ 6.2 W @ 12 V
Housing:	Compact - Metal
Color:	White
"Index of Protection":	IP67
Vandal-proof:	—
Operation temp:	-40 °C ... 60 °C
Weight:	0.6 kg
Dimensions:	193 x 71 x 66 mm
Supported languages:	Polish, English, Czech, French, Spanish, Dutch, German, Portuguese, Russian, Romanian, Turkish, Ukrainian, Hungarian, Italian



Manufacturer / Brand:	DAHUA
Guarantee:	5 years

PRESENTATION



Side view:



Memory card slot:



Camera mounting side view:



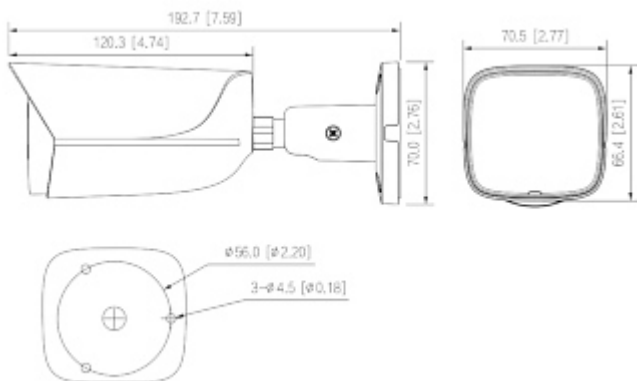
Camera connectors:



Connectors description:



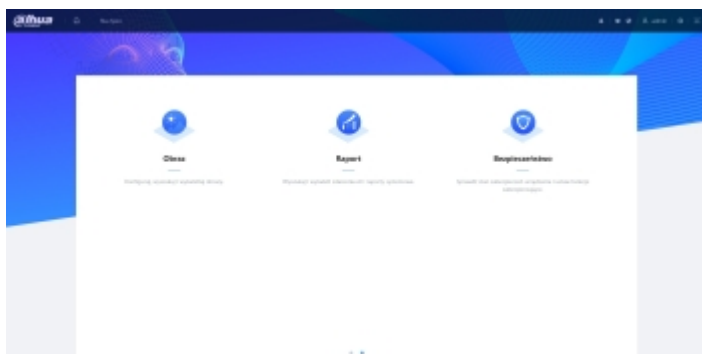
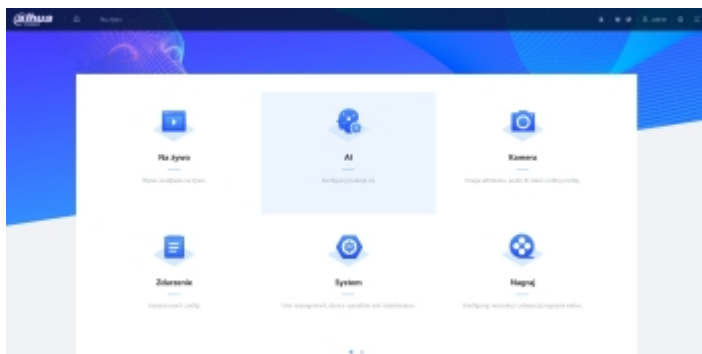
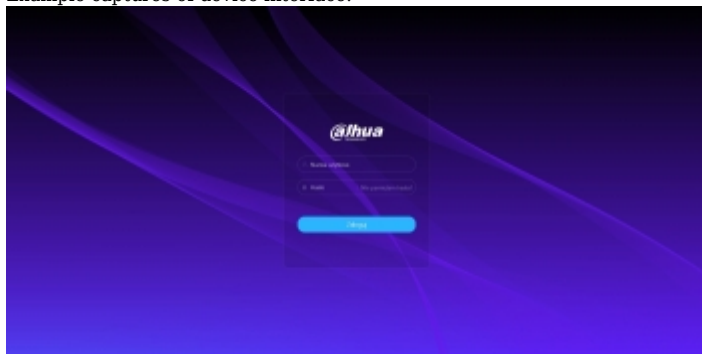
Camera dimensions:

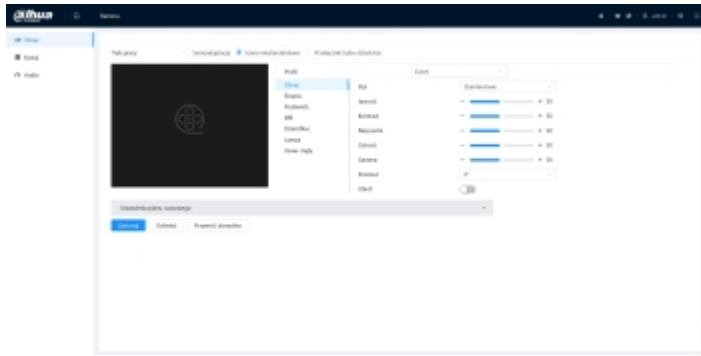


See how to initialize DAHUA cameras:

:

Example captures of device interface:





In the kit:



OUR TESTS

Camera image at artificial illumination (about 30Lux):



Camera image at night conditions with internal built-in IR illuminator on:



Camera image at direct strong light opposite to camera:



DELTA-OPTI Monika Matysiak; <https://www.delta.poznan.pl>
POL; 60-713 Poznań; Graniczna 10
e-mail: delta-opti@delta.poznan.pl; tel: +(48) 61 864 69 60

PACKAGE

Dimensions (L x W x H): 0x0x0 mm	Gross Weight: 0 kg
----------------------------------	--------------------

