

Code: TC-C35WS SPEC:I5/E/Y/M/S/H/2.8MM/V4.0

IP CAMERA TC-C35WS SPEC:I5/E/Y/M/S/H/2.8MM/V4.0 - 5 Mpx 2.8 mm TIANDY

Net: 994.00 PLN Gross: 994.00 PLN

IP camera with efficient H.265 / H.264 image compression algorithm for clear and smooth video streaming at maximal resolution of 5 Mpx.

PoE powering possibility, compatible with the 802.3af standard makes the device more universal and easier to install. The range of IR illumination according to the manufacturer data, depends on outer conditions (visibility - air transparency, environment, wall colors ie. scene reflectance).



SPECIFICATION

Standard:	IP
Resolution:	2880 x 1620 - 5 Mpx , 2688 x 1520 - 4 Mpx , 2560 x 1440 - 3.7 Mpx , 2304 x 1296 - 3 Mpx , 1920 x 1080 - 1080p , 1280 x 720 - 720p
Sensor:	1/2.7 " Progressive Scan CMOS
Lens:	2.8 mm
View angle:	104 °
Range of IR illumination:	50 m
Memory card slot:	Micro SD memory cards up to 512GB support (possible local recording)
Image compression method:	S+265 / H.265 / H.264
Audio:	<ul style="list-style-type: none">• Microphone built-in• Audio input• Audio output
Alarm inputs / outputs:	1 / 1
Main stream frame rate:	<ul style="list-style-type: none">• 25 fps @ 5 Mpx• 50 fps @ 2 Mpx
Interface:	10/100 Base-TX (RJ-45)
WEB Server:	Built-in

DELTA-OPTI Monika Matysiak; <https://www.delta.poznan.pl>
POL; 60-713 Poznań; Graniczna 10
e-mail: delta-opti@delta.poznan.pl; tel: +(48) 61 864 69 60

Max. number of on-line users:	2
ONVIF:	✓
Mobile phones support:	Port no.: 3000 or access by a cloud (P2P) <ul style="list-style-type: none"> • Android: Free application EasyLive Plus • iOS (iPhone): Free application EasyLive Plus
Access from PC:	Port no.: 3000 or access by a cloud (P2P) - PC: Free application Easy7 Smart Client Express
Default IP address:	192.168.1.2
Default admin user / password:	admin / - The administrator password should be set at the first start
Web browser access ports:	80, 433, 3000, 3001, 3002, 23002
Mobile client access ports:	3000, 3001
PC client access ports:	3000, 3001
Port ONVIF:	80
Intelligent image analysis:	<ul style="list-style-type: none"> • classification of people and vehicles • video tampering • crossing the line (tripwire) • intrusion • face detection
Main features:	<ul style="list-style-type: none"> • WDR - 120 dB - Wide Dynamic Range • 3D-DNR - Digital Noise Reduction • F-DNR (Defog) - Reduction of image noise caused by precipitation • ROI - improve the quality of selected parts of image • Corridor mode • NAS - Network Attached Storage support - allows to connect memory resources directly to the computer network • ANR - Automatic Network Replenishment allows to save image to the card when the network connection with DVR is break (network failure) and next synchronize its • BLC/HLC - Back Light / High Light Compensation • ICR - Movable InfraRed filter • Day/night mode • Possibility to change the resolution, quality and bit rate
Power supply:	<ul style="list-style-type: none"> • PoE (802.3af), • 12 V DC / 670 mA
Power consumption:	≤ 8 W
Housing:	Compact - Metal
Color:	White
"Index of Protection":	IP67
Vandal-proof:	—
Operation temp:	-40 °C ... 65 °C
Weight:	0.51 kg
Dimensions:	162 x 71 x 71 mm
Supported languages:	Polish, English, Albanian, Arabic, French, Hebrew, Spanish, Dutch, Korean, Portuguese, German, Russian, Thai, Turkish, Ukrainian, Italian, Vietnamese
Manufacturer / Brand:	TIANDY
Guarantee:	3 years

PRESENTATION



DELTA-OPTI Monika Matysiak; <https://www.delta.poznan.pl>
POL; 60-713 Poznań; Graniczna 10
e-mail: delta-opti@delta.poznan.pl; tel: +(48) 61 864 69 60



Side view:



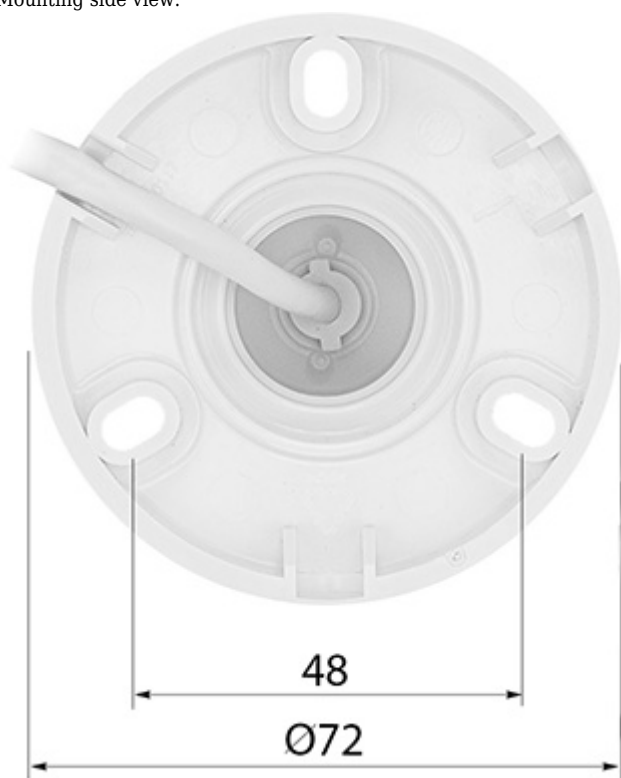
Bottom view:



Memory card slot and "Reset" button:



Mounting side view:



Connectors:



In the kit:



OUR TESTS

Camera image at artificial illumination (about 30Lux):



Camera image at night conditions with internal built-in IR illuminator on:



Camera image at direct strong light opposite to camera:



PACKAGE

Dimensions (L x W x H): 0x0x0 mm	Gross Weight: 0 kg
----------------------------------	--------------------



DELTA-OPTI Monika Matysiak; <https://www.delta.poznan.pl>
POL; 60-713 Poznań; Graniczna 10
e-mail: delta-opti@delta.poznan.pl; tel: +(48) 61 864 69 60