

Code: APTI-29C61-2812WP

## IP CAMERA **APTI-29C61-2812WP** - 1080p 2.8 ... 12 mm

Net: **318.40 PLN** Gross: **318.40 PLN**

IP camera with efficient H.264 / H.265 image compression algorithm for clear and smooth video streaming at maximal resolution of 1080p.

Camera bracket allows to adjust the camera to any direction, and power cables are hidden inside the bracket. The range of IR illumination according to the manufacturer data, depends on outer conditions (visibility - air transparency, environment, wall colors ie. scene reflectance).

PoE powering possibility, compatible with the 802.3af standard makes the device more universal and easier to install.



### SPECIFICATION

Standard:	TCP/IP
Sensor:	1/2.8 " Sony CMOS IMX290
Digital Image Processor:	Ambarella S3L22M
Matrix size:	2.1 Mpx
Resolution:	1920 x 1080 - 1080p
Lens:	2.8 ... 12 mm, 3 Mpx
View angle:	<ul style="list-style-type: none"><li>• 94 ° ... 29 ° (manufacturer data)</li><li>• 95 ° ... 37 ° (our tests result)</li></ul>
S/N ratio:	> 52 dB
Range of IR illumination:	60 m
IR illuminator power adjustment:	Automatic
Image compression method:	H.265 / H.264 / MJPEG
Alarm inputs / outputs:	—
Audio:	—
Bitrate:	64 ... 12000 kbps
Main stream frame rate:	25 fps @ 1080p
Network interface:	10/100 Base-T (RJ-45)
Network protocols:	TCP/IP, ICMP, HTTP, HTTPS, FTP, DHCP, DNS, DDNS, RTP, RTSP, RTCP, NTP, SMTP
Default IP address:	192.168.1.168
Default admin user / password:	admin / admin
Web browser access ports:	80

DELTA-OPTI Monika Matysiak; <https://www.delta.poznan.pl>  
POL; 60-713 Poznań; Graniczna 10  
e-mail: [delta-opti@delta.poznan.pl](mailto:delta-opti@delta.poznan.pl); tel: +(48) 61 864 69 60

PC client access ports:	80
WEB Server:	Built-in
Mobile client access ports:	80
Max. number of on-line users:	10
Port ONVIF:	80
ONVIF:	2.4
RTSP URL:	rtsp://user:password@ip_address:80/0 - Main stream rtsp://user:password@ip_address:80/1 - Sub stream
Mobile phones support:	Port no.: 80 or access by a cloud (P2P) • Android: Free application <a href="#">FREEIP</a> • iOS (iPhone): Free application <a href="#">FREEIP</a>
RS-485 interface:	—
Main features:	<ul style="list-style-type: none"> <li>• HDR (High Dynamic Range) - the wide range of light dynamics provides a very good distinguishing of details on both the light and the dark areas of the image</li> <li>• 3D-DNR - Digital Noise Reduction</li> <li>• ICR - Movable InfraRed filter</li> <li>• ISO+ - improve image quality when working at night conditions with active IR illuminator</li> <li>• Possibility to change the resolution, quality and bit rate</li> <li>• Motion Detection</li> <li>• Privacy zones</li> <li>• Mirror - Mirror image</li> <li>• Day/Night mode - configurable</li> </ul>
Power supply:	<ul style="list-style-type: none"> <li>• PoE (802.3af),</li> <li>• 12 V DC / 650 mA</li> </ul>
Power consumption:	≤ 7.8 W
Housing:	Compact, Metal
Color:	White
"Index of Protection":	IP66
Supported languages:	English, Bulgarian, Chinese, French, Spanish, Japanese, Korean, German, Polish, Portuguese, Russian, Turkish, Italian
Operation temp:	-20 °C ... 55 °C
Weight:	1.04 kg
Dimensions:	283 x 90 x 80 mm
Manufacturer / Brand:	APTI
Guarantee:	2 years

## PRESENTATION



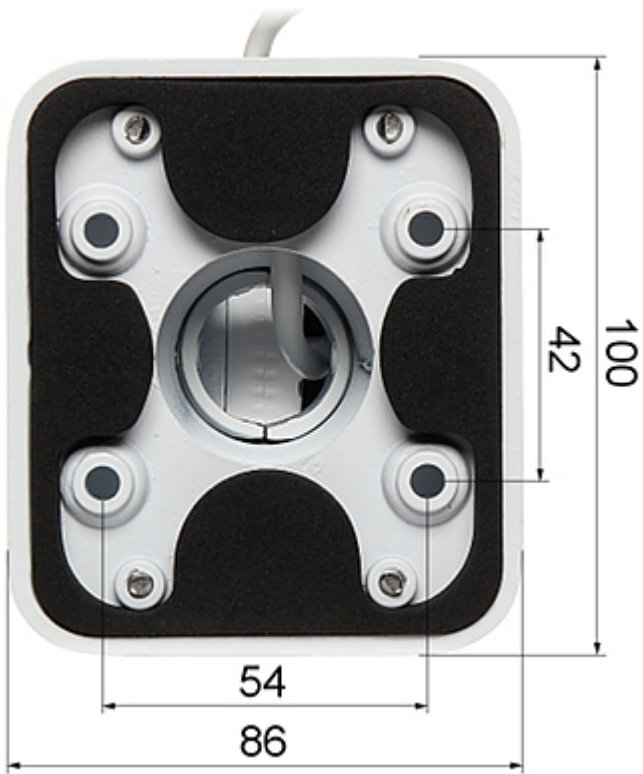
Side view:



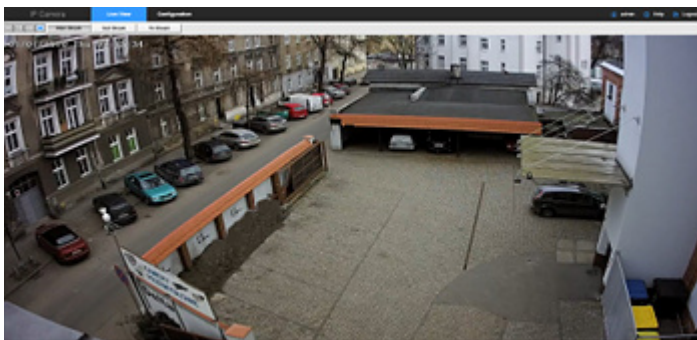
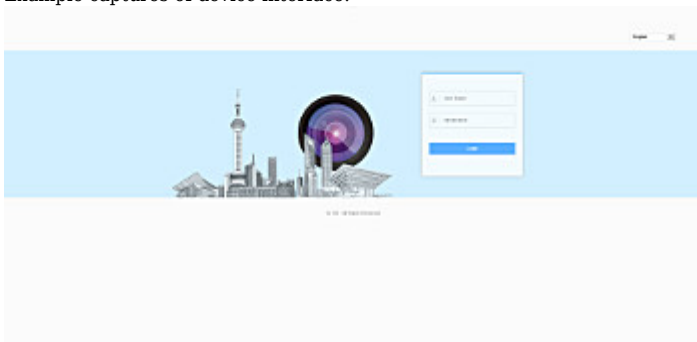
Bottom view:



Bracket dimensions:



Example captures of device interface:



In the kit:



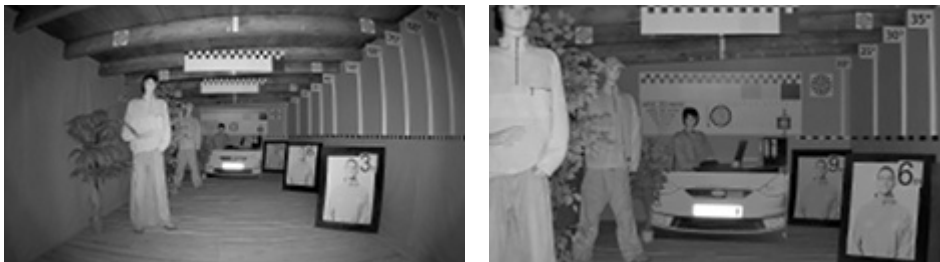
Configuration and operation of the FreeIP cloud:  
:

**OUR TESTS**

Camera image at artificial illumination (about 30Lux):



Camera image at night conditions with internal built-in IR illuminator on:



Camera image at direct strong light opposite to camera:



**PACKAGE**

Dimensions (L x W x H): 0x0x0 mm	Gross Weight: 0 kg
----------------------------------	--------------------



DELTA-OPTI Monika Matysiak; <https://www.delta.poznan.pl>  
 POL; 60-713 Poznań; Graniczna 10  
 e-mail: delta-opti@delta.poznan.pl; tel: +(48) 61 864 69 60