

Code: DS-2CD1641FWD-IZ(2.8-12mm)

## IP CAMERA DS-2CD1641FWD-IZ(2.8-12mm) - 4.0 Mpx Hikvision

Net: 1 154.00 PLN Gross: 1 154.00 PLN

IP camera with efficient H.264 image compression algorithm for clear and smooth video streaming at maximal resolution of 2688 x 1520 (4.0 MPx). Due to above it is perfect solution for surveillance systems requiring persons or vehicles recognition. The used motozoom lens with 2.8 ... 12 mm focal length allows to remote view angle adjustment.

Very easy operation by Internet Explorer browser allows the users to convenient and remote support, and also remote management of the camera. Included camera software enables management and integrated monitoring of many network cameras.



### SPECIFICATION

|                           |   |
|---------------------------|---|
| Standard:                 | TCP/IP  |
| Sensor:                   | 1/3 " Progressive Scan CMOS   |
| Matrix size:              | 4.0 Mpx   |
| Resolution:               | 2688 x 1520 - 4.0 Mpx ,<br>2304 x 1296 - 3.0 Mpx ,<br>1920 x 1080 - 1080p<br>1280 x 720 - 720p  |
| Lens:                     | 2.8 ... 12 mm - Motozoom  |
| View angle:               | <ul style="list-style-type: none"><li>• 108 ° ... 31 ° (manufacturer data)</li><li>• 108 ° ... 35 ° (our tests result)</li></ul>  |
| Compression:              | H.264+ / H.264 / MJPEG  |
| S/N ratio:                | > 50 dB (AGC off)   |
| Range of IR illumination: | 30 m  |
| Alarm inputs / outputs:   | —   |
| Bitrate:                  | 256 ... 16384 kbps - H.264  |
| Main stream frame rate:   | 20 fps @ 4.0 Mpx<br>25 fps @ 1080p  |
| Network interface:        | 10/100 Base-T (RJ-45)   |
| Network protocols:        | TCP/IP, ICMP, HTTP, HTTPS, FTP, DHCP, DNS, DDNS, RTP, RTSP, RTCP, NTP, UPnP, SMTP, SNMP, IGMP, IEEE 802.1x, QoS, IPv6, Bonjour  |
| Audio:                    | —   |
| WEB Server:               | Built-in, NVR compliance  |
| Memory card slot:         | Micro SD memory cards up to 128GB support (possible local recording)  |
| Mobile phones support:    | Port no.: 8000 or access by a cloud (P2P)<br><ul style="list-style-type: none"><li>• Android: Free application <a href="#">iVMS-4500</a> or <a href="#">Hik-Connect</a></li><li>• iOS (iPhone): Free application <a href="#">iVMS-4500</a> or <a href="#">Hik-Connect</a></li></ul> |

DELTA-OPTI Monika Matysiak; <https://www.delta.poznan.pl>  
POL; 60-713 Poznań; Graniczna 10  
e-mail: [delta-opti@delta.poznan.pl](mailto:delta-opti@delta.poznan.pl); tel: +(48) 61 864 69 60

|                                |  |
|--------------------------------|--|
| Default admin user / password: | admin / -  |
| Default IP address:            | 192.168.1.64   |
| Web browser access ports:      | 80   |
| PC client access ports:        | Port no.: 8000 or access by a cloud (P2P) - iVMS-4200 application  |
| Mobile client access ports:    | 8000   |
| Port ONVIF:                    | 80   |
| RTSP URL:                      | <ul style="list-style-type: none"> <li>• Main stream<br/>rtsp://192.168.1.64:554/Streaming/Channels/101/ - RTSP - without authorization<br/>rtsp://user:password@192.168.1.64:554/Streaming/Channels/101/ - with authorization</li> <li>• Sub stream<br/>rtsp://192.168.1.64:554/Streaming/Channels/102/ - RTSP - without authorization<br/>rtsp://user:password@192.168.1.64:554/Streaming/Channels/102/ - with authorization</li> </ul>  |
| RS-485 interface:              | —  |
| Max. number of on-line users:  | 6  |
| Main features:                 | <ul style="list-style-type: none"> <li>• ICR - Movable InfraRed filter</li> <li>• WDR - 120 dB - Wide Dynamic Range</li> <li>• 3D-DNR - Digital Noise Reduction</li> <li>• AGC - Automatic Gain Control</li> <li>• WB - White Balance (ATW/AWB/manual/indoor/outdoor)</li> <li>• BLC - configurable Back Light Compensation</li> <li>• HLC - High Light Compensation (spot)</li> <li>• Day/Night mode (color/b&amp;w/auto)</li> <li>• Motion Detection</li> <li>• Configurable Privacy Zones</li> <li>• Mirror - Mirror image</li> <li>• Sharpness - sharper image outlines</li> </ul> |
| Power consumption:             | ≤ 11 W   |
| Operation temp:                | -30 °C ... 60 °C   |
| Color:                         | White  |
| "Index of Protection":         | IP67   |
| Power supply:                  | <ul style="list-style-type: none"> <li>• PoE (802.3af),</li> <li>• 12 V DC / 920 mA</li> </ul>   |
| Housing:                       | Compact, Metal / Plastic   |
| Supported languages:           | English, Bulgarian, Chinese, Croatian, Czech, Danish, Estonian, Finnish, French, Greek, Spanish, Dutch, Japanese, Korean, Lithuanian, Latvian, German, Norwegian, Polish, Portuguese, Russian, Romanian, Serbian, Slovak, Slovenian, Swedish, Thai, Turkish, Hungarian, Vietnamese, Italian  |
| Weight:                        | 1.03 kg  |
| Dimensions:                    | Ø 90 x 294   |
| Manufacturer / Brand:          | Hikvision  |
| SAP Code:                      | 300726265  |
| Guarantee:                     | <b>3 years</b>   |

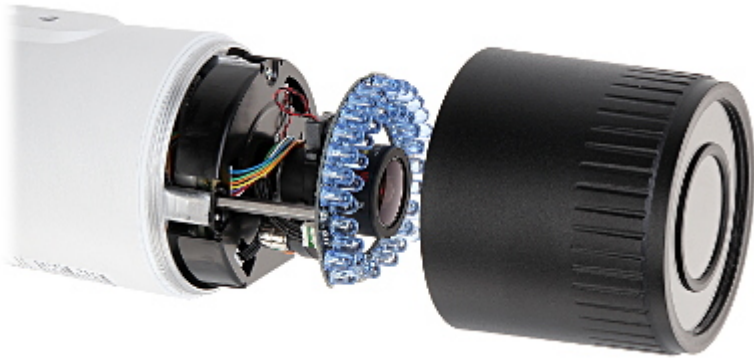
## PRESENTATION



DELTA-OPTI Monika Matysiak; <https://www.delta.poznan.pl>  
POL; 60-713 Poznań; Graniczna 10  
e-mail: delta-opti@delta.poznan.pl; tel: +(48) 61 864 69 60



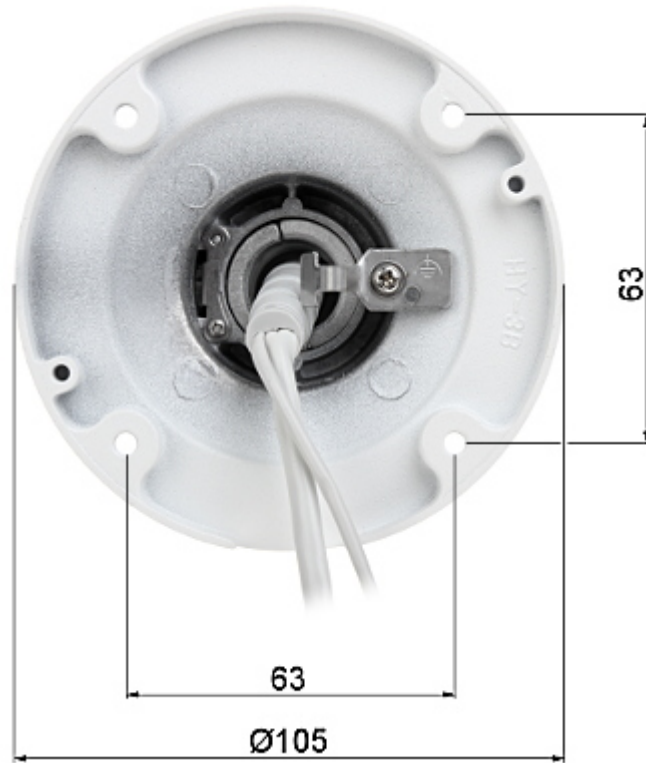
View after remove the cover:



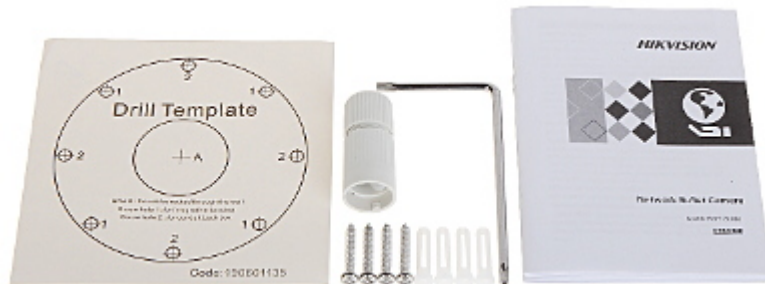
Side view:



Camera mounting side view:



In the kit:



## OUR TESTS

Camera image at artificial illumination (about 30Lux):

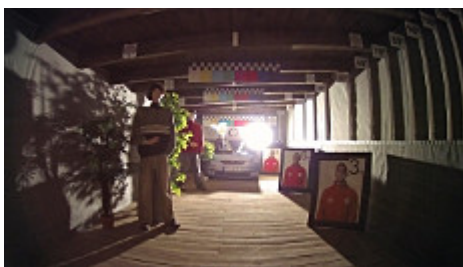


Camera image at night conditions with internal built-in IR illuminator on:

DELTA-OPTI Monika Matysiak; <https://www.delta.poznan.pl>  
POL; 60-713 Poznań; Graniczna 10  
e-mail: [delta-opti@delta.poznan.pl](mailto:delta-opti@delta.poznan.pl); tel: +(48) 61 864 69 60



Camera image at direct strong light opposite to camera:



## OUR OPINIONS



- Motozoom lens.

## PACKAGE

|                                  |                    |
|----------------------------------|--------------------|
| Dimensions (L x W x H): 0x0x0 mm | Gross Weight: 0 kg |
|----------------------------------|--------------------|



DELTA-OPTI Monika Matysiak; <https://www.delta.poznan.pl>  
POL; 60-713 Poznań; Graniczna 10  
e-mail: delta-opti@delta.poznan.pl; tel: +(48) 61 864 69 60