

Code: APTI-H24C6-2714W-Z

AHD, HD-CVI, HD-TVI, PAL CAMERA **APTI-H24C6-2714W-Z** - 1080p 2.7 ...  
13.5 mm - MOTOZOOM  
Net: **67.07 EUR** Gross: **67.07 EUR**

Megapixel camera with 1/2.9" Sony CMOS sensor and AHD / HD-CVI / HD-TVI / PAL.

The AHD / HD-CVI / HD-TVI interface allows to transmission of analog video signal via coaxial cable in 1080p resolution. It enables the transmission of HD resolution images for even 500 m distance with keeping the low costs of the installation. During transmission there are no delays and is maintained the original, high quality image.

The used motozoom lens with 2.7 ... 13.5 mm focal length allows to remote view angle adjustment.

Setting the camera in PAL mode allows to obtain an image in 960H resolution. The appropriate signal format selection is done by tilting and holding the joystick for 5 s without entering to the OSD menu. Changing the signal to the NTSC in the camera causes loss of image in connected AHD/HD-CVI/HD-TVI recorder.

**Attention!** After connecting the power supply, you can change the standard with a joystick only once. To re-change the standard with the joystick, reconnect the power to the camera. After changing the standard, the joystick controls the camera lens (up, down). Controlling the lens over coaxial cable works only in AHD / TVI mode.



## SPECIFICATION

Standard:	AHD, HD-CVI, HD-TVI, PAL
Sensor:	1/2.9 " Sony CMOS IMX322
Digital Image Processor:	HTC1088
Matrix size:	2.4 Mpx
Resolution:	1920 x 1080 - 1080p , 1280 x 720 - 720p , 960 x 576 - 960H, PAL
Range of IR illumination:	60 m
IR illuminator power adjustment:	Automatic
Lens:	2.7 ... 13.5 mm - Motozoom
View angle:	<ul style="list-style-type: none"><li>• 83 ° ... 20 ° (manufacturer data)</li><li>• 91 ° ... 31 ° (our tests result)</li></ul>
S/N ratio:	> 50 dB
Video output:	1 Vpp 75 Ω, AHD / HD-CVI / HD-TVI / PAL - selectable by switch



DELTA-OPTI Monika Matysiak; <https://www.delta.poznan.pl>  
POL; 60-713 Poznań; Graniczna 10  
e-mail: [delta-opti@delta.poznan.pl](mailto:delta-opti@delta.poznan.pl); tel: +(48) 61 864 69 60

Main features:	<ul style="list-style-type: none"> <li>• Motozoom lens - The ability to control via coaxial cable from recorder - AHD / HD-TVI only</li> <li>• WDR - Wide Dynamic Range</li> <li>• 3D-DNR - Digital Noise Reduction</li> <li>• Sense-UP - increase the camera sensitivity x30</li> <li>• F-DNR (Defog) - Reduction of image noise caused by precipitation</li> <li>• ICR - Movable InfraRed filter</li> <li>• BLC/HLC - Back Light / High Light Compensation</li> <li>• Mirror - Mirror image</li> <li>• Auto White Balance</li> <li>• Configurable Privacy Zones</li> <li>• Motion Detection - max. 4 configurable zones</li> <li>• Sharpness - sharper image outlines</li> </ul>
OSD menu:	✓
"Index of Protection":	IP66
Power supply:	12 V DC / 850 mA
Power consumption:	≤ 10.5 W
Housing:	Compact - Aluminum
Color:	White
Operation temp:	-20 °C ... 50 °C
Weight:	1.272 kg
Dimensions:	310 x 102 x 101 mm
Supported languages:	English, Chinese, Japanese, Korean
Manufacturer / Brand:	APTI
Guarantee:	2 years

## PRESENTATION

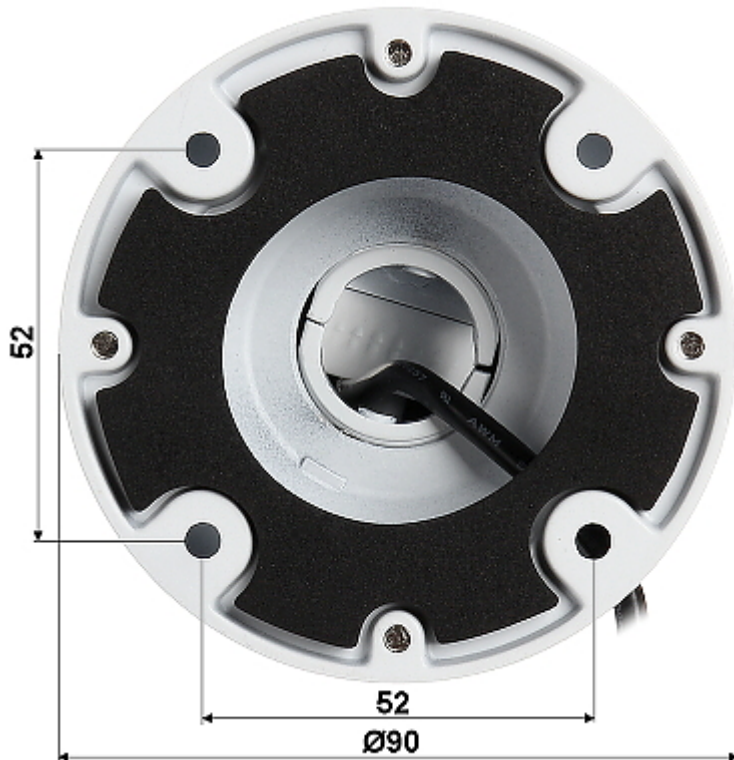
Front view:



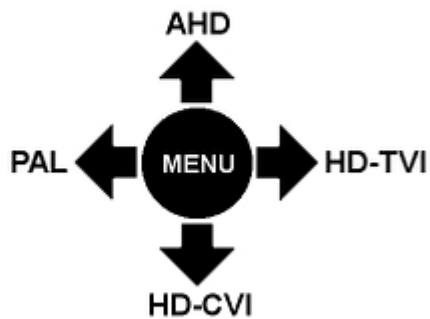
Side view:



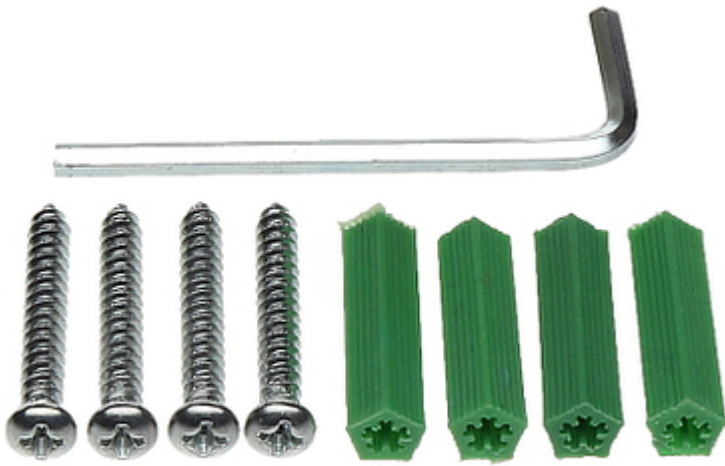
Mounting side view:



The appropriate signal format selection is done by tilting and holding the joystick for 5 s without entering to the OSD menu. Changing the signal to the NTSC in the camera causes loss of image in connected AHD recorder:



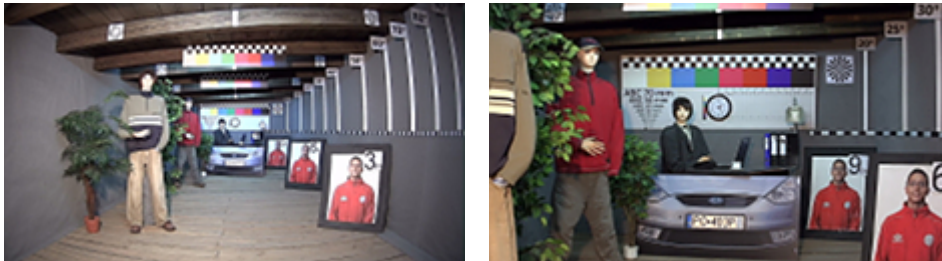
In the kit:



**OUR TESTS**

AHD:

Camera image at artificial illumination (about 30Lux):



Camera image at night conditions with internal built-in IR illuminator on:



Camera image at direct strong light opposite to camera:



HD-CVI:

Camera image at artificial illumination (about 30Lux):



Camera image at night conditions with internal built-in IR illuminator on:



Camera image at direct strong light opposite to camera:



HD-TVI:

Camera image at artificial illumination (about 30Lux):



Camera image at night conditions with internal built-in IR illuminator on:



Camera image at direct strong light opposite to camera:



## OUR OPINIONS



- Motozoom lens.

## PACKAGE

Dimensions (L x W x H): 0x0x0 mm	Gross Weight: 0 kg
----------------------------------	--------------------

