

Code: LE-601123

FLUSH-MOUNTING DISTRIBUTION CABINET 24-MODULAR **LE-601123**

Practibox LEGRAND

Net: **20.40 USD** Gross: **20.40 USD**



2-row 24-modular flush-mounting distribution electric cabinet.

SPECIFICATION

Method of mounting:	Flush-mounted
Number of mounted modules:	12 x 2 rows
Spacing between TH 35 rails:	150 mm
Transparent door:	✓
Main features:	<ul style="list-style-type: none">• Chassis with the TH 35 rails• Reversible front panel• Max. current : 63 A• Equipped with terminal blocks
Equipment:	Terminal blocks : 4 x (4 x 16 mm ² + 4 x 10 mm ²)
Material:	Self-extinguishing
Color:	White
"Index of Protection":	IP40
IK rating:	IK07
Safety class:	Grade 2
Compliance with standards:	PN-EN 60439-3, IEC/EN 61439-3
Weight:	1.34 kg
Dimensions:	334 x 376 x 122 mm , 289 x 358 x 80 mm - flush-mounting box
Manufacturer / Brand:	LEGRAND

DELTA-OPTI Monika Matysiak; <https://www.delta.poznan.pl>
POL; 60-713 Poznań; Graniczna 10
e-mail: delta-opti@delta.poznan.pl; tel: +(48) 61 864 69 60

Guarantee:

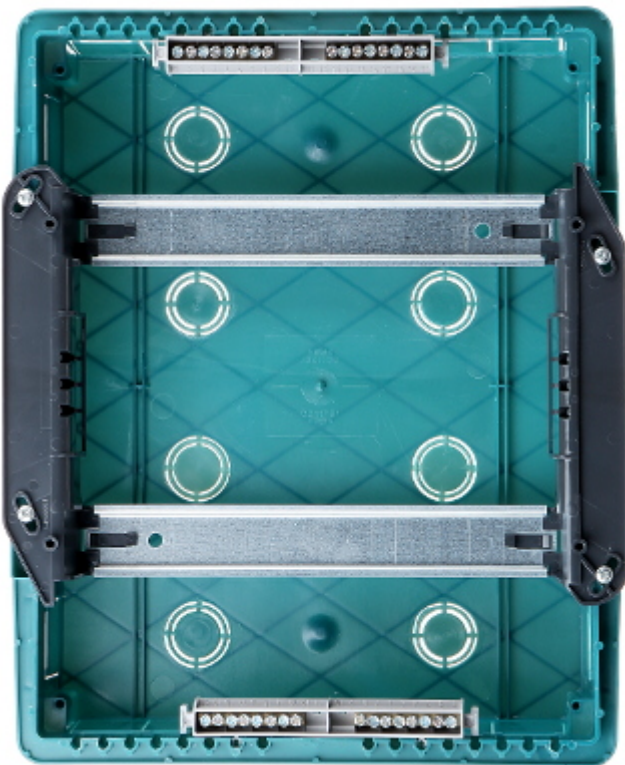
2 years

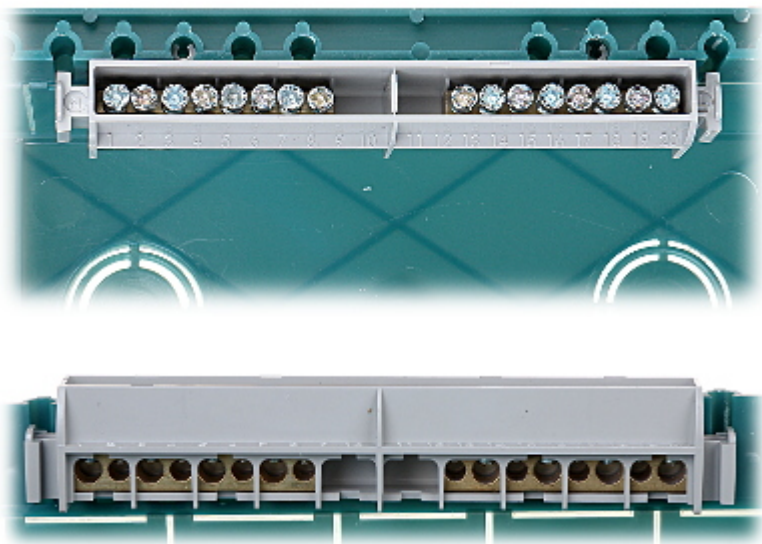
PRESENTATION

Front view:



Internal view of the housing:

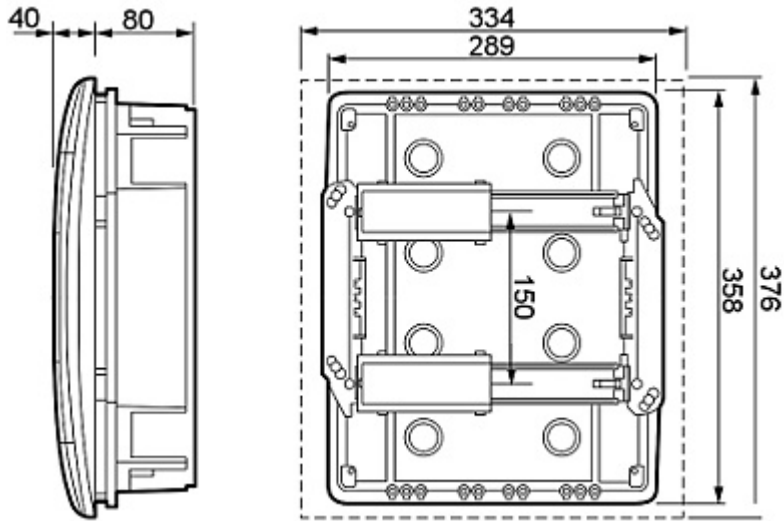




Mounting side view:



Dimensions:



In the kit:



PACKAGE

Dimensions (L x W x H): 0x0x0 mm	Gross Weight: 0 kg
----------------------------------	--------------------



DELTA-OPTI Monika Matysiak; <https://www.delta.poznan.pl>
POL; 60-713 Poznań; Graniczna 10
e-mail: delta-opti@delta.poznan.pl; tel: +(48) 61 864 69 60