

Code: BR-D1/G

## CAMERA BRACKET **BR-D1/G**

Net: 30.40 PLN Gross: 30.40 PLN



For outdoor use.

### SPECIFICATION

|                                 |   |
|---------------------------------|---|
| Mounting holes distance:        | 67 x 67 mm  |
| Number of holes:                | 4   |
| Neck diameter:                  | Ø 120 mm  |
| Suitable for cameras:           | CV70-2812/3, CV133-2812/3, CV72P-2812/3, APTI-xxV3, AHD-14V3-2812 |
| Material:                       | Aluminum  |
| Color:                          | Graphite  |
| Distance from mounting surface: | 63 mm   |
| Weight:                         | 0.23 kg   |
| Dimensions:                     | 183 x 120 x 84 mm   |
| Guarantee:                      | 2 years   |

### PRESENTATION

Mounting side view:



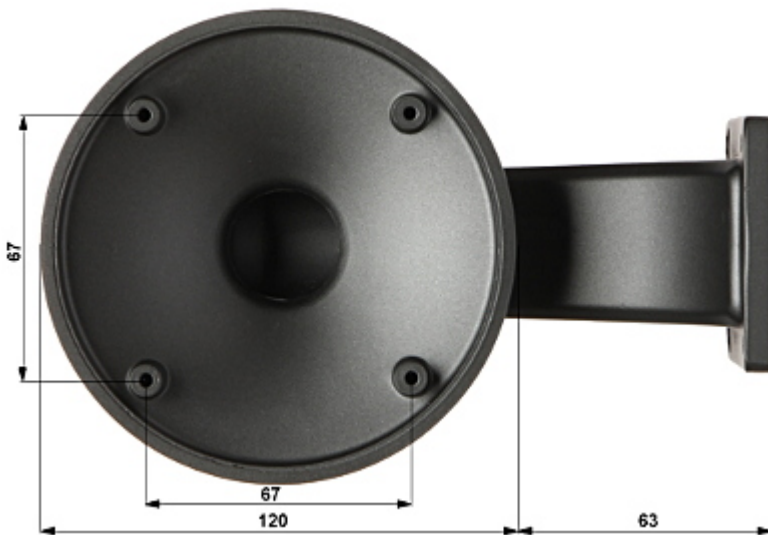
DELTA-OPTI Monika Matysiak; <https://www.delta.poznan.pl>  
POL; 60-713 Poznań; Graniczna 10  
e-mail: delta-opti@delta.poznan.pl; tel: +(48) 61 864 69 60

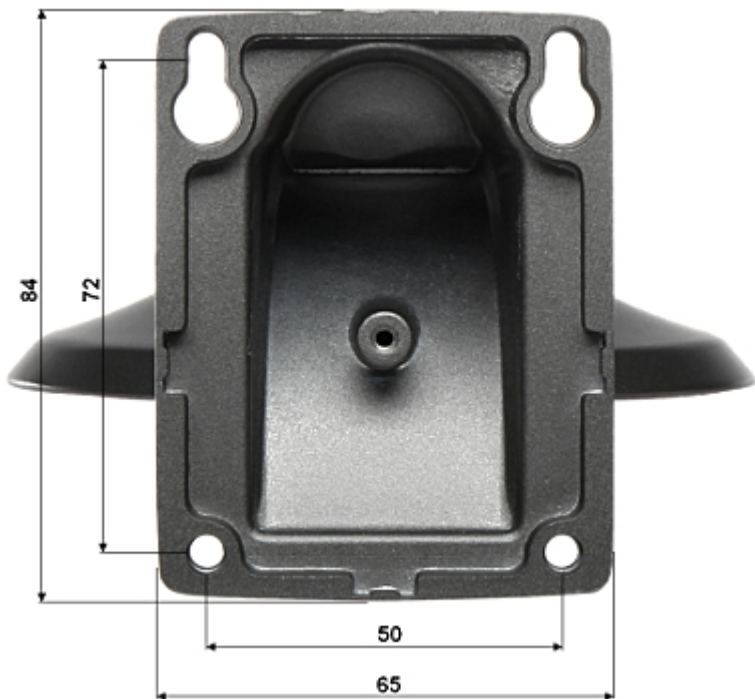


Side view:



Bracket dimensions:





In the kit:



#### PACKAGE

|                                  |                    |
|----------------------------------|--------------------|
| Dimensions (L x W x H): 0x0x0 mm | Gross Weight: 0 kg |
|----------------------------------|--------------------|

