

Code: PFA102

SPEED DOME CAMERAS ADAPTER **PFA102** DAHUA

Net: **16.05 EUR** Gross: **16.05 EUR**

Designed to Speed Dome cameras. It can be used to vandal-proof cameras installation.



SPECIFICATION

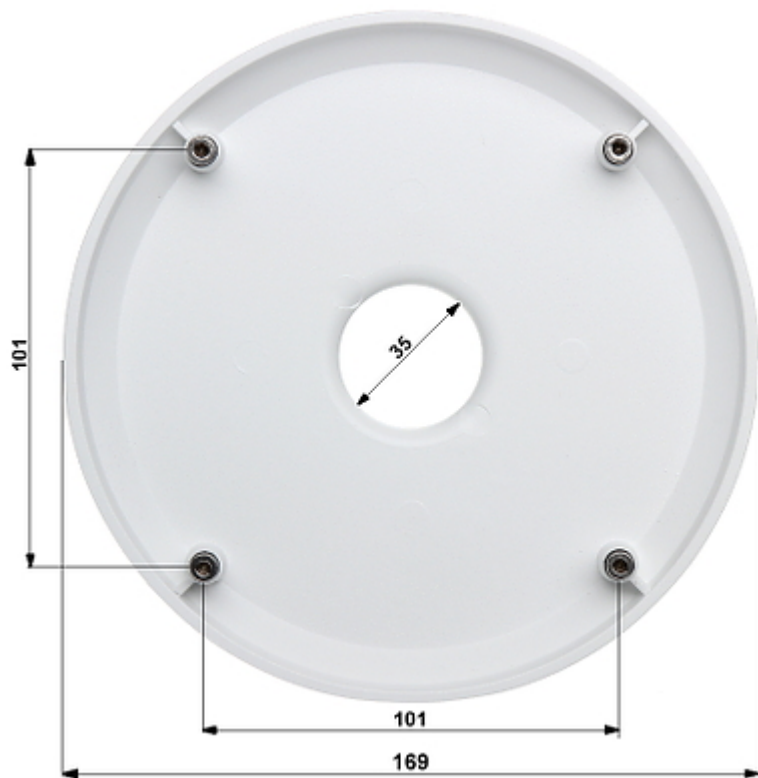
Mounting holes distance:	101 x 101 mm
Number of holes:	4
Neck diameter:	Ø 169 mm
Suitable for cameras:	DAHUA - documentation for download below.
Material:	Aluminum
Color:	White
Distance from mounting surface:	16 mm
Weight:	0.26 kg
Dimensions:	Ø 169 x 37 mm
Manufacturer / Brand:	DAHUA
Guarantee:	3 years

PRESENTATION

Camera mounting side view:



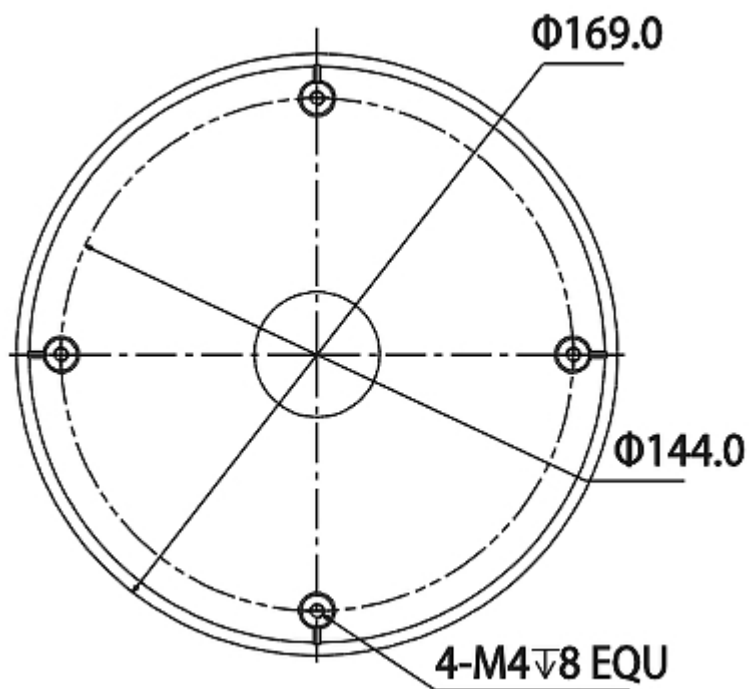
DELTA-OPTI Monika Matysiak; <https://www.delta.poznan.pl>
POL; 60-713 Poznań; Graniczna 10
e-mail: delta-opti@delta.poznan.pl; tel: +(48) 61 864 69 60



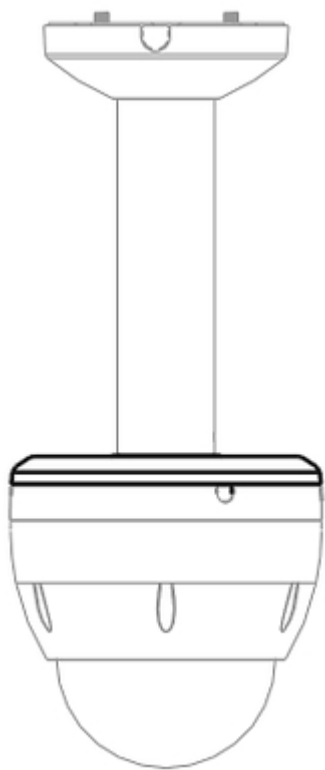
Side view:



Dimensions:



Example of application:



PACKAGE

Dimensions (L x W x H): 0x0x0 mm	Gross Weight: 0 kg
----------------------------------	--------------------

