

Code: DS-2CE16H1T-IT(2.8mm)

## HD-TVI CAMERA **DS-2CE16H1T-IT(2.8mm)** - 5.0 Mpx Hikvision

Net: 230.00 PLN Gross: 230.00 PLN

Megapixel camera with Progressive Scan CMOS sensor and HD-TVI (High Definition Transport Video Interface).

The HD-TVI interface allows to transmission of analog video signal via coaxial cable at resolutions up to 5.0 Mpx. It enables the transmission of HD resolution images for even 500 m distance with keeping the low costs of the installation. During transmission there are no delays and is maintained the original, high quality image.

The 3-Axis integrated camera bracket has a regulation in all three planes, which allows to turn the camera to any direction. Camera is according to IP67 Index of Protection norm.



### SPECIFICATION

Standard:	HD-TVI
Sensor:	Progressive Scan CMOS
Matrix size:	5.0 Mpx
Resolution:	2592 x 1944 - 5.0 Mpx @ 20 fps, 12.5 fps , 2560 x 1440 - 4.0 Mpx @ 30 fps, 25 fps , 1920 x 1080 - 1080p @ 25 fps
Range of IR illumination:	20 m
IR illuminator power adjustment:	Automatic
Lens:	2.8 mm
View angle:	<ul style="list-style-type: none"><li>• 87 ° (manufacturer data)</li><li>• 91 ° (our tests result)</li></ul>
S/N ratio:	> 62 dB
Video output:	1 Vpp / 75 Ω - HD-TVI, BNC socket
Main features:	<ul style="list-style-type: none"><li>• D-WDR - Wide Dynamic Range</li><li>• DNR - Digital Noise Reduction</li><li>• EXIR - high-efficiency infrared LEDs technology, which evenly covers the whole plan of both central vantage points of the scene as well as the corners</li><li>• Flicker Control - The technology eliminates the tiring eyes flickering image effect</li><li>• ICR - Movable InfraRed filter</li><li>• Mirror - Mirror image</li><li>• BLC - Back Light Compensation</li><li>• AGC - Automatic Gain Control</li><li>• Auto White Balance</li><li>• Sharpness - sharper image outlines</li></ul>
OSD menu:	OSD menu available via Hikvision HD-TVI recorder
Power supply:	12 V DC / 416 mA

DELTA-OPTI Monika Matysiak; <https://www.delta.poznan.pl>  
POL; 60-713 Poznań; Graniczna 10  
e-mail: delta-opti@delta.poznan.pl; tel: +(48) 61 864 69 60

Power consumption:	≤ 5 W
Housing:	Compact, Metal
Color:	White / Black
"Index of Protection":	IP67
Operation temp:	-40 °C ... 60 °C
Weight:	0.35 kg
Dimensions:	163 x 61 x 58 mm
Supported languages:	English
Manufacturer / Brand:	Hikvision
SAP Code:	300508336
Guarantee:	<b>3 years</b>

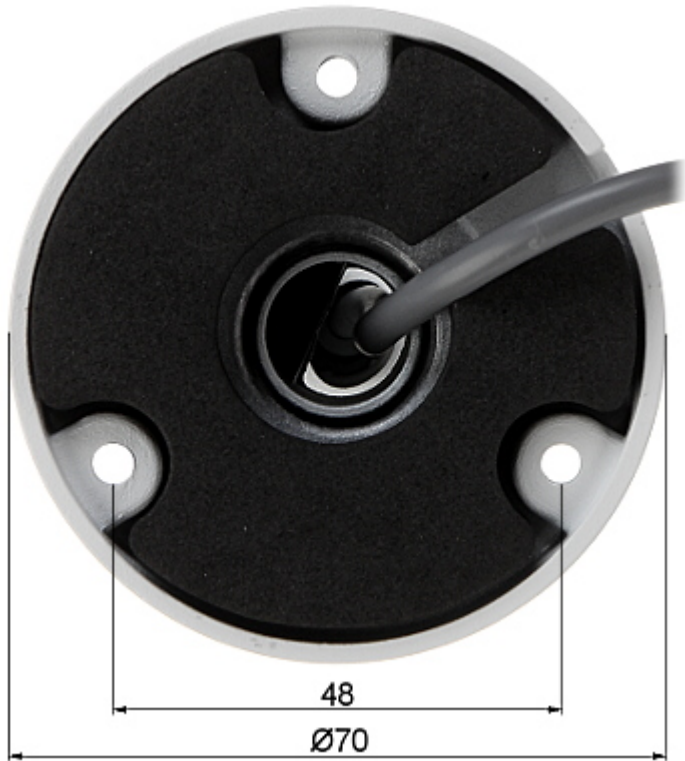
## PRESENTATION



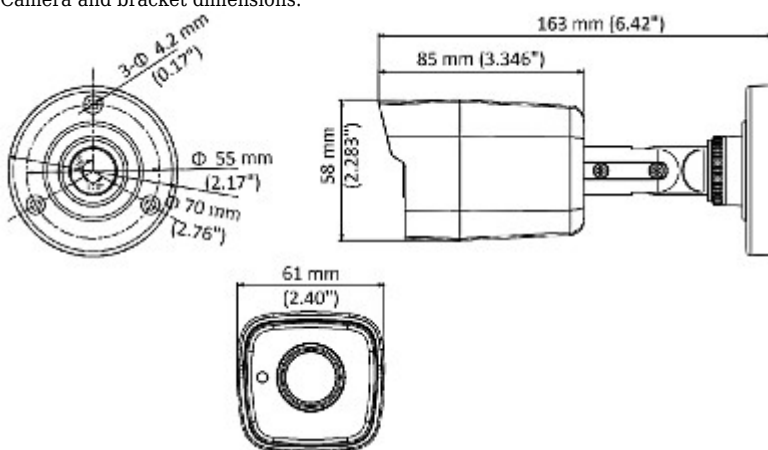
Side view:



Mounting side view:



Camera and bracket dimensions:



In the kit:



**OUR TESTS**

Camera image at artificial illumination (about 30Lux):



Camera image at night conditions with internal built-in IR illuminator on:



Camera image at direct strong light opposite to camera:



## PACKAGE

Dimensions (L x W x H): 0x0x0 mm	Gross Weight: 0 kg
----------------------------------	--------------------