

Code: M12D-W/RJ45-G

ANGULAR ADAPTER M12D-W/RJ45-G

Net: 20.66 CHF Gross: 20.66 CHF



SPECIFICATION

Connector type:	Angular adapter : RJ-45 socket / M12, 4-pin plug
Material:	Metal / PET
Main features:	<ul style="list-style-type: none">• Very easy and quick assembly• "Index of Protection" : IP68 - M12• Ethernet : Cat. 5e
Weight:	0.035 kg
Dimensions:	40.8 x 30.7 x 23 mm
Guarantee:	2 years

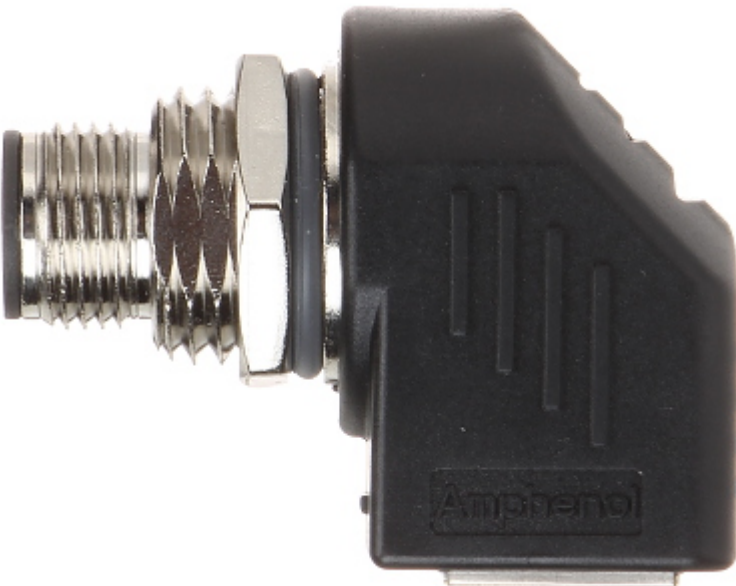
PRESENTATION

Connectors:

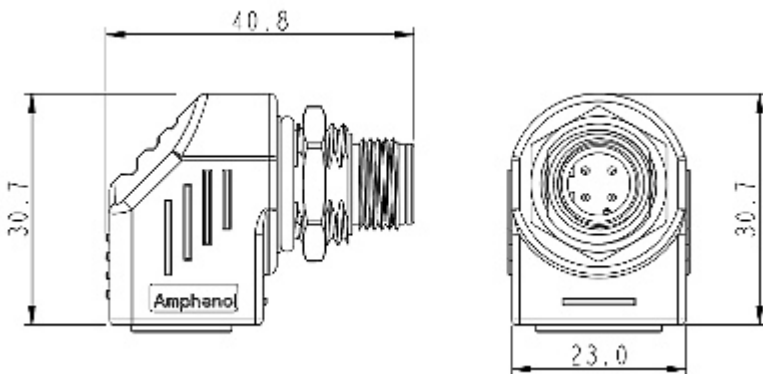




Side view:



Dimensions:



PACKAGE

DELTA-OPTI Monika Matysiak; <https://www.delta.poznan.pl>
POL; 60-713 Poznań; Graniczna 10
e-mail: delta-opti@delta.poznan.pl; tel: +(48) 61 864 69 60

Dimensions (L x W x H): 0x0x0 mm	Gross Weight: 0 kg
----------------------------------	--------------------

