

Code: KSG-4.7/1.0*P100

FEMALE CONNECTOR **KSG-4.7/1.0*P100**

Net: 3.02 EUR Gross: 3.02 EUR

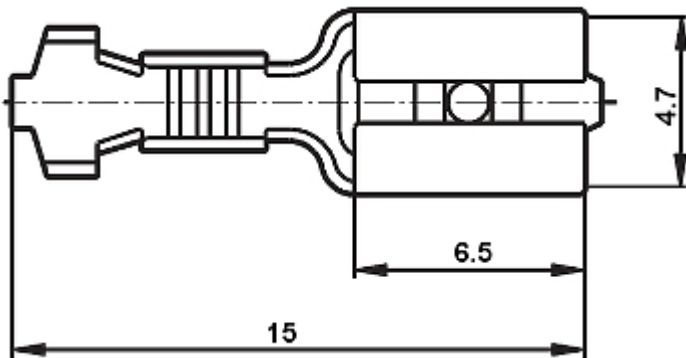


SPECIFICATION

In package:	100 pcs The price for package
Application:	Stranded wires
Internal width:	4.7 mm
Cross section:	0.5 ... 1 mm ²
Material:	Brass
Dimensions:	15 x 6.3 x 4.7 mm
Guarantee:	2 years

PRESENTATION

Dimensions:



Female connector and suitable male connector:

DELTA-OPTI Monika Matysiak; <https://www.delta.poznan.pl>
POL; 60-713 Poznań; Graniczna 10
e-mail: delta-opti@delta.poznan.pl; tel: +(48) 61 864 69 60



Package:



PACKAGE

Dimensions (L x W x H): 0x0x0 mm	Gross Weight: 0 kg
----------------------------------	--------------------