

Code: DH-IPC-EBW8630P

# IP VANDALPROOF CAMERA **DH-IPC-EBW8630P** - 6.3 Mpx 1.7 mm - Fish Eye DAHUA

Net: **2 956.00 PLN** Gross: **2 956.00 PLN**

IP camera with "fish eye" wide-angle lens. Included camera software enables management and integrated monitoring of many network cameras. Its using allows to create large surveillance system.



## SPECIFICATION

Standard:	TCP/IP
Sensor:	1/1.8 " STARVIS™ CMOS
Matrix size:	6.3 Mpx
Scanning system:	Progressive
Resolution:	3072 x 2048 - 6.3 Mpx , 2048 x 2048 - 4.2 Mpx , 2048 x 1536 - 3.1 Mpx , 1600 x 1200 - 1.9 Mpx
Lens:	1.7 mm - Fish Eye / F2.0
View angle:	180 °
Range of IR illumination:	10 m
S/N ratio:	> 50 dB
RS-485 interface:	—
Image compression method:	H.265 / H.264 / MJPEG
Alarm inputs / outputs:	2 / 2
Audio:	<ul style="list-style-type: none"><li>• Microphone built-in</li><li>• External microphone input</li><li>• Audio output</li><li>• Bi-directional audio streaming support</li></ul>
Bitrate:	3 ... 9984 kbps H.265 8 ... 16384 kbps H.264
Main stream frame rate:	25 fps @ 6 Mpx
Network interface:	10/100 Base-T (RJ-45)
Network protocols:	HTTP, HTTPS, TCP, ARP, RTSP, RTP, UDP, SMTP, FTP, DHCP, DNS, DDNS, PPPoE, IPv4/IPv6, QoS, UPnP, NTP, Bonjour, IEEE 802.1x, Multicast, ICMP, IGMP, SNMP
Memory card slot:	Micro SD memory cards up to 128GB support (possible local recording)

DELTA-OPTI Monika Matysiak; <https://www.delta.poznan.pl>  
POL; 60-713 Poznań; Graniczna 10  
e-mail: [delta-opti@delta.poznan.pl](mailto:delta-opti@delta.poznan.pl); tel: +(48) 61 864 69 60

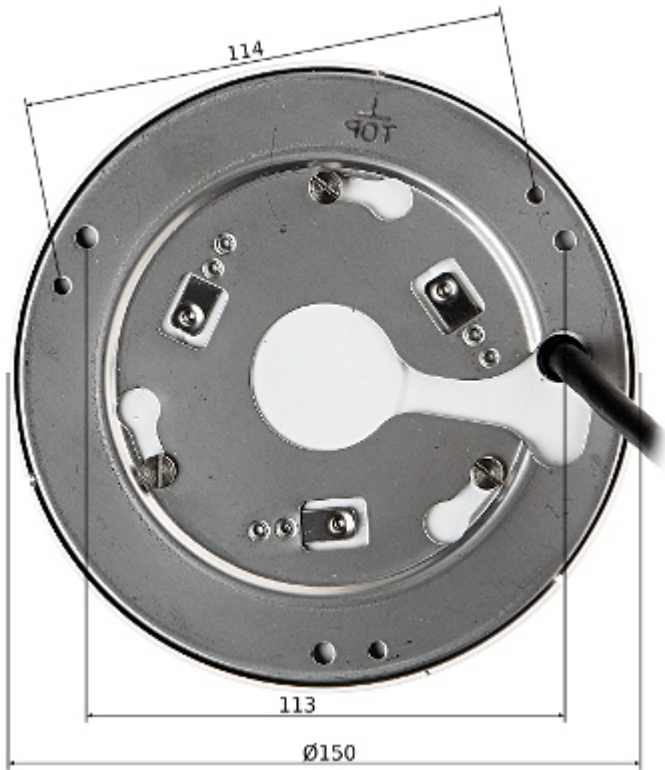
Mobile phones support:	Port no.: 37777 or access by a cloud (P2P) <ul style="list-style-type: none"> <li>• Android: Free application <a href="#">DMSS</a>, Android: Free application <a href="#">IMOU</a></li> <li>• iOS (iPhone): Free application <a href="#">DMSS</a>, iOS (iPhone): Free application <a href="#">IMOU</a></li> </ul>
Default admin user / password:	admin / admin
Default IP address:	192.168.1.108
Web browser access ports:	80, 37777
PC client access ports:	37777
Mobile client access ports:	37777
Port ONVIF:	80
RTSP URL:	rtsp://admin:haslo@192.168.1.108:554/cam/realmonitor?channel=1&subtype=0 - Main stream rtsp://admin:haslo@192.168.1.108:554/cam/realmonitor?channel=1&subtype=1 - Sub stream
WEB Server:	Built-in
Max. number of on-line users:	20
ONVIF:	2.42
Main features:	<ul style="list-style-type: none"> <li>• IVS analysis - crossing the line (tripwire), intrusion, FishEye Intellect</li> <li>• Heat map - the selection in the image by corresponding colors the areas with different traffic</li> <li>• 3D-DNR - Digital Noise Reduction</li> <li>• Possibility to change the resolution, quality and bit rate</li> <li>• Time mark and image description</li> <li>• Image rotation and mirror</li> <li>• Configurable: brightness, contrast, saturation</li> <li>• Privacy zones</li> <li>• Motion Detection</li> </ul>
Vandal-proof:	IK10
Power supply:	<ul style="list-style-type: none"> <li>• PoE (802.3af),</li> <li>• 12 V DC / 1 A</li> </ul>
Power consumption:	≤ 12 W
Housing:	Dome - Metal
Color:	White
Operation temp:	-30 °C ... 60 °C
"Index of Protection":	IP67
Weight:	0.620 kg
Dimensions:	Ø 150 x 51 mm
Supported languages:	Polish, English
Manufacturer / Brand:	DAHUA
Guarantee:	<b>3 years</b>

## PRESENTATION

Mounting side view:



DELTA-OPTI Monika Matysiak; <https://www.delta.poznan.pl>  
POL; 60-713 Poznań; Graniczna 10  
e-mail: [delta-opti@delta.poznan.pl](mailto:delta-opti@delta.poznan.pl); tel: +(48) 61 864 69 60



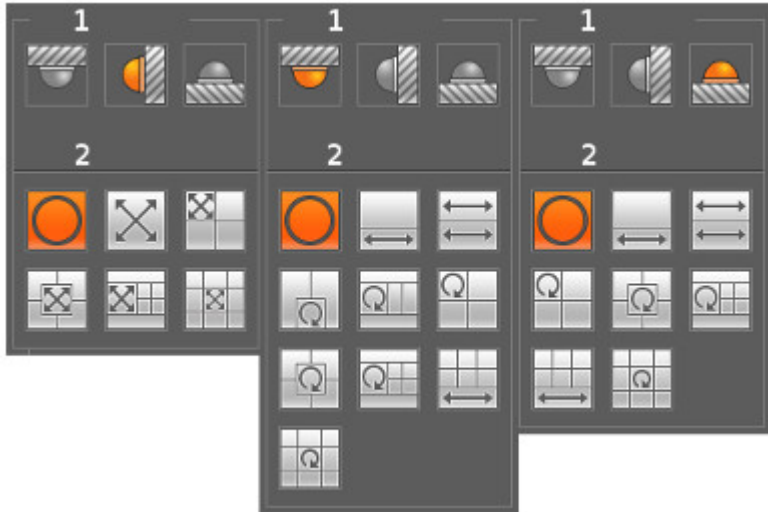
Connectors description:



Micro SD card slot is located inside the camera:



Operation modes:



1. Installation type  
 2. Display modes  
 Display modes:  
 :  
 In the kit:



**PACKAGE**

Dimensions (L x W x H): 0x0x0 mm	Gross Weight: 0 kg
----------------------------------	--------------------