

Code: IPC-HUM4231-0280B-S2

IP CAMERA **IPC-HUM4231-0280B-S2** PINHOLE - 1080p 2.8 mm DAHUA

Net: **253.65 EUR** Gross: **253.65 EUR**



Indoor micro camera equipped with very good quality CMOS sensor.

Camera is equipped with PINHOLE type lens, needs only a very small hole to get right field of view.

SPECIFICATION

Standard:	TCP/IP
Sensor:	1/2.8 " Progressive Scan CMOS
Matrix size:	2.1 Mpx
Resolution:	1920 x 1080 - 1080p , 1280 x 960 - 1.3 Mpx 1280 x 720 - 720p
Lens:	2.8 mm (pinhole)
View angle:	<ul style="list-style-type: none">• 108 ° (manufacturer data)• 100 ° (our tests result)
Min. illumination:	<ul style="list-style-type: none">• 0.005 Lux @ F2.0 / 30IRE (color)• 0.0005 Lux @ F2.0 / 30IRE (B/W)
S/N ratio:	> 56 dB
Audio:	<ul style="list-style-type: none">• External microphone input• Audio output• Bi-directional audio streaming support• Audio detection
RS-485 interface:	—
RS-232 interface:	—
Alarm inputs / outputs:	—
Image compression method:	H.265+ / H.265 / H.264+ / H.264 / MJPEG
Main stream frame rate:	25 fps @ 1080p

DELTA-OPTI Monika Matysiak; <https://www.delta.poznan.pl>
POL; 60-713 Poznań; Graniczna 10
e-mail: delta-opti@delta.poznan.pl; tel: +(48) 61 864 69 60

Network interface:	10/100 Base-T (RJ-45)
Network protocols:	IPv4/IPv6, HTTP, TCP, UDP, ARP, RTP, RTSP, RTCP, RTMP, SMTP, FTP, SFTP, DHCP, DNS, DDNS, QoS, UPnP, NTP, Multicast, ICMP, IGMP, NFS, SAMBA, PPPoE, Bonjour
ONVIF:	✓
WEB Server:	✓
Max. number of on-line users:	20
Mobile phones support:	Port no.: 37777 or access by a cloud (P2P) <ul style="list-style-type: none"> • Android: Free application DMSS • iOS (iPhone): Free application DMSS
Default admin user / password:	admin / - The administrator password should be set at the first start
Default IP address:	192.168.1.108
Web browser access ports:	80, 37777
PC client access ports:	37777
Mobile client access ports:	37777
Port ONVIF:	80
RTSP URL:	rtsp://admin:haslo@192.168.1.108:554/cam/realmonitor?channel=1&subtype=0 - Main stream rtsp://admin:haslo@192.168.1.108:554/cam/realmonitor?channel=1&subtype=1 - Sub stream
Memory card slot:	—
Main features:	<ul style="list-style-type: none"> • WDR - 120 dB - Wide Dynamic Range • 3D-DNR - Digital Noise Reduction • ROI - improve the quality of selected parts of image • BLC - Back Light Compensation • HLC - High Light Compensation (spot) • Configurable Privacy Zones • Motion Detection • Mirror - Mirror image • WB - White Balance (ATW/AWB/manual/indoor/outdoor) • AGC - Automatic Gain Control • IVS analysis - crossing the line (tripwire), intrusion, scene changing, Audio detection
Power supply:	12 V DC / 120 mA
Power consumption:	< 1.4 W
Housing:	Mini - Metal
Color:	Black
Operation temp:	-40 °C ... 60 °C
Weight:	0.08 kg
Dimensions:	<ul style="list-style-type: none"> • 44 x 35 x 30 mm • 50 cm (cable length)
Supported languages:	Polish, English
Manufacturer / Brand:	DAHUA
Guarantee:	3 years

PRESENTATION

Camera is very small:



DELTA-OPTI Monika Matysiak; <https://www.delta.poznan.pl>
POL; 60-713 Poznań; Graniczna 10
e-mail: delta-opti@delta.poznan.pl; tel: +(48) 61 864 69 60



Front view:





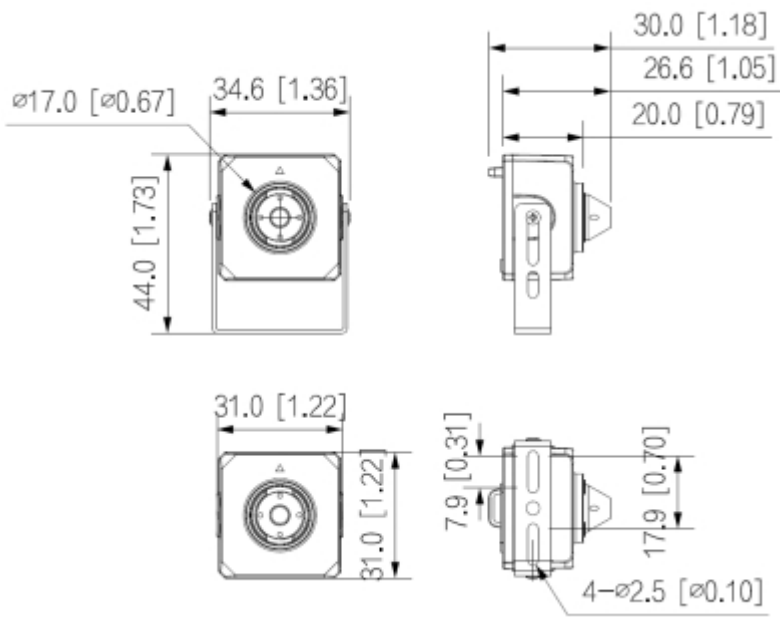
Rear view:



Camera connectors:



Camera dimensions:



See how to initialize DAHUA cameras:

:

In the kit:

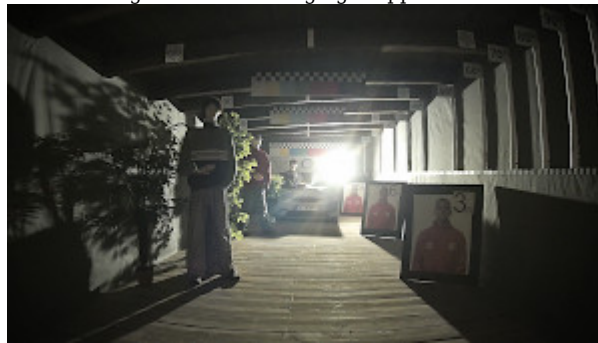


OUR TESTS

Camera image at artificial illumination (about 30Lux):



Camera image at direct strong light opposite to camera:



Camera image at night conditions, at different illumination values show below:

10 LUX:



1 LUX:



0.1 LUX:



0.01 LUX:



PACKAGE

Dimensions (L x W x H): 0x0x0 mm	Gross Weight: 0 kg
----------------------------------	--------------------