

Code: KN-CA59

## GATE MAGNETIC DETECTOR KN-CA59

Net: 30.40 PLN Gross: 30.40 PLN

The magnetic contacts can be used wherever required for controlling the status of doors, windows and/or other movable elements, e.g. for protection or monitoring of access to particular sites, spaces, facilities, in automatic control systems, etc. The contact is designed for surface mounting.



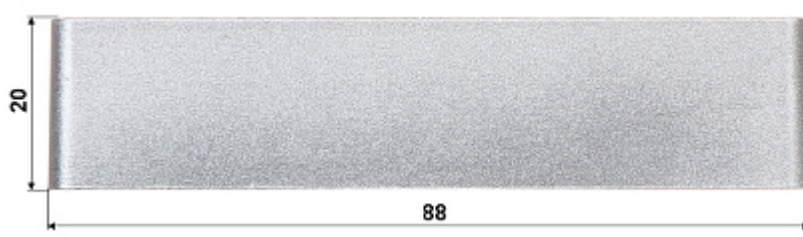
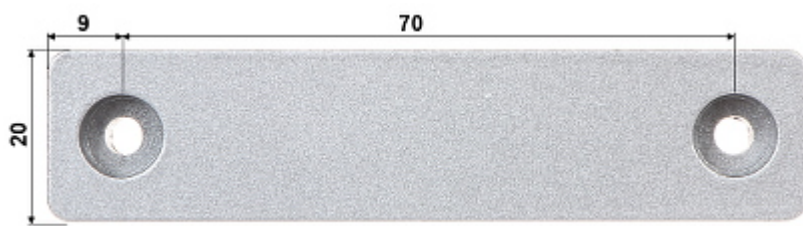
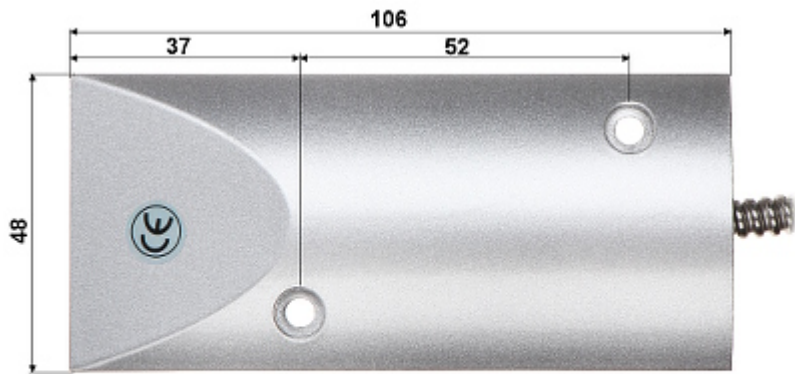
### SPECIFICATION

Detection:	Opening the door or window
Maximum reed switched voltage:	20 V
Maximal switched current:	10 mA
Make distance:	19 mm
Break distance:	20 mm
Main features:	<ul style="list-style-type: none"><li>• Rugged, metal sealed body</li><li>• NC output - a magnet close to a reed switch - does not trigger an alarm, the contacts are closed</li><li>• Length of the cables : 40 cm</li><li>• The cables are protected with a metal spiral tube with a length of 36.5 cm</li></ul>
Color:	Silver
Weight:	0.19 kg (total)
Dimensions:	106 x 48 x 9.5 mm - Reed switch 88 x 20 x 20 mm - Magnet
Guarantee:	2 years

### PRESENTATION

Dimensions:

DELTA-OPTI Monika Matysiak; <https://www.delta.poznan.pl>  
POL; 60-713 Poznań; Graniczna 10  
e-mail: delta-opti@delta.poznan.pl; tel: +(48) 61 864 69 60



In the kit:



**PACKAGE**

Dimensions (L x W x H): 0x0x0 mm	Gross Weight: 0 kg
----------------------------------	--------------------