

Code: DH-SD1A203T-GN

# IP SPEED DOME CAMERA INDOOR **DH-SD1A203T-GN** - 1080p 2.8 ... 8.1 mm DAHUA

Net: **1 243.00 PLN** Gross: **1 243.00 PLN**

IP camera equipped with very good high resolution sensor. Due to above it is perfect solution for surveillance systems requiring persons or vehicles recognition.

Built-in Infra-Red illuminator enables night monitoring. The range of IR illumination according to the manufacturer data, depends on outer conditions (visibility - air transparency, environment, wall colors ie. scene reflectance). Thanks to the "Starlight" technology used, the camera only needs very low lighting to obtain a clear color image.

For a few models of IP cameras working at  $\geq 1920 \times 1080$  resolution we recommend to use of network with 1Gb/s bandwidth.



## SPECIFICATION

|                                  |   |
|----------------------------------|---|
| Standard:                        | TCP/IP  |
| Sensor:                          | 1/2.8 " STARVIS™ CMOS   |
| Matrix size:                     | 2.1 Mpx   |
| Resolution:                      | 1920 x 1080 - 1080p<br>1280 x 720 - 720p                                |
| Scanning system:                 | Progressive   |
| Lens:                            | 2.8 ... 8.1 mm  |
| View angle:                      | 106 ° ... 35 ° (manufacturer data)<br>100 ° ... 46 ° (our tests result) |
| Optical zoom:                    | x 3   |
| Digital zoom:                    | —   |
| Range of IR illumination:        | 15 m  |
| S/N ratio:                       | > 50 dB (AGC off)   |
| Video output:                    | —   |
| Rotation speed (manual control): | 0.1 °/s ... 70 °/s (horizontal)<br>0.1 °/s ... 30 °/s (vertical)        |
| Preset rotation speed:           | max. 80 °/s (horizontal)<br>max. 40 °/s (vertical)                      |
| Horizontal rotation range:       | 0 ° ... 355 ° - Rotation of the head is limited by stops                |
| Vertical rotation range:         | 5 ° ... 90 °  |
| RS-485 interface:                | —   |
| Number of presets:               | 300   |

DELTA-OPTI Monika Matysiak; <https://www.delta.poznan.pl>  
POL; 60-713 Poznań; Graniczna 10  
e-mail: [delta-opti@delta.poznan.pl](mailto:delta-opti@delta.poznan.pl); tel: +(48) 61 864 69 60

|                                |   |
|--------------------------------|---|
| Horizontal scan:               | ✓   |
| Route settings:                | 8   |
| Image compression method:      | H.265 / H.265+ / H.264 / H.264+ / MJPEG   |
| Bitrate:                       | 448 ... 8192 kbps   |
| Alarm inputs / outputs:        | —   |
| Main stream frame rate:        | 25 fps - 1080p  |
| Memory card slot:              | Micro SD memory cards up to 256GB support (possible local recording)  |
| Network interface:             | 10/100 Base-T (RJ-45)   |
| Network protocols:             | HTTP, HTTPS, TCP/IP, IPv4/IPv6, UDP, UPnP, ICMP, IGMP, RTP, SNMP, NTP, DHCP, DNS, PPPoE, DDNS, FTP, IP Filter, QoS, Bonjour, IEEE 802.1x  |
| WEB Server:                    | Built-in, NVR compliance  |
| Max. number of on-line users:  | 20  |
| ONVIF:                         | 16.12   |
| Audio:                         | <ul style="list-style-type: none"> <li>• Microphone built-in,</li> <li>• External microphone input,</li> <li>• Audio output</li> </ul>  |
| Mobile phones support:         | Port no.: 37777 or access by a cloud (P2P)<br><ul style="list-style-type: none"> <li>• Android: Free application <a href="#">DMSS</a>, Android: Free application <a href="#">IMOU</a></li> <li>• iOS (iPhone): Free application <a href="#">DMSS</a>, iOS (iPhone): Free application <a href="#">IMOU</a></li> </ul>  |
| Default admin user / password: | admin / -<br>The administrator password should be set at the first start  |
| Default IP address:            | 192.168.1.108   |
| Web browser access ports:      | 80, 37777   |
| PC client access ports:        | 37777   |
| Mobile client access ports:    | 37777   |
| Port ONVIF:                    | 80  |
| RTSP URL:                      | rtsp://admin:hasło@192.168.1.108:554/cam/realmonitor?channel=1&subtype=0 - Main stream<br>rtsp://admin:hasło@192.168.1.108:554/cam/realmonitor?channel=1&subtype=1 - Sub stream   |
| Main features:                 | <ul style="list-style-type: none"> <li>• WDR - 120 dB - Wide Dynamic Range</li> <li>• 2D-DNR, 3D-DNR - Digital Noise Reduction</li> <li>• ROI - improve the quality of selected parts of image</li> <li>• F-DNR (Defog) - Reduction of image noise caused by precipitation</li> <li>• ICR - Movable InfraRed filter</li> <li>• BLC/HLC - Back Light / High Light Compensation</li> <li>• IVS analysis : face detection, crossing the line (tripwire), intrusion, abandoned/missing object</li> <li>• Day/night mode</li> <li>• Configurable Privacy Zones</li> <li>• Intelligent 3D Positioning System</li> </ul> |
| Power supply:                  | <ul style="list-style-type: none"> <li>• PoE (802.3af),</li> <li>• 12 V DC / 875 mA</li> </ul>  |
| Power consumption:             | ≤ 10.5 W  |
| Housing:                       | Speed Dome<br>Metal, Plastic  |
| Color:                         | Black / White   |
| "Index of Protection":         | IP66  |
| Operation temp:                | -30 °C ... 60 °C  |
| Weight:                        | 0.51 kg   |

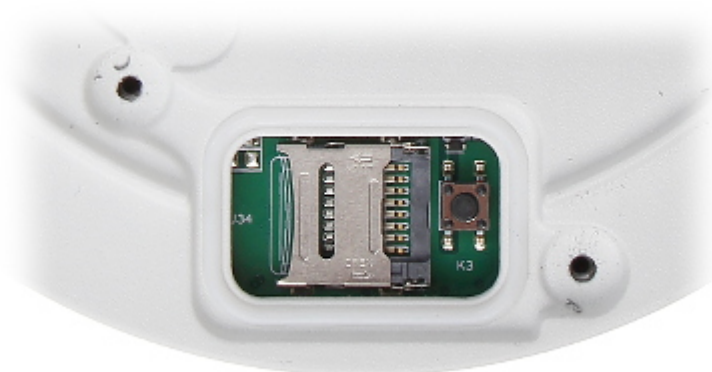
|                       |                 |
|-----------------------|-----------------|
| Dimensions:           | Ø 128 x 63 mm   |
| Supported languages:  | English, Polish |
| Manufacturer / Brand: | DAHUA           |
| Guarantee:            | <b>3 years</b>  |

## PRESENTATION

Mounting side view:



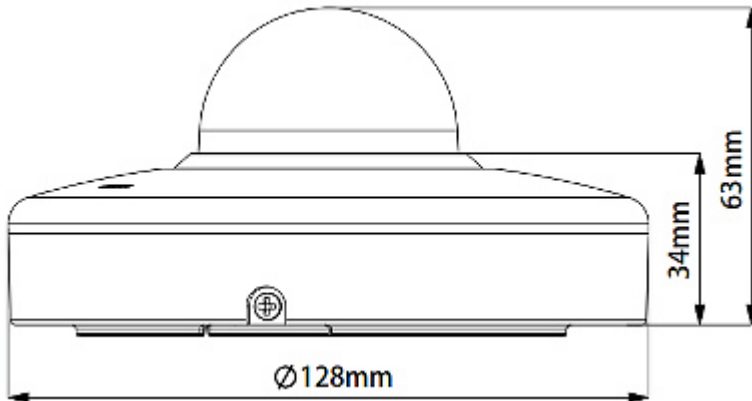
Memory card slot:



Connectors description:



Dimensions:



In the kit:



Assembly instruction:

:

## OUR TESTS

Camera image at artificial illumination (about 30Lux):



Camera image at night conditions with internal built-in IR illuminator on:



DELTA-OPTI Monika Matysiak; <https://www.delta.poznan.pl>  
POL; 60-713 Poznań; Graniczna 10  
e-mail: delta-opti@delta.poznan.pl; tel: +(48) 61 864 69 60



Camera image at direct strong light opposite to camera:



## OUR OPINIONS



- Thanks to the "Starlight" technology used, the camera only needs very low lighting to obtain a clear color image.

## PACKAGE

|                                  |                    |
|----------------------------------|--------------------|
| Dimensions (L x W x H): 0x0x0 mm | Gross Weight: 0 kg |
|----------------------------------|--------------------|

