

Code: SDT4E425-4F-GB-A-PV1-0400

IP SPEED DOME CAMERA OUTDOOR **SDT4E425-4F-GB-A-PV1-0400** TiOC WizSense Smart Dual Light - 3.7 Mpx 5 ... 125 mm DAHUA Net: **4 574.00 PLN** Gross: **4 574.00 PLN**

The Speed Dome IP camera, in addition to the traditional PTZ camera module, also has a panoramic camera module mounted in the same housing. The series of these cameras can be used to monitor large spaces in high definition, such as rivers, roads, railways, airports, squares, parks, meeting places, etc. The device is equipped with Smart Dual Light technology, thanks to which the user has a choice of white light mode and IR (infrared) mode.

The panoramic camera connects to the PTZ camera to track targets. Once a target enters the panoramic area, the PTZ camera begins monitoring the target and tracks its movement by panning, zooming and focusing the lens, allowing the camera to generate highly detailed images of the targets' movements for security personnel. The range of IR illumination according to the manufacturer data, depends on outer conditions (visibility - air transparency, environment, wall colors ie. scene reflectance).

PoE powering possibility, compatible with the 802.3at standard makes the device more universal and easier to install.

In addition, the camera has the function of active deterrence of intruders using flashing red and blue light and siren sound.



SPECIFICATION

| | |
|------------------------------------|--|
| Standard: | IP |
| Sensor: | <ul style="list-style-type: none">• Camera PTZ : 1/2.8 " STARVIS™ CMOS• Camera 2 : 1/2.8 Progressive Scan CMOS |
| Matrix size: | <ul style="list-style-type: none">• Camera PTZ : 4 Mpx• Camera 2 : 4 Mpx |
| Resolution: | Camera PTZ, Camera 2 : <ul style="list-style-type: none">• 2560 x 1440 - 3.7 Mpx,• 2048 x 1536 - 3 Mpx,• 2304 x 1296 - 3 Mpx,• 1920 x 1080 - 1080p,• 1280 x 960 - 1.3 Mpx,• 1280 x 720 - 720p |
| Lens: | <ul style="list-style-type: none">• Camera PTZ : 5 ... 125 mm• Camera 2 : 2.8 mm |
| View angle: | <ul style="list-style-type: none">• Camera PTZ : 52 ° ... 3 °• Camera 2 : 101 ° |
| Optical zoom: | x 25 |
| Digital zoom: | x 16 |
| Range of IR illumination: | <ul style="list-style-type: none">• 100 m @ Camera PTZ• 30 m @ Camera 2 |
| White light LED illuminator range: | <ul style="list-style-type: none">• 50 @ Camera PTZ• 30 @ Camera 2 |

DELTA-OPTI Monika Matysiak; <https://www.delta.poznan.pl>
POL; 60-713 Poznań; Graniczna 10
e-mail: delta-opti@delta.poznan.pl; tel: +(48) 61 864 69 60

| | |
|----------------------------------|---|
| Preset rotation speed: | <ul style="list-style-type: none"> • 240 °/s (horizontal) • 200 °/s (vertical) |
| Rotation speed (manual control): | <ul style="list-style-type: none"> • 0.1 °/s ... 200 °/s (horizontal) • 0.1 °/s ... 120 °/s (vertical) |
| Horizontal rotation range: | 360 ° - continuous |
| Vertical rotation range: | -15 ° ... 90 ° |
| RS-485 interface: | — |
| Number of presets: | 300 |
| Horizontal scan: | ✓ |
| Route settings: | 8 |
| Image compression method: | H.265+ / H.265 / H.264+ / H.264 / MJPEG |
| Alarm inputs / outputs: | 2 / 1 |
| Audio: | <ul style="list-style-type: none"> • External microphone input • Audio output • Audio detection • Speaker built-in - Alarm siren • Bi-directional audio streaming support • Digital Noise Reduction |
| Main stream frame rate: | <ul style="list-style-type: none"> • Camera PTZ : 25 fps @ 4 Mpx • Camera 2 : 25 fps @ 4 Mpx |
| Network interface: | 10/100 Base-T (RJ-45) |
| Memory card slot: | Micro SD card support up to 512GB |
| WEB Server: | Built-in |
| Max. number of on-line users: | 20 |
| ONVIF: | ✓ |
| Default IP address: | 192.168.1.108 |
| Default admin user / password: | admin / - The administrator password should be set at the first start |
| Web browser access ports: | 80, 37777 |
| PC client access ports: | 37777 |
| Mobile client access ports: | 37777 |
| Port ONVIF: | 80 |
| RTSP URL: | rtsp://admin:hasło@192.168.1.108:554/cam/realmonitor?channel=1&subtype=0 - Main stream rtsp://admin:hasło@192.168.1.108:554/cam/realmonitor?channel=1&subtype=1 - Sub stream |
| Intelligent image analysis: | <ul style="list-style-type: none"> • Intelligent Object Tracking • crossing the line (tripwire) • detection of entry into the area / exit from the area • intrusion • fast moving • classification of people and vehicles • crowd gathering estimation |



| | |
|------------------------|---|
| Main features: | <ul style="list-style-type: none"> • Smart Dual Illumination technology - IR or LED illuminator works in night mode. White light will turn on automatically only when an object is detected in the monitored area, which effectively improves image quality • Active deterrence function - Light and sound alarm - Active intrusion deterrence works by blinking blue and red light and siren sound or voice prompts • WDR - 120 dB - Wide Dynamic Range • 2D-DNR, 3D-DNR - Digital Noise Reduction • F-DNR (Defog) - Reduction of image noise caused by precipitation • EIS - Electronic Image Stabilization • ROI - improve the quality of selected parts of image • Quick Pick - AI technology enabling, together with the recorder, quick identification of interesting objects (people/vehicles) based on an artificial intelligence algorithm. It allows to extract and compare the colors of clothes and vehicles • SMD 4.0 - searching for an object classified as: human, motor vehicle - increased detection distance and resistance to false alarms • Image rotation and mirror • BLC/HLC - Back Light / High Light Compensation • ICR - Movable InfraRed filter • Day/night mode • Auto White Balance • Sharpness - sharper image outlines • Configurable: brightness, contrast, saturation • NAS - Network Attached Storage support • Configurable Privacy Zones • Motion Detection • Filtering of false alarms based on the recognition of persons and vehicles |
| Power supply: | <ul style="list-style-type: none"> • PoE (802.3at), • 12 V DC / 3 A (power adapter included) |
| Power consumption: | <ul style="list-style-type: none"> • ≤ 12 W (typical), • 25 W (max) |
| Housing: | Speed Dome, Plastic |
| Color: | White |
| Operation temp: | -40 °C ... 65 °C |
| "Index of Protection": | IP66 |
| Weight: | 3,4 kg |
| Dimensions: | 152 x 185 x 305 mm (without bracket) |
| Supported languages: | Polish, English |
| Manufacturer / Brand: | DAHUA |
| Guarantee: | 3 years |

PRESENTATION

Front view:



DELTA-OPTI Monika Matysiak; <https://www.delta.poznan.pl>
 POL; 60-713 Poznań; Graniczna 10
 e-mail: delta-opti@delta.poznan.pl; tel: +(48) 61 864 69 60



Bottom view:





Rear view:



Memory card slot and "Reset" button:



Internal view of the housing:



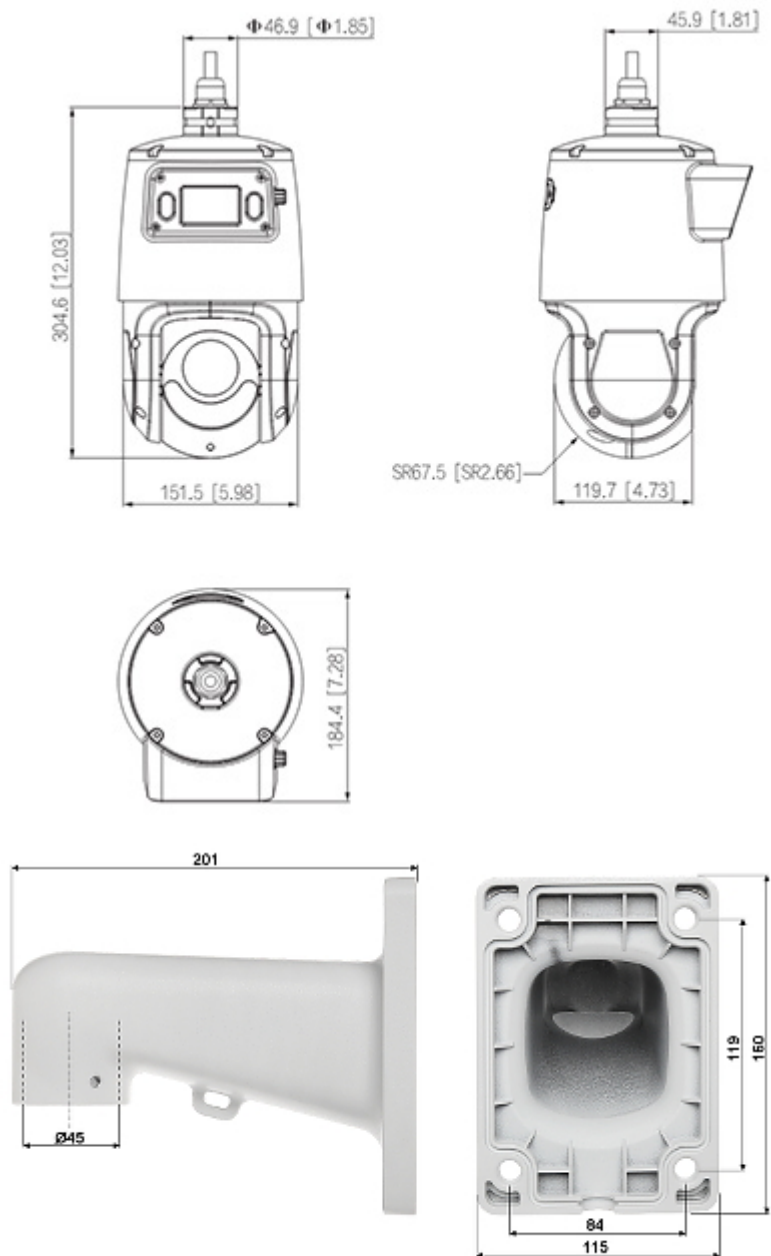
Camera connectors:



Connectors description:



Camera and bracket dimensions:



In the kit:



PACKAGE

| | |
|----------------------------------|--------------------|
| Dimensions (L x W x H): 0x0x0 mm | Gross Weight: 0 kg |
|----------------------------------|--------------------|

