

Code: PTZ12240-IRB-N

IP SPEED DOME CAMERA OUTDOOR **PTZ12240-IRB-N** - 1080p 7.9 ... 316 mm DAHUA

Net: **4 566.72 USD** Gross: **4 566.72 USD**



Intelligent 3D Positioning System.

The biggest advantage of the camera is the lens with x40 optical zoom, which together with long range IR illuminator allow to 24 hours surveillance without any additional lighting even at area of several hundred meters. Due to above it is perfect solution for surveillance systems requiring persons or vehicles recognition. The range of IR illumination according to the manufacturer data, depends on outer conditions (visibility - air transparency, environment, wall colors ie. scene reflectance).

For a few models of IP cameras working at $\geq 1920 \times 1080$ resolution we recommend to use of network with 1Gb/s bandwidth.

SPECIFICATION

Standard:	TCP/IP
Sensor:	1/2.8 " Progressive Scan CMOS
Resolution:	1920 x 1080
Matrix size:	2.0 Mpx
Resolution:	1920 x 1080 - 1080p 1280 x 720 - 720p
Scanning system:	Progressive
Lens:	7.9 ... 316 mm
View angle:	• 41 ° ... 1.1 ° (manufacturer data) • 36 ° ... 1.6 ° (our tests result)
Optical zoom:	x 40
Digital zoom:	x 16
Range of IR illumination:	300 m
S/N ratio:	> 55 dB (AGC off)
Video output:	1 Vpp / 75 Ω
Preset rotation speed:	max. 160 °/s (horizontal) max. 60 °/s (vertical)

DELTA-OPTI Monika Matysiak; <https://www.delta.poznan.pl>
POL; 60-713 Poznań; Graniczna 10
e-mail: delta-opti@delta.poznan.pl; tel: +(48) 61 864 69 60

Rotation speed (manual control):	0.1 °/s ... 160 °/s (horizontal) 0.1 °/s ... 60 °/s (vertical)
Horizontal rotation range:	360 ° continuous
Vertical rotation range:	-90 ° ... 45 °
RS-485 interface:	✓
Protocols:	Pelco-D, Pelco-P, DH-SD Auto detection
Number of presets:	300
Horizontal scan:	✓
Route settings:	8
Image compression method:	H.264 / MPEG-4 / MJPEG
Bitrate:	448 ... 8192 kbps - H.264 4096 ... 20480 kbps - MJPEG
Alarm inputs / outputs:	7 / 2
Audio:	<ul style="list-style-type: none"> • 1 Audio input • 1 Audio output • Audio detection
Main stream frame rate:	1 ... 25 fps - 1080p 1 ... 50 fps - 720p
Network interface:	10/100 Base-T (RJ-45)
Network protocols:	IPv4/IPv6, HTTP, HTTPS, SSL, TCP/IP, UDP, UPnP, ICMP, IGMP, SNMP, RTSP, RTP, SMTP, NTP, DHCP, DNS, PPPoE, DDNS, FTP, IP Filter, QoS, Bonjour, IEEE 802.1x, Multicast
WEB Server:	Built-in, NVR compliance
Max. number of on-line users:	20
ONVIF:	2.42 - Profile S, G, ONVIF CGI
Mobile phones support:	Port no.: 37777 or access by a cloud (P2P) <ul style="list-style-type: none"> • Android: Free application DMSS • iOS (iPhone): Free application DMSS
Memory card slot:	Micro SD memory cards up to 128GB support (possible local recording)
Main features:	<ul style="list-style-type: none"> • Intelligent 3D Positioning System • ICR - Movable InfraRed filter • Day/Night mode (color/b&w/auto) • WB - White Balance (ATW/AWB/manual/indoor/outdoor) • WDR - 120 dB - Wide Dynamic Range • F-DNR (Defog) - Reduction of image noise caused by precipitation • 3D-DNR - Digital Noise Reduction • Configurable Privacy Zones - 24 • BLC/HLC - Back Light / High Light Compensation • Audio detection • Sharpness - sharper image outlines • Mirror - Mirror image • IVS analysis : crossing the line (tripwire), intrusion, abandoned/missing object, heat map, face detection, scene changing • Multicast - Unlimited number of clients • Wiper - Control the wiper via TCP/IP
Power supply:	• 24 V AC / 5 A (power adapter included)
Housing:	Metal
Color:	White
Operation temp:	-40 °C ... 70 °C
"Index of Protection":	IP66
Weight:	11.16 kg (with bracket)
Dimensions:	203 x 391 mm x 472 mm (with bracket)



DELTA-OPTI Monika Matysiak; <https://www.delta.poznan.pl>
POL; 60-713 Poznań; Graniczna 10
e-mail: delta-opti@delta.poznan.pl; tel: +(48) 61 864 69 60

Supported languages:	English, Polish
Manufacturer / Brand:	DAHUA
Guarantee:	3 years

PRESENTATION

Front view:



Side view:



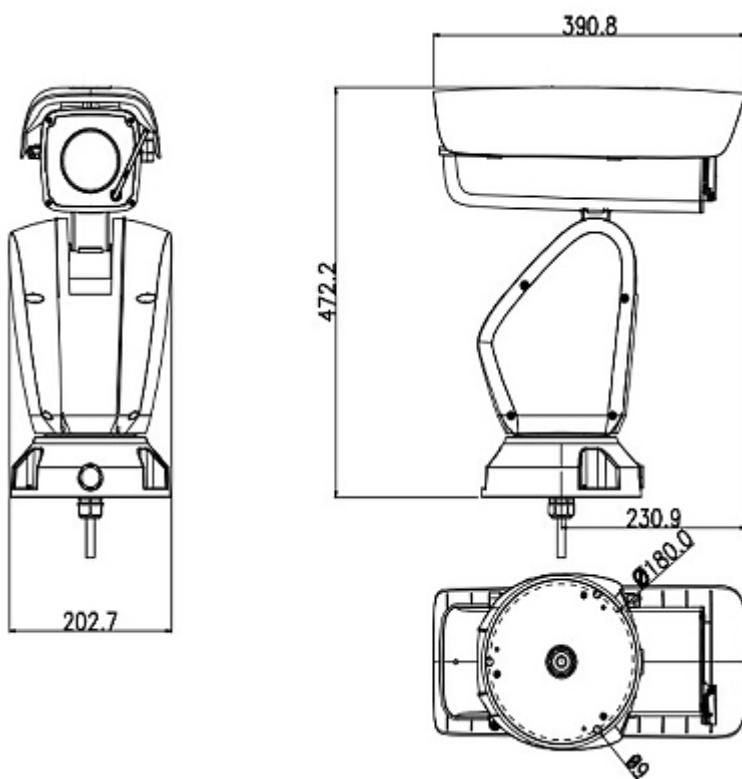
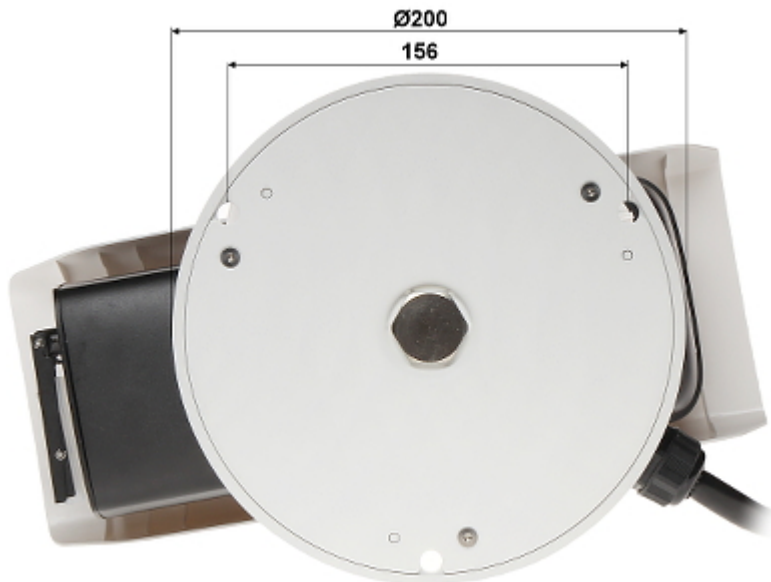
Internal view:



Memory card slot:



Camera and bracket dimensions:



Camera connectors:



Connectors description:



See how to initialize DAHUA cameras:

:
In the kit:



OUR TESTS

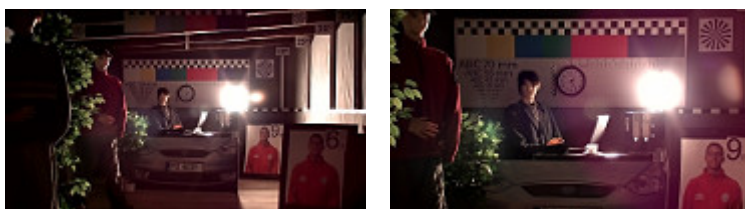
Camera image at artificial illumination (about 30Lux):



Camera image at night conditions with internal built-in IR illuminator on:



Camera image at direct strong light opposite to camera:



PACKAGE

Dimensions (L x W x H): 0x0x0 mm	Gross Weight: 0 kg
----------------------------------	--------------------