

Code: SD5A425GA-HNR

IP SPEED DOME CAMERA OUTDOOR **SD5A425GA-HNR** - 3.7 Mpx 5.4 ... 135 mm DAHUA

Net: **2 182.04 EUR** Gross: **2 182.04 EUR**

IP camera equipped with very good high resolution sensor. Due to above it is perfect solution for surveillance systems requiring persons or vehicles recognition.

Built-in IR illuminator allows to operate at night conditions, and vari-focal lens with wide range of view angle adjustment enables optimal set the view field of camera to all conditions. The range of IR illumination according to the manufacturer data, depends on outer conditions (visibility - air transparency, environment, wall colors ie. scene reflectance).

Thanks to the "Starlight" technology used, the camera only needs very low lighting to obtain a clear color image. PoE powering possibility, compatible with the 802.3at standard makes the device more universal and easier to install.

For a few models of IP cameras working at $\geq 1920 \times 1080$ resolution we recommend to use of network with 1Gb/s bandwidth.



SPECIFICATION

Standard:	TCP/IP
Sensor:	1/1.8 " STARVIS™ CMOS
Matrix size:	4 Mpx
Resolution:	2560 x 1440 - 3.7 Mpx , 2048 x 1536 - 3 Mpx , 2304 x 1296 - 3 Mpx , 1920 x 1080 - 1080p , 1280 x 960 1.3 Mpx , 1280 x 720 720p
Lens:	5.4 ... 135 mm
View angle:	• 62 ° ... 3.6 ° (manufacturer data) • 52 ° ... 3.4 ° (our tests result)
Optical zoom:	x 25
Digital zoom:	x 16
Range of IR illumination:	150 m
Video output:	—
Preset rotation speed:	• 400 °/s (horizontal) • 300 °/s (vertical)
Rotation speed (manual control):	• 0.1 °/s ... 300 °/s (horizontal) • 0.1 °/s ... 140 °/s (vertical)

DELTA-OPTI Monika Matysiak; <https://www.delta.poznan.pl>
POL; 60-713 Poznań; Graniczna 10
e-mail: delta-opti@delta.poznan.pl; tel: +(48) 61 864 69 60

Horizontal rotation range:	360 ° - continuous
Vertical rotation range:	-15 ° ... 90 °
RS-485 interface:	—
Number of presets:	300
Horizontal scan:	✓
Route settings:	8
Image compression method:	H.265+ / H.265 / H.264+ / H.264 / MJPEG
Alarm inputs / outputs:	2 / 1
Audio:	<ul style="list-style-type: none"> • External microphone input • Audio output • Bi-directional audio streaming support • Audio detection
Main stream frame rate:	25 fps @ 4 Mpx
Network interface:	10/100 Base-T (RJ-45)
Network protocols:	FTP, RTMP, IPv4/IPv6, Bonjour, DNS, RTCP, PPPoE, NTP, RTP, IEEE 802.1x, HTTPS, SNMP, TCP/IP, DDNS, UPnP, NFS, ICMP, UDP, IGMP, HTTP, SSL, DHCP, SMTP, QoS, RTSP, ARP, P2P, Multicast
WEB Server:	Built-in
Max. number of on-line users:	20
ONVIF:	21.12
Memory card slot:	Micro SD memory cards up to 512GB support (possible local recording)
Mobile phones support:	Port no.: 37777 or access by a cloud (P2P) <ul style="list-style-type: none"> • Android: Free application DMSS • iOS (iPhone): Free application DMSS
Default IP address:	192.168.1.108
Default admin user / password:	admin / - The administrator password should be set at the first start
Web browser access ports:	80, 37777
PC client access ports:	37777
Mobile client access ports:	37777
Port ONVIF:	80
RTSP URL:	rtsp://admin:hasło@192.168.1.108:554/cam/realmonitor?channel=1&subtype=0 - Main stream rtsp://admin:hasło@192.168.1.108:554/cam/realmonitor?channel=1&subtype=1 - Sub stream



Main features:	<ul style="list-style-type: none"> • Intelligent Object Tracking • WDR - 120 dB - Wide Dynamic Range • 2D-DNR, 3D-DNR - Digital Noise Reduction • EIS - Electronic Image Stabilization • ROI - improve the quality of selected parts of image • F-DNR (Defog) - Reduction of image noise caused by precipitation • SMD 4.0 - searching for an object classified as: human, motor vehicle - increased detection distance and resistance to false alarms • Quick Pick - AI technology enabling, together with the recorder, quick identification of interesting objects (people/vehicles) based on an artificial intelligence algorithm. It allows to extract and compare the colors of clothes and vehicles • BLC/HLC - Back Light / High Light Compensation • Motion Detection • Privacy zones - max. 24 • Day/night mode • ICR - Movable InfraRed filter • AGC - Automatic Gain Control • Auto White Balance • Sharpness - sharper image outlines • IVS analysis : crossing the line (tripwire), intrusion, abandoned/missing object, fast moving, parking detection, detection of people gathering, loitering detection, face detection - advanced face capture features, supports 6 types of facial attributes extraction • Filtering of false alarms based on the recognition of persons and vehicles (tripwire, intrusion)
Power supply:	<ul style="list-style-type: none"> • PoE (802.3at), • 24 V DC / 2.5 A (power adapter included)
Power consumption:	max. 21 W
Housing:	Speed Dome, Metal + Plastic
Color:	White + Black
Operation temp:	-40 °C ... 70 °C
"Index of Protection":	IP67
Vandal-proof:	IK10
Weight:	5.34 kg (with bracket)
Dimensions:	190 x 415 x 268 mm (with bracket)
Supported languages:	Polish, English, Czech, Spanish, French, Dutch, German, Portuguese, Russian, Romanian, Turkish, Ukrainian, Hungarian, Italian
Manufacturer / Brand:	DAHUA
Guarantee:	5 years

PRESENTATION

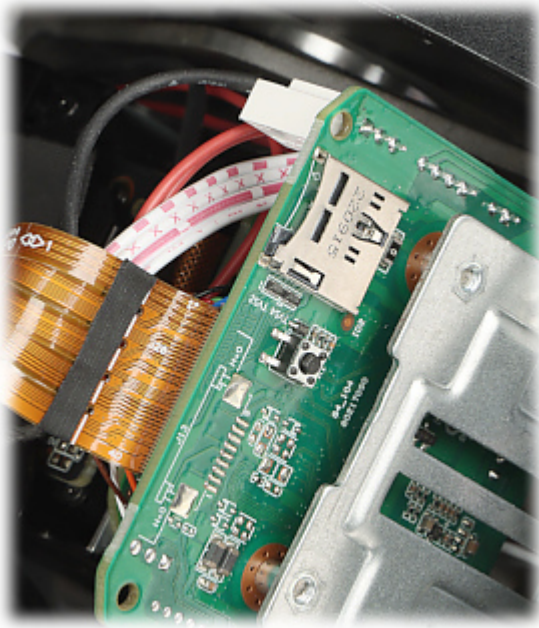
Bottom view:



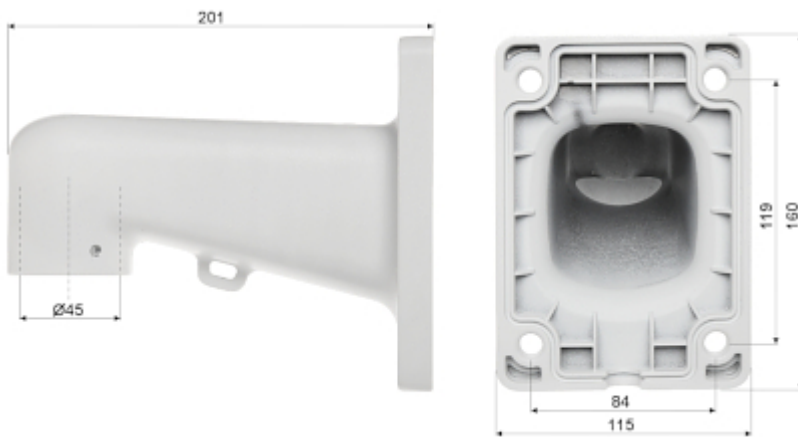


Micro SD card slot is located inside the camera:





Bracket dimensions:



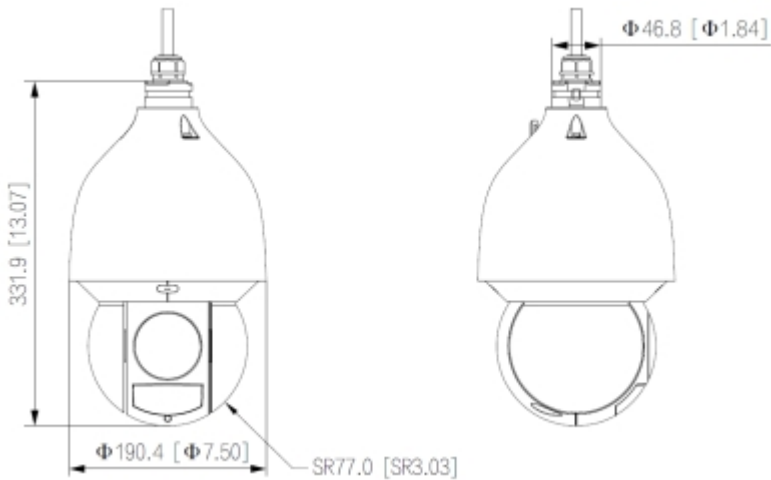
Connectors:



Connectors description:

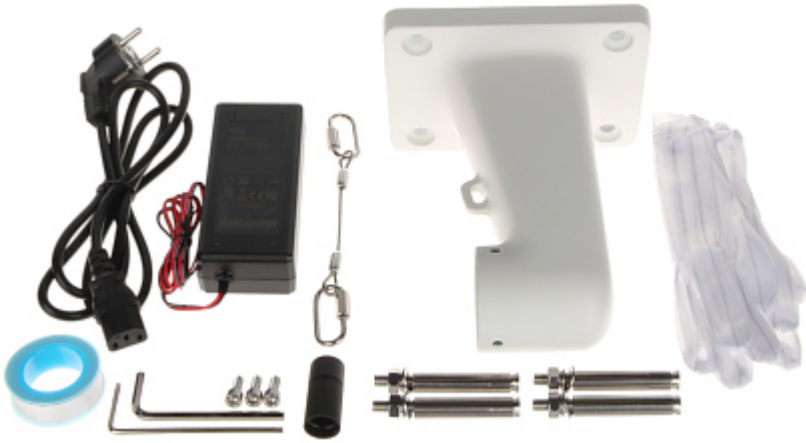


Camera dimensions:



See how to initialize DAHUA cameras:

:
 In the kit:



OUR TESTS

Camera image at artificial illumination (about 30Lux):



Camera image at night conditions with internal built-in IR illuminator on:



Camera image at direct strong light opposite to camera:



OUR OPINIONS



- Thanks to the "Starlight" technology used, the camera only needs very low lighting to obtain a clear color image.

PACKAGE

Dimensions (L x W x H): 0x0x0 mm	Gross Weight: 0 kg
----------------------------------	--------------------

DELTA-OPTI Monika Matysiak; <https://www.delta.poznan.pl>
 POL; 60-713 Poznań; Graniczna 10
 e-mail: delta-opti@delta.poznan.pl; tel: +(48) 61 864 69 60