

Code: TC-H366V SPEC:4MP/25X/IW/E/A/2.8MM

IP SPEED DOME CAMERA OUTDOOR TC-H366V

SPEC:4MP/25X/IW/E/A/2.8MM PANORAMIC - 3.7 Mpx 4.8 ... 120 mm

TIANDY

Net: 1 307.62 EUR Gross: 1 307.62 EUR



The Speed Dome IP camera, in addition to the traditional PTZ camera module, also has a panoramic camera module mounted in the same housing. Due to above it is perfect solution for surveillance systems requiring persons or vehicles recognition.

Built-in IR illuminator allows to operate at night conditions, and vari-focal lens with wide range of view angle adjustment enables optimal set the view field of camera to all conditions. The range of IR illumination according to the manufacturer data, depends on outer conditions (visibility - air transparency, environment, wall colors ie. scene reflectance).

For a few models of IP cameras working at $\geq 1920 \times 1080$ resolution we recommend to use of network with 1Gb/s bandwidth.

SPECIFICATION

Standard:	IP
Resolution:	<ul style="list-style-type: none">• Camera PTZ : 2560 x 1440 - 3.7 Mpx , 2304 x 1296 - 3 Mpx , 1920 x 1080 - 1080p 1280 x 720 - 720p ,• Panoramic camera : 3840 x 1568 - 6 Mpx 3632 x 1480 - 5.3 Mpx
Sensor:	<ul style="list-style-type: none">• Camera PTZ : 1/2.7 " Progressive Scan CMOS,• Panoramic camera : 2 x 1/1.8 " Progressive Scan CMOS
Matrix size:	<ul style="list-style-type: none">• Camera PTZ : 3.7 Mpx• Panoramic camera : 13 Mpx
Lens:	<ul style="list-style-type: none">• Camera PTZ : 4.8 ... 120 mm• Panoramic camera : 2 x 3.3 mm
View angle:	<ul style="list-style-type: none">• Camera PTZ : 58 ° ... 2.8 ° ,• Panoramic camera : 190 ° - A panoramic image
Optical zoom:	x 25
Digital zoom:	x 16
Range of IR illumination:	150 m

DELTA-OPTI Monika Matysiak; <https://www.delta.poznan.pl>
POL; 60-713 Poznań; Graniczna 10
e-mail: delta-opti@delta.poznan.pl; tel: +(48) 61 864 69 60

White light LED illuminator range:	30 m
Preset rotation speed:	<ul style="list-style-type: none"> • 180 °/s (horizontal) • 180 °/s (vertical)
Rotation speed (manual control):	<ul style="list-style-type: none"> • 0.1 °/s ... 120 °/s (horizontal) • 0.1 °/s ... 120 °/s (vertical)
Horizontal rotation range:	360 ° - continuous
Vertical rotation range:	-16 ° ... 90 °
RS-485 interface:	—
Number of presets:	500
Horizontal scan:	✓
Route settings:	8
Image compression method:	S+265 / H.265 / H.264 / MJPEG
Alarm inputs / outputs:	2 / 1
Audio:	<ul style="list-style-type: none"> • Audio input, • Audio output, • Speaker built-in, • Bi-directional audio streaming support • Compliance with the AAC standard
Main stream frame rate:	<ul style="list-style-type: none"> • Camera PTZ : 25 fps @ 3.7 Mpx • Panoramic camera : 25 fps @ 6 Mpx
Interface:	100/1000 Base-T (RJ-45)
WEB Server:	Built-in
Max. number of on-line users:	32
ONVIF:	✓
Memory card slot:	Micro SD card support up to 512GB
Mobile phones support:	Port no.: 3000 or access by a cloud (P2P) <ul style="list-style-type: none"> • Android: Free application EasyLive Plus • iOS (iPhone): Free application EasyLive Plus
Access from PC:	Port no.: 3000 or access by a cloud (P2P) - PC: Free application Easy7 Smart Client Express
Default IP address:	DHCP or 192.168.1.2
Default admin user / password:	admin / - The administrator password should be set at the first start
Web browser access ports:	80, 443, 3000, 3001, 3002, 23002
Mobile client access ports:	3000, 3001
PC client access ports:	3000, 3001
Port ONVIF:	80



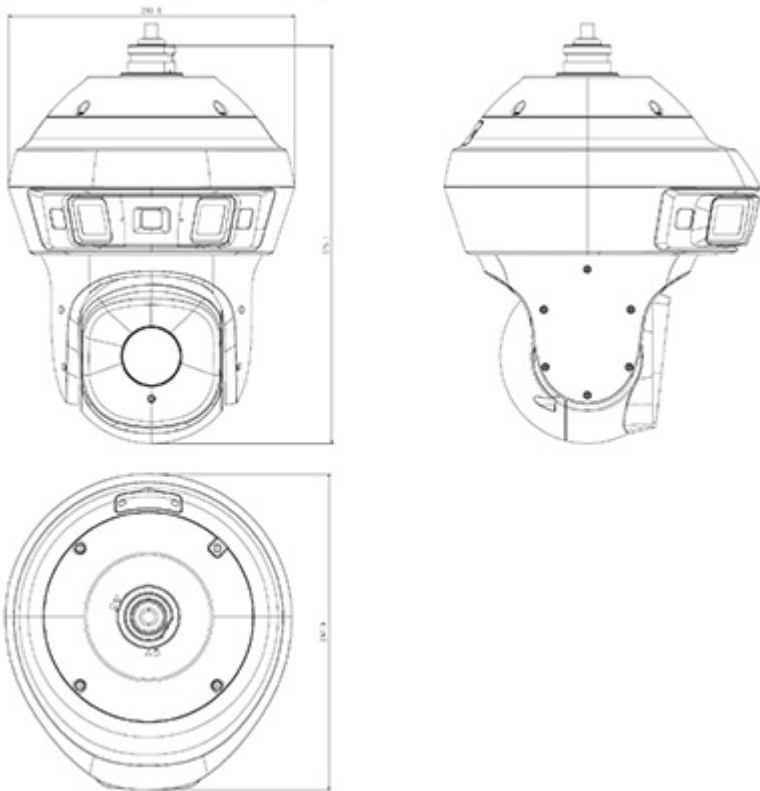
Main features:	<ul style="list-style-type: none"> • Automatic tracking of moving objects • Early Warning (EW) - combination of white light warning with audio signals • D-WDR - Wide Dynamic Range - Panoramic camera • WDR - 120 dB - Wide Dynamic Range - Camera PTZ • 3D-DNR - Digital Noise Reduction • F-DNR (Defog) - Reduction of image noise caused by precipitation • ROI - improve the quality of selected parts of image • ANR - Automatic Network Replenishment allows to save image to the card when the network connection with DVR is break (network failure) and next synchronize its • NAS - Network Attached Storage support - allows to connect memory resources directly to the computer network • BLC/HLC - Back Light / High Light Compensation • ICR - Movable InfraRed filter • Day/night mode • Auto White Balance • Sharpness - sharper image outlines • Configurable: brightness, contrast, saturation • Privacy zones • Intelligent 3D Positioning System • Filtering of false alarms based on the recognition of persons and vehicles • The camera is equipped with a built-in heater with a thermostat
Intelligent image analysis:	<p>Panoramic camera :</p> <ul style="list-style-type: none"> • crossing the line (tripwire) • double crossing the line • heat map <p>Camera PTZ :</p> <ul style="list-style-type: none"> • crossing the line (tripwire) • abandoned/missing object • intrusion • detection of loitering in a given area • parking detection • heat map • detection of people gathering • people counting • detection of persons on duty • running • video tampering • Audio detection • double crossing the line • face detection • Intelligent Object Tracking
Power supply:	<ul style="list-style-type: none"> • PoE (802.3bt), • 24 V AC
Power consumption:	≤ 76 W
Housing:	Speed Dome, Metal
Color:	White + Black
Operation temp:	-40 °C ... 70 °C
"Index of Protection":	IP66
Weight:	5.33 kg
Dimensions:	298 x 270 x 375 mm (without bracket)
Manufacturer / Brand:	TIANDY
Guarantee:	3 years

PRESENTATION

Camera dimensions:



DELTA-OPTI Monika Matysiak; <https://www.delta.poznan.pl>
 POL; 60-713 Poznań; Graniczna 10
 e-mail: delta-opti@delta.poznan.pl; tel: +(48) 61 864 69 60



PACKAGE

Dimensions (L x W x H): 0x0x0 mm	Gross Weight: 0 kg
----------------------------------	--------------------

