

Code: DH-SD6AL230F-HNI

IP SPEED DOME CAMERA OUTDOOR **DH-SD6AL230F-HNI** - 1080p 6 ... 180 mm DAHUA

Net: 2 486.71 EUR Gross: 2 486.71 EUR

IP camera equipped with very good high resolution sensor. Due to above it is perfect solution for surveillance systems requiring persons or vehicles recognition. The IR illuminator consisting of a laser with adjustable beam angle allows for precise lighting of the objects even at very large distances. The range of IR illumination according to the manufacturer data, depends on outer conditions (visibility - air transparency, environment, wall colors ie. scene reflectance). For a few models of IP cameras working at $\geq 1920 \times 1080$ resolution we recommend to use of network with 1Gb/s bandwidth.



SPECIFICATION

Standard:	TCP/IP
Sensor:	1/1.9 " Progressive Scan Exmor CMOS
Matrix size:	2.0 Mpx
Resolution:	1920 x 1080 - 1080p 1280 x 720 - 720p
Scanning system:	Progressive
Lens:	6 ... 180 mm
View angle:	61.2 ° ... 2.1 ° (manufacturer data) 59 ° ... 3 ° (our tests result)
Optical zoom:	x 30
Digital zoom:	x 16
Range of IR illumination:	500 m - Laser IR
Illumination angle:	60 ° ... 2 °
S/N ratio:	> 56 dB (AGC off)
Video output:	1 Vpp / 75 Ω
Preset rotation speed:	max. 240 °/s
Rotation speed (manual control):	0.1 °/s ... 240 °/s (horizontal) 0.1 °/s ... 120 °/s (vertical)

DELTA-OPTI Monika Matysiak; <https://www.delta.poznan.pl>
POL; 60-713 Poznań; Graniczna 10
e-mail: delta-opti@delta.poznan.pl; tel: +(48) 61 864 69 60

Horizontal rotation range:	360 ° continuous
Vertical rotation range:	-20 ° ... 90 °
RS-485 interface:	✓
Protocols:	Pelco-D, Pelco-P, DH-SD Auto detection
Number of presets:	300
Horizontal scan:	✓
Route settings:	8
Image compression method:	H.264H / H.264B / H.264 / MJPEG / MPEG-4
Bitrate:	56 ... 8192 kbps - H.264 56 ... 20480 kbps - MJPEG
Alarm inputs / outputs:	7 / 2
Audio:	<ul style="list-style-type: none"> • 1 Audio input • 1 Audio output • Audio detection
Main stream frame rate:	1 ... 25 fps - 1080p 1 ... 50 fps - 720p
Network interface:	10/100 Base-T (RJ-45)
Network protocols:	IPv4/ IPv6, HTTP, HTTPS, SSL, TCP/IP, UDP, UPnP, ICMP, IGMP, SNMP, RTSP, RTP, SMTP, NTP, DHCP, DNS, PPPOE, DDNS, FTP, IP Filter, QoS, Bonjour, 802.1x
WEB Server:	Built-in, NVR compliance
Max. number of on-line users:	20
ONVIF:	2.41
Mobile phones support:	Port 37777 <ul style="list-style-type: none"> • Android: Free application DMSS • iOS (iPhone): Free application DMSS
Memory card slot:	Micro SD memory cards up to 128GB support (possible local recording)
Main features:	<ul style="list-style-type: none"> • ICR - Movable InfraRed filter • Day/Night mode (color/b&w/auto) • WB - White Balance (ATW/AWB/manual/indoor/outdoor) • WDR - Wide Dynamic Range • F-DNR (Defog) - Reduction of image noise caused by precipitation • 3D-DNR - Digital Noise Reduction • Configurable Privacy Zones - 24 • BLC/HLC - Back Light / High Light Compensation • Audio detection • Sharpness - sharper image outlines • Mirror - Mirror image • IVS analysis - objects tracking
Power supply:	<ul style="list-style-type: none"> • PoE (802.3at), • 24 V AC / 3 A (power adapter included)
Housing:	Speed Dome Metal
Color:	White
Operation temp:	-40 °C ... 70 °C
"Index of Protection":	IP67
Weight:	7.27 kg (with bracket)
Dimensions:	240 x 350 mm x 435 mm (with bracket)
Supported languages:	English
Manufacturer / Brand:	DAHUA
Guarantee:	3 years



PRESENTATION

Bottom view:

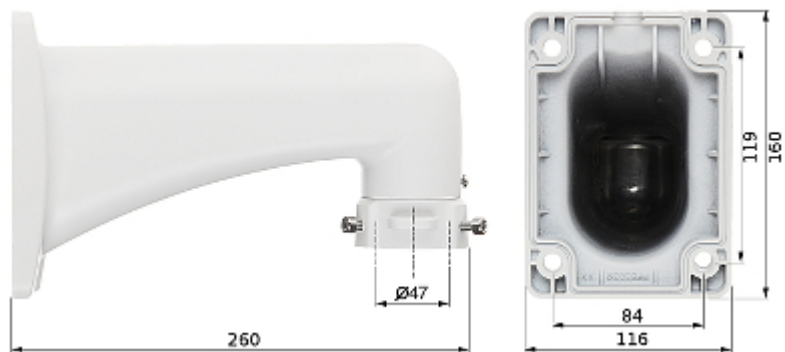


Memory card slot:



Camera connectors:





In the kit:



OUR TESTS

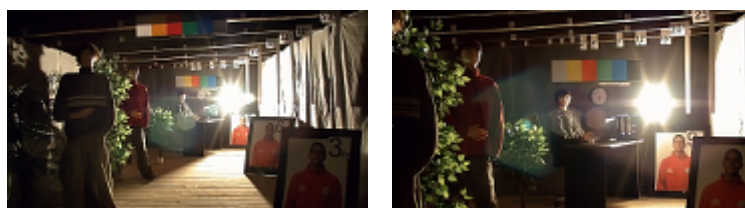
Camera image at artificial illumination (about 30Lux):



Camera image at night conditions with internal built-in IR illuminator on:



Camera image at direct strong light opposite to camera:



OUR OPINIONS

DELTA-OPTI Monika Matysiak; <https://www.delta.poznan.pl>
 POL; 60-713 Poznań; Graniczna 10
 e-mail: delta-opti@delta.poznan.pl; tel: +(48) 61 864 69 60



- Thanks to the "Starlight" technology used, the camera only needs very low lighting to obtain a clear color image.

PACKAGE

Dimensions (L x W x H): 0x0x0 mm	Gross Weight: 0 kg
----------------------------------	--------------------

