

Code: DS-2CE56H0T-VPITF(2.8MM)

# AHD, HD-CVI, HD-TVI, PAL VANDALPROOF CAMERA **DS-2CE56H0T-VPITF(2.8MM)** - 5 Mpx Hikvision

Net: **340.00 PLN** Gross: **340.00 PLN**



Megapixel camera with Progressive scan CMOS sensor and AHD / HD-CVI / HD-TVI / PAL.

The AHD / HD-CVI / HD-TVI interface allows to transmission of analog video signal via coaxial cable in 5 Mpx (AHD / HD-TVI) / 4 Mpx (HD-CVI) resolution. During transmission there are no delays and is maintained the original, high quality image. The change of the AHD / HD-CVI / HD-TVI / PAL standard is done with the corresponding button by keeping it pressed for approx. 5 seconds.

In the case of video transmission using a twisted pair cable and matching transformers (balun), be aware of the possibility of signal reflections and interfering signals. Camera is according to IP67 Index of Protection norm.

## SPECIFICATION

Standard:	AHD / HD-CVI / HD-TVI / PAL
Sensor:	Progressive Scan CMOS
Matrix size:	5 Mpx
Resolution:	<ul style="list-style-type: none"><li>• 2560 x 1944 - 5 Mpx @ AHD / HD-TVI,</li><li>• 2560 x 1440 - 4 Mpx @ AHD / HD-CVI / HD-TVI</li><li>• 1920 x 1080 - 1080p @ HD-TVI</li><li>• 960 x 576 - 960H @ PAL</li></ul>
Range of IR illumination:	20 m
IR illuminator power adjustment:	Automatic
Lens:	2.8 mm
View angle:	<ul style="list-style-type: none"><li>• 85 ° (manufacturer data)</li><li>• 82 ° (our tests result)</li></ul>
IR illuminator support:	ICR - Movable InfraRed filter
S/N ratio:	> 62 dB
Video output:	AHD / HD-CVI / HD-TVI / CVBS, 1 Vpp / 75 Ω
Main features:	<ul style="list-style-type: none"><li>• 2D-DNR - Digital Noise Reduction</li><li>• EXIR - high-efficiency infrared LEDs technology, which evenly covers the whole plan of both central vantage points of the scene as well as the corners</li><li>• AGC - Automatic Gain Control</li><li>• BLC - Back Light Compensation</li><li>• D-WDR - Wide Dynamic Range</li><li>• ICR - Movable InfraRed filter</li><li>• Auto White Balance</li><li>• Mirror - Mirror image</li><li>• Sharpness - sharper image outlines</li></ul>
OSD menu:	✓

Power supply:	12 V DC / 340 mA
Power consumption:	≤ 4.3 W
Housing:	Dome, Metal
"Index of Protection":	IP67
Vandal-proof:	IK10
Color:	White
Operation temp:	-40 °C ... 60 °C
Weight:	0.48 kg
Dimensions:	Ø 111 x 82 mm
Manufacturer / Brand:	Hikvision
SAP Code:	300611052
Guarantee:	<b>3 years</b>

## PRESENTATION

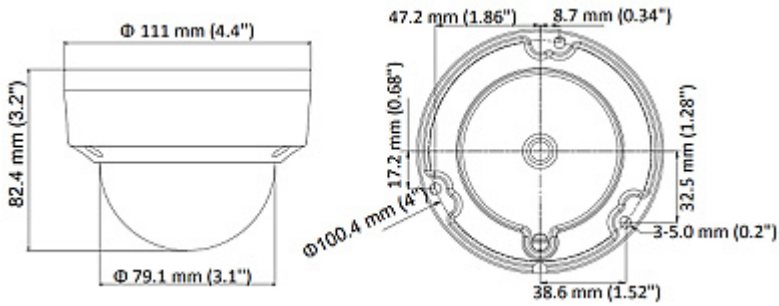
Camera is out from clamping ring:



Mounting side view:



Dimensions:



The change of the AHD / HD-CVI / HD-TVI / PAL standard is done with the corresponding button by keeping it pressed for approx. 5 seconds:



In the kit:



## OUR TESTS

AHD:

Camera image at artificial illumination (about 30Lux):



Camera image at night conditions with internal built-in IR illuminator on:



Camera image at direct strong light opposite to camera:



HD-CVI:

Camera image at artificial illumination (about 30Lux):



Camera image at night conditions with internal built-in IR illuminator on:



Camera image at direct strong light opposite to camera:



HD-TVI:

Camera image at artificial illumination (about 30Lux):



Camera image at night conditions with internal built-in IR illuminator on:



Camera image at direct strong light opposite to camera:



**PACKAGE**

Dimensions (L x W x H): 0x0x0 mm	Gross Weight: 0 kg
----------------------------------	--------------------

