

Code: HAC-HDW1500EM-A-0360B

# AHD, HD-CVI, HD-TVI, PAL VANDALPROOF CAMERA **HAC-HDW1500EM-A-0360B** - 5 Mpx 3.6 mm DAHUA

Net: **71.26 CHF** Gross: **71.26 CHF**



Megapixel camera with 1/2.7" CMOS sensor and AHD / HD-CVI / HD-TVI / PAL.

The AHD / HD-CVI / HD-TVI interface allows to transmission of analog video signal via coaxial cable in max. 8 Mpx (4K UHD) resolution. During transmission there are no delays and is maintained the original, high quality image.

Attention! The camera default setting is HD-CVI standard. To change the camera standard you need use the PFM820 controller, available separately.

In the case of video transmission using a twisted pair cable and matching transformers (balun), be aware of the possibility of signal reflections and interfering signals.

## SPECIFICATION

Standard:	AHD / HD-CVI / HD-TVI / PAL
Sensor:	1/2.7 " CMOS
Matrix size:	5 Mpx
Resolution:	2592 x 1944 - 5 Mpx @ 20 fps , 2560 x 1440 - 3.7 Mpx @ 25 fps , 1920 x 1080 - 1080p @ 25 fps 960 x 576 - 960H, CVBS
Range of IR illumination:	50 m
IR illuminator power adjustment:	Automatic
Lens:	3.6 mm, F2.0
View angle:	<ul style="list-style-type: none"><li>• 78 ° (manufacturer data)</li><li>• 76 ° (our tests result)</li></ul>
S/N ratio:	> 65 dB
Video output:	AHD / HD-CVI / HD-TVI / CVBS, 1 Vpp / 75 Ω
Audio:	<ul style="list-style-type: none"><li>• Microphone built-in</li><li>• Audio support via coaxial cable - HD-CVI only</li></ul>

Main features:	<ul style="list-style-type: none"> <li>• D-WDR - Wide Dynamic Range</li> <li>• 2D-DNR - Digital Noise Reduction</li> <li>• BLC - configurable Back Light Compensation</li> <li>• HLC - High Light Compensation (spot)</li> <li>• Anti-Flicker - The technology eliminates the tiring eyes flickering image effect</li> <li>• ICR - Movable InfraRed filter</li> <li>• Mirror - Mirror image</li> <li>• Auto White Balance</li> <li>• Sharpness - sharper image outlines</li> </ul>
OSD menu:	OSD menu available via DAHUA recorder
Power supply:	12 V DC / 240 mA
Power consumption:	≤ 4.2 W
Housing:	Dome, Aluminum
Color:	White
"Index of Protection":	IP67
Vandal-proof:	✓
Operation temp:	-40 °C ... 60 °C
Weight:	0.43 kg
Dimensions:	Ø 106 x 94 mm
Manufacturer / Brand:	DAHUA
Guarantee:	<b>3 years</b>

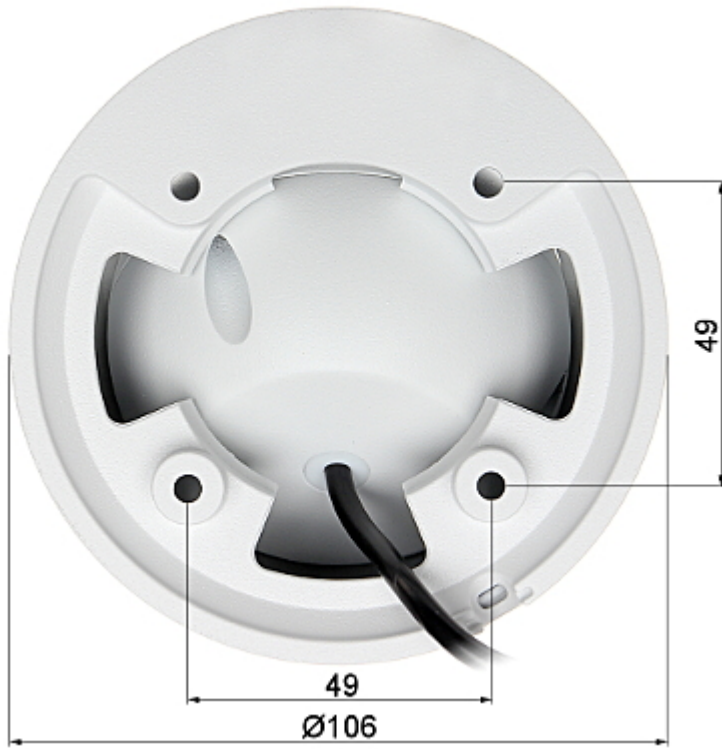
## PRESENTATION

Camera is out from clamping ring:



Dimensions:





In the kit:



## OUR TESTS

AHD:

Camera image at artificial illumination (about 30Lux):



Camera image at night conditions with internal built-in IR illuminator on:



Camera image at direct strong light opposite to camera:



HD-CVI:

Camera image at artificial illumination (about 30Lux):



Camera image at night conditions with internal built-in IR illuminator on:



Camera image at direct strong light opposite to camera:



HD-TVI:

Camera image at artificial illumination (about 30Lux):



Camera image at night conditions with internal built-in IR illuminator on:



Camera image at direct strong light opposite to camera:



**PACKAGE**

Dimensions (L x W x H): 0x0x0 mm	Gross Weight: 0 kg
----------------------------------	--------------------

