

Code: DS-2CE56H0T-ITZF(2.7-13.5MM)

AHD, HD-CVI, HD-TVI, CVBS CAMERA **DS-2CE56H0T-ITZF(2.7-13.5MM)** - 5 Mpx Hikvision

Net: **125.17 EUR** Gross: **125.17 EUR**



Megapixel camera with Progressive scan CMOS sensor and AHD / HD-CVI / HD-TVI / CVBS. The change of the AHD / HD-CVI / HD-TVI / CVBS standard is done with the corresponding button by keeping it pressed for approx. 5 seconds.

The AHD / HD-CVI / HD-TVI interface allows to transmission of analog video signal via coaxial cable in max. 8 Mpx (4K UHD) resolution. During transmission there are no delays and is maintained the original, high quality image.

Housing construction allows to mount the camera to the ceiling and the wall (image is right oriented in both cases).

In the case of video transmission using a twisted pair cable and matching transformers (balun), be aware of the possibility of signal reflections and interfering signals.

SPECIFICATION

Standard:	AHD, HD-CVI, HD-TVI, CVBS
Sensor:	Progressive Scan CMOS
Matrix size:	5 Mpx
Resolution:	2560 x 1944 - 5 Mpx @ 20 fps , 2560 x 1440 - 4 Mpx @ 25 fps, 30 fps , 1920 x 1080 - 1080p @ 25 fps, 30 fps
Range of IR illumination:	40 m
IR illuminator power adjustment:	Automatic
Lens:	2.7 ... 13.5 mm - Motozoom The camera does not have auto-focus function
View angle:	96 ° ... 29 °
Video output:	1 x AHD / HD-CVI / HD-TVI / CVBS - 1 Vpp / 75 Ω, BNC socket
Main features:	<ul style="list-style-type: none">• Motozoom lens• 2D-DNR - Digital Noise Reduction• D-WDR - Wide Dynamic Range• EXIR - high-efficiency infrared LEDs technology, which evenly covers the whole plan of both central vantage points of the scene as well as the corners• BLC - Back Light Compensation• AGC - Automatic Gain Control• ICR - Movable InfraRed filter• Mirror - Mirror image• Sharpness - sharper image outlines
OSD menu:	✓
Power supply:	12 V DC / 370 mA
Power consumption:	≤ 4.4 W

DELTA-OPTI Monika Matysiak; <https://www.delta.poznan.pl>
POL; 60-713 Poznań; Graniczna 10
e-mail: delta-opti@delta.poznan.pl; tel: +(48) 61 864 69 60

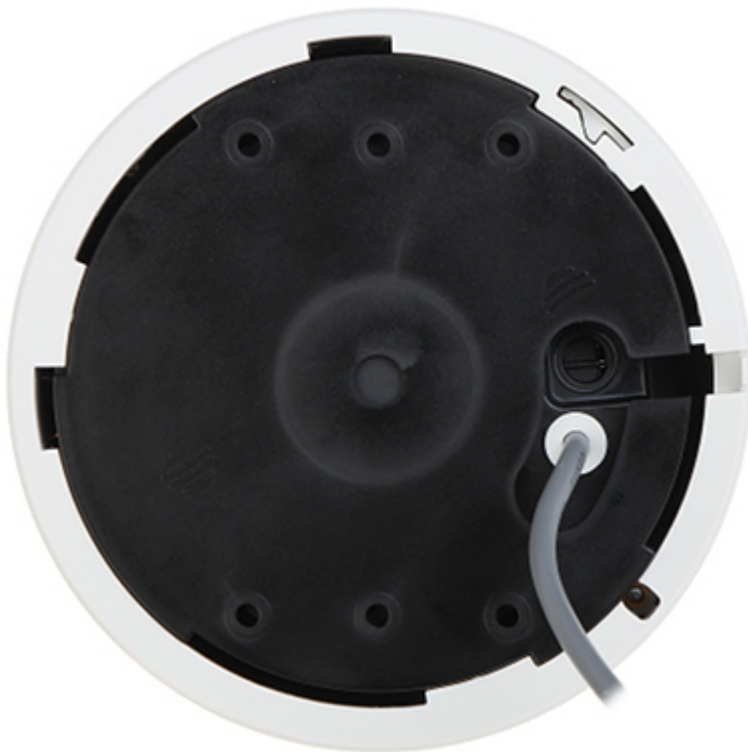
Housing:	Dome, Plastic
Color:	White
"Index of Protection":	IP20
Operation temp:	-40 °C ... 60 °C
Weight:	0.41 kg
Dimensions:	Ø 136 x 102 mm
Supported languages:	English
Country of origin:	China
Manufacturer / Brand:	Hikvision
SAP Code:	300611059
Guarantee:	3 years

PRESENTATION

Camera is out from clamping ring:

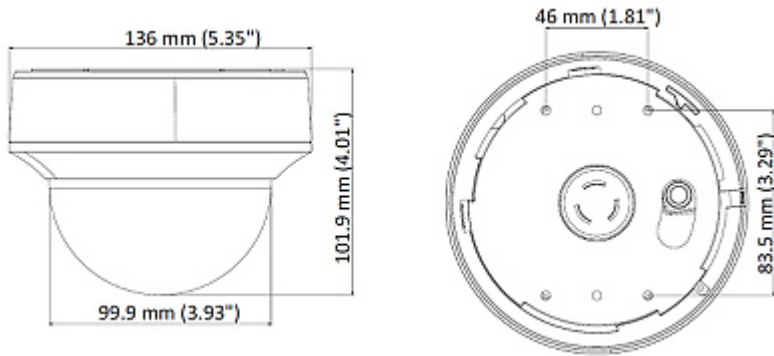


Camera mounting side view:



Dimensions:

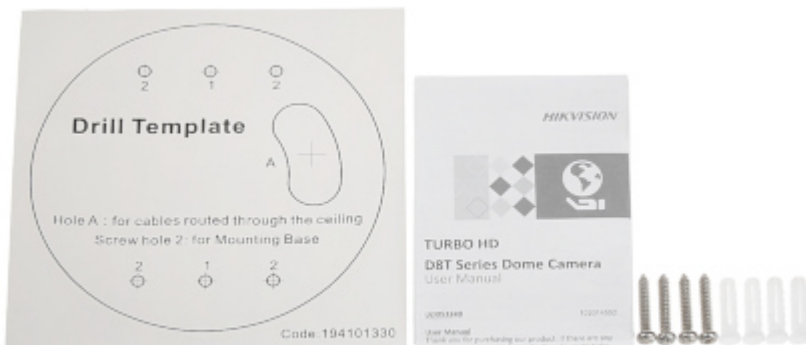
DELTA-OPTI Monika Matysiak; <https://www.delta.poznan.pl>
 POL; 60-713 Poznań; Graniczna 10
 e-mail: delta-opti@delta.poznan.pl; tel: +(48) 61 864 69 60



The change of the AHD / HD-CVI / HD-TVI / CVBS standard is done with the corresponding button by keeping it pressed for approx. 5 seconds:



In the kit:



OUR TESTS

AHD:

Camera image at artificial illumination (about 30Lux):



Camera image at night conditions with internal built-in IR illuminator on:

DELTA-OPTI Monika Matysiak; <https://www.delta.poznan.pl>
 POL; 60-713 Poznań; Graniczna 10
 e-mail: delta-opti@delta.poznan.pl; tel: +(48) 61 864 69 60

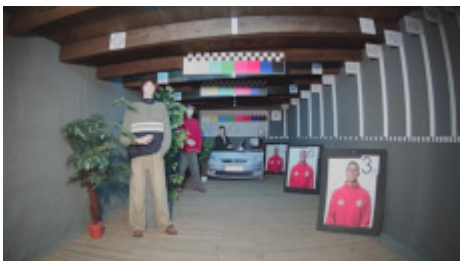


Camera image at direct strong light opposite to camera:



HD-CVI:

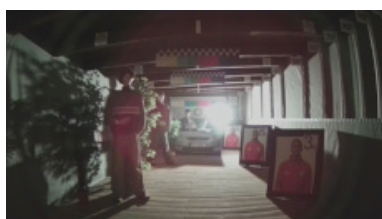
Camera image at artificial illumination (about 30Lux):



Camera image at night conditions with internal built-in IR illuminator on:

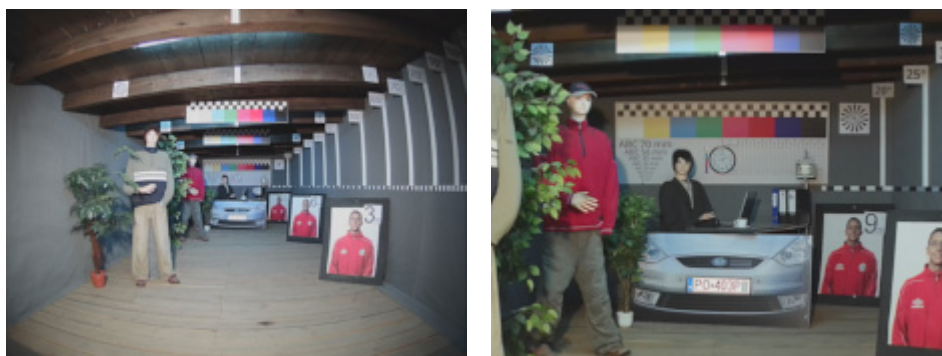


Camera image at direct strong light opposite to camera:



HD-TVI:

Camera image at artificial illumination (about 30Lux):



Camera image at night conditions with internal built-in IR illuminator on:



Camera image at direct strong light opposite to camera:



OUR OPINIONS



- The camera does not have auto-focus function.

PACKAGE

Dimensions (L x W x H): 0x0x0 mm	Gross Weight: 0 kg
----------------------------------	--------------------