

Code: VTH2622GW-W

INDOOR PANEL **VTH2622GW-W** IP / Wi-Fi / 2-Wire DAHUA

Net: **251.74 EUR** Gross: **251.74 EUR**

The VTH2622GW-W panel has been designed to create a simple and effective system of local communication.

The device works with video doorphones, and other DAHUA panels. It can be also used as simple alarm control panel, or notification module by the support 6 alarm inputs.

Attention! The device does not support PoE, so if you want to connect it via the RJ-45 port, you should take care of the external DC 48V power supply. When selecting 2-wire devices, check the compatibility list available at the bottom of the page in the "files" section.

It is a hybrid module - it can work in a 2-Wire installation or as a standard IP / Wi-Fi video doorphone.



SPECIFICATION

Compatibility:	DAHUA
Shield:	7 " capacitive touch screen
Resolution:	1024 x 600
Internal memory:	—
Memory card slot:	—
Main features:	<ul style="list-style-type: none">• Wi-Fi Module - 2.4 GHz IEEE 802.11 b/g/n,• Protections : WEP 64/128-bit, WPA/WPA2, WPA-PSK/WPA2-PSK,• Echo suppression and reduction / digital noise reduction,• DND mode,• SOS support,• Microphone built-in,• Speakers built-in,• Bidirectional communication,• Smooth adjustment of monitor parameters: image brightness, ring tone volume and conversation volume,• The ability to automatically take and save photos if you do not answer to the bell button,• The ability to record a short video message in the absence of a response to the bell button,• IP Dahua cameras support ,
Controlling:	capacitive touch screen
Alarm inputs:	6 (1 - as a bell)
Alarm outputs:	1
Power supply:	<ul style="list-style-type: none">• 2-Wire IP interface• 48 V / 1.25 A

DELTA-OPTI Monika Matysiak; <https://www.delta.poznan.pl>
POL; 60-713 Poznań; Graniczna 10
e-mail: delta-opti@delta.poznan.pl; tel: +(48) 61 864 69 60

Power consumption:	≤ 6 W (operation) ≤ 2 W (standby)
Operation temp:	-10 °C ... 55 °C
Color:	White
Weight:	0.33 kg
Dimensions:	190 x 135 x 26 mm
Supported languages:	Polish, English
Manufacturer / Brand:	DAHUA
Guarantee:	3 years

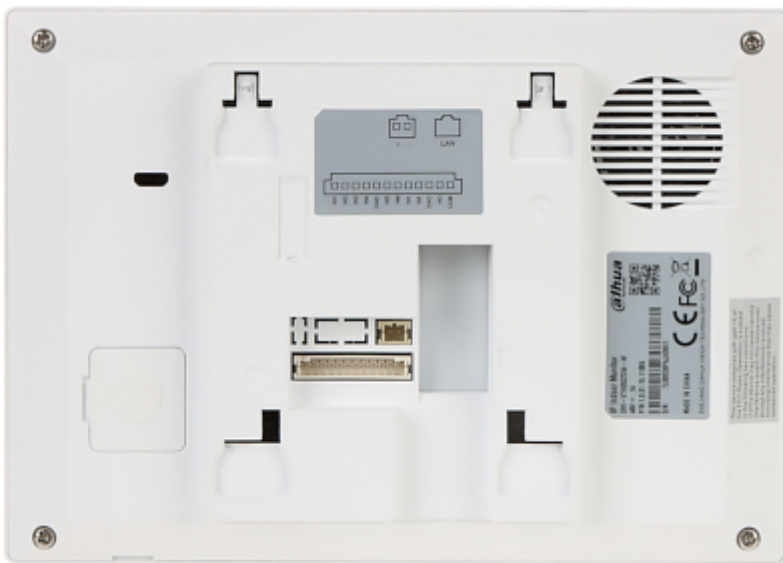
PRESENTATION

Front view:



Rear view:





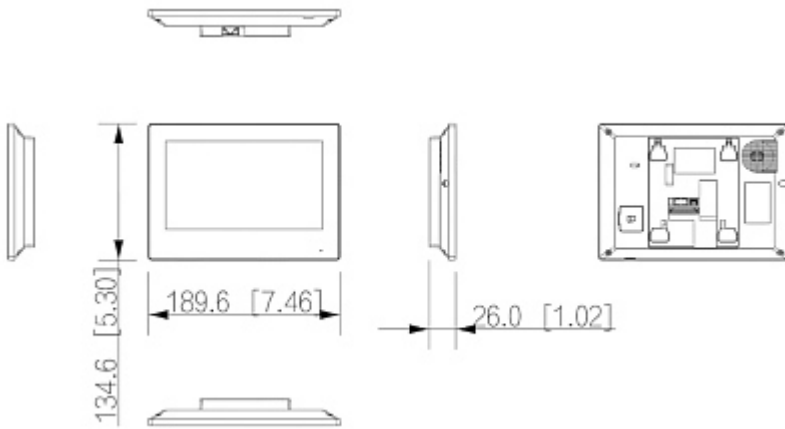
Bottom view:



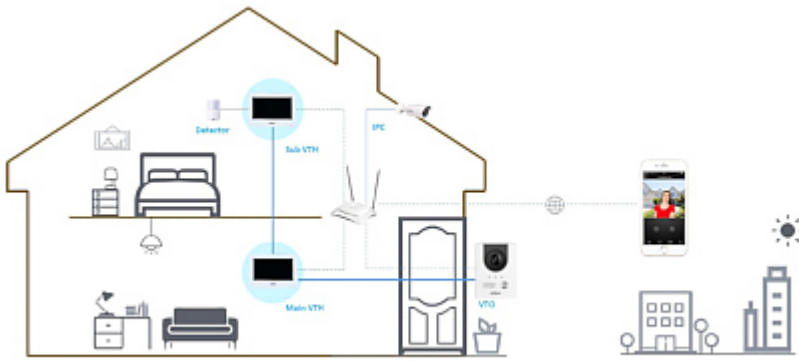
Side view:



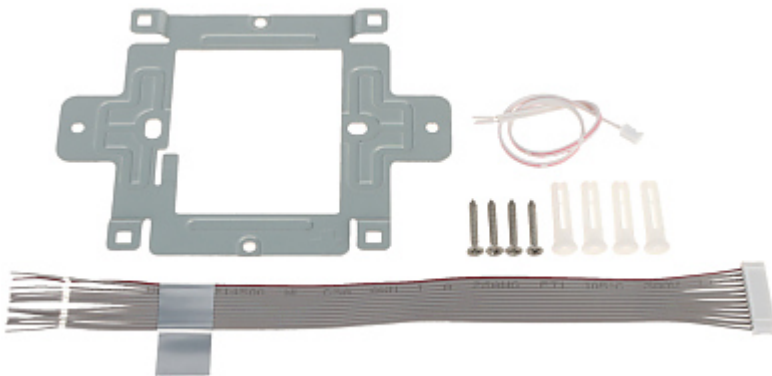
Dimensions:



Schematic diagram:



In the kit:



PACKAGE

Dimensions (L x W x H): 0x0x0 mm	Gross Weight: 0 kg
----------------------------------	--------------------