

Code: VTH2611L-WP

INDOOR PANEL **VTH2611L-WP** Wi-Fi / IP DAHUA

Net: **129.45 USD** Gross: **129.45 USD**



The VTH2611L-WP panel has been designed to create a simple and effective system of local communication.

The device works with video doorphones, and other DAHUA panels. It can be also used as simple alarm control panel, or notification module by the support 4 alarm inputs.

SPECIFICATION

Compatibility:	DAHUA
Shield:	4.3 " capacitive touch screen
Resolution:	480 x 272
Internal memory:	—
Memory card slot:	—
Main features:	<ul style="list-style-type: none">• Wi-Fi Module - 2.4 GHz IEEE 802.11 b/g/n,• IP Dahua cameras support,• Microphone built-in,• Speaker built-in,• Bidirectional communication,• Echo suppression and reduction / digital noise reduction,• Receive and view the published information from the management center,• DND mode ,
Controlling:	capacitive touch screen
Alarm inputs:	4
Alarm outputs:	1
Power supply:	<ul style="list-style-type: none">• PoE (802.3af/at),• 12 V DC / 1 A
Power consumption:	<ul style="list-style-type: none">• ≤ 6 W (operation)• ≤ 4 W (standby)
Operation temp:	-10 °C ... 55 °C
Color:	White

DELTA-OPTI Monika Matysiak; <https://www.delta.poznan.pl>
POL; 60-713 Poznań; Graniczna 10
e-mail: delta-opti@delta.poznan.pl; tel: +(48) 61 864 69 60

Weight:	0.2 kg
Dimensions:	140 x 136 x 26 mm
Supported languages:	Polish, English
Manufacturer / Brand:	DAHUA
Guarantee:	3 years

PRESENTATION

Front view:



Rear view:



DELTA-OPTI Monika Matysiak; <https://www.delta.poznan.pl>
POL; 60-713 Poznań; Graniczna 10
e-mail: delta-opti@delta.poznan.pl; tel: +(48) 61 864 69 60



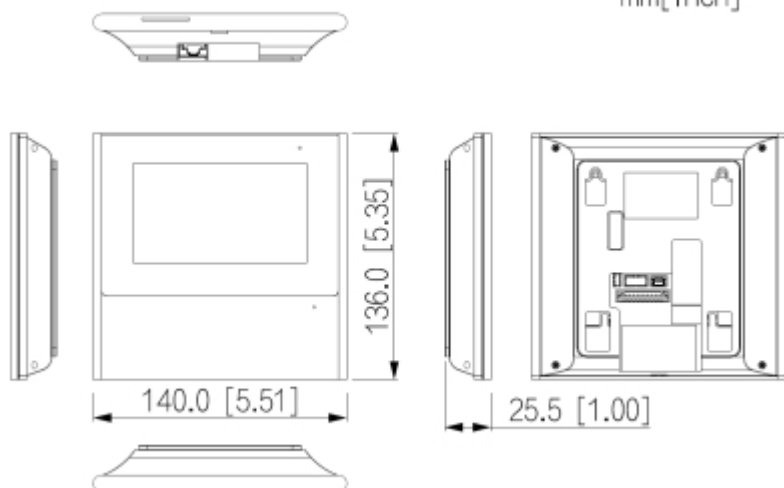
Connectors:



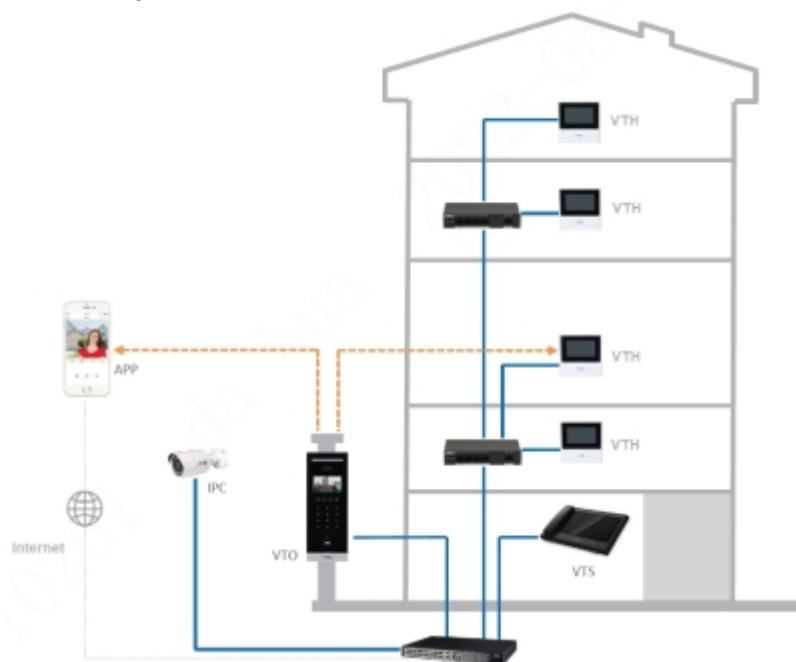
Dimensions:



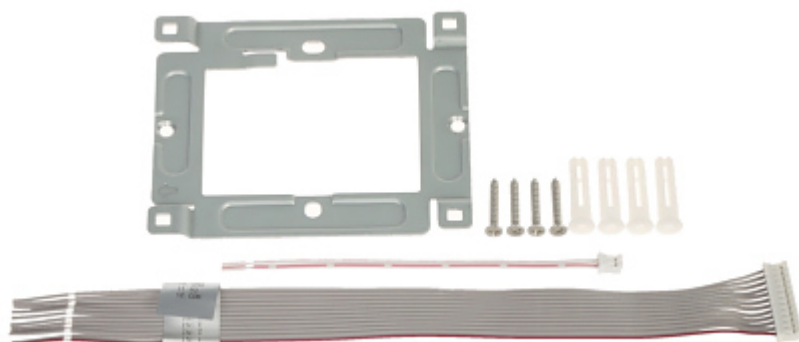
mm[inch]



Schematic diagram:



In the kit:



PACKAGE

Dimensions (L x W x H): 0x0x0 mm	Gross Weight: 0 kg
----------------------------------	--------------------

DELTA-OPTI Monika Matysiak; <https://www.delta.poznan.pl>
POL; 60-713 Poznań; Graniczna 10
e-mail: delta-opti@delta.poznan.pl; tel: +(48) 61 864 69 60