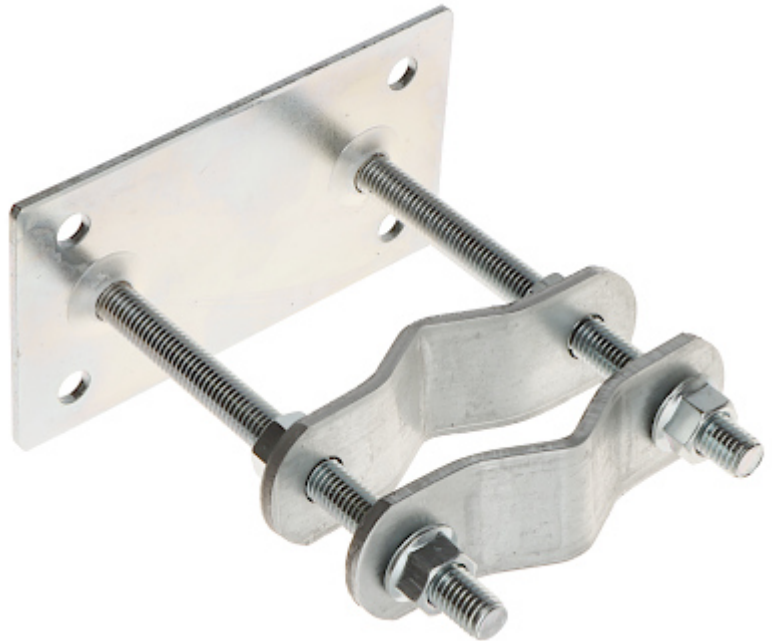


Code: OMK-50

WALL BRACKET **OMK-50**

Net: **7.33 USD** Gross: **7.33 USD**

Clamp to rafter or wall mounting.

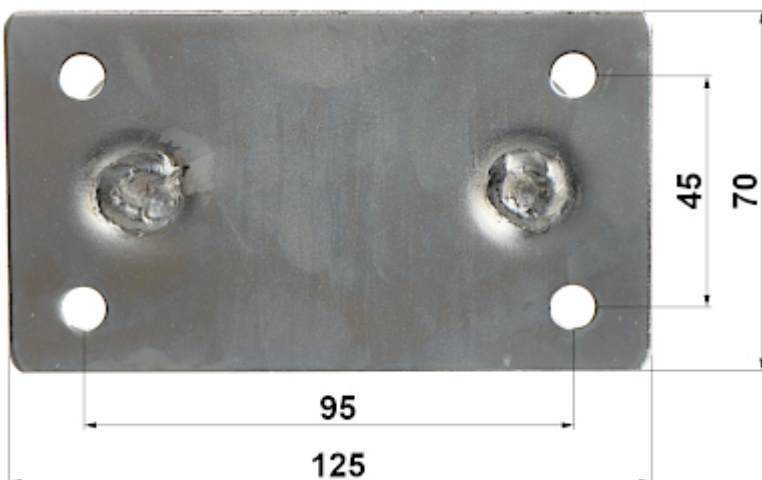


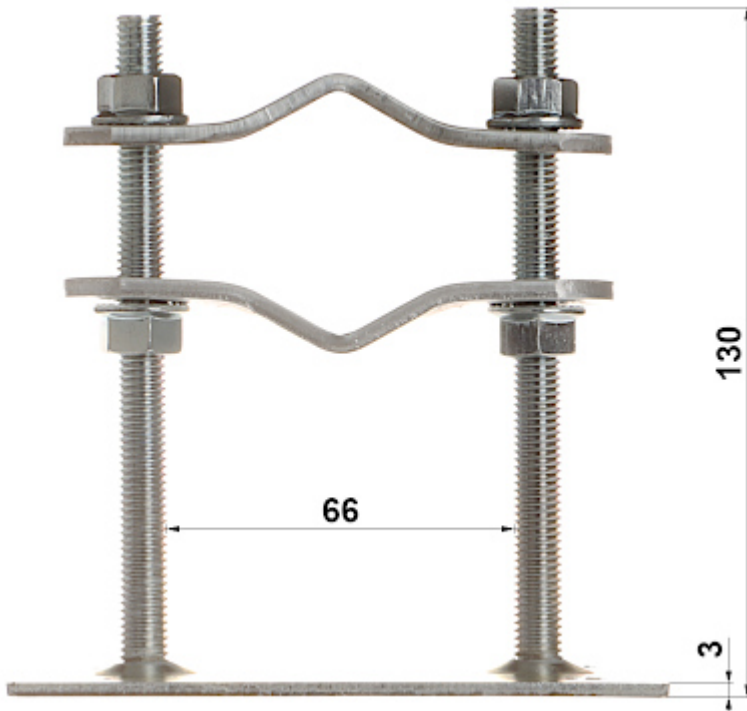
SPECIFICATION

Material:	Metal
Mast diameter:	max. 65 mm
Distance from tube to the wall:	max. 95 mm
Mount:	4 x Mounting holes \varnothing 8 mm
Manufacturer / Brand:	DELTA
Guarantee:	3 years

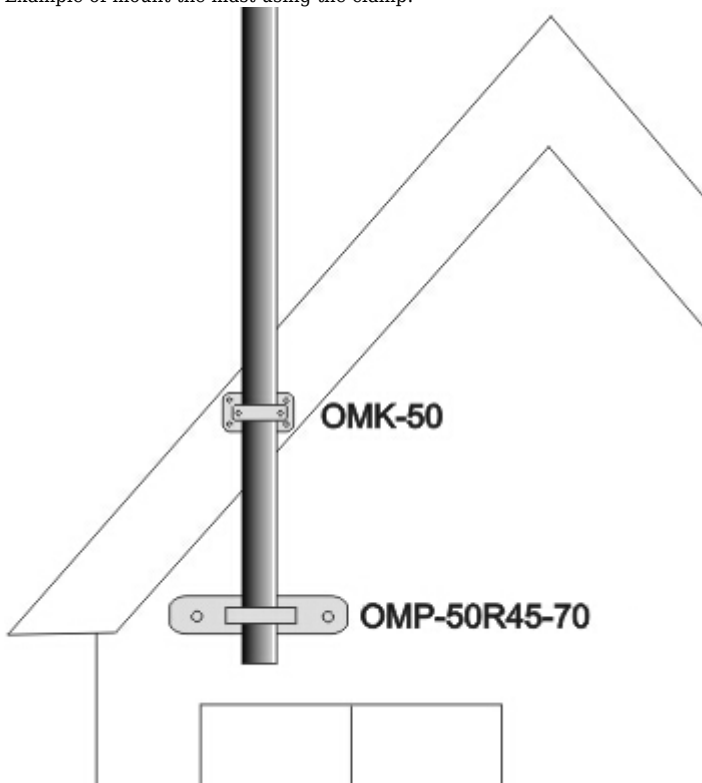
PRESENTATION

Dimensions:





Example of mount the mast using the clamp:



PACKAGE

Dimensions (L x W x H): 0x0x0 mm	Gross Weight: 0 kg
----------------------------------	--------------------

